



US00D684926S

(12) **United States Design Patent**
Murchison et al.

(10) **Patent No.:** **US D684,926 S**

(45) **Date of Patent:** **** Jun. 25, 2013**

- (54) **BATTERY CHARGER**
- (71) Applicant: **Research In Motion Limited**, Waterloo (CA)
- (72) Inventors: **Ian James Murchison**, Toronto (CA);
Anders Fahrendorff, Ottawa (CA);
Rohan Siddhartha Thakar, Ottawa (CA)

D483,725 S *	12/2003	Thompson et al.	D13/184
D565,571 S *	4/2008	Trifilio et al.	D14/434
D612,329 S *	3/2010	Guccione et al.	D13/108
D631,051 S *	1/2011	DeFronzo	D14/434
D639,736 S *	6/2011	Su	D13/110
D657,308 S *	4/2012	Fahrendorff et al.	D13/107
D661,248 S *	6/2012	Fahrendorff et al.	D13/107
D661,249 S *	6/2012	Smith et al.	D13/110
D662,878 S *	7/2012	Fahrendorff et al.	D13/107
D666,148 S *	8/2012	Inaba	D13/119

- (73) Assignee: **Research In Motion Limited**, Waterloo, Ontario (CA)
- (**) Term: **14 Years**

* cited by examiner

Primary Examiner — Rosemary K Tarcza

(21) Appl. No.: **29/434,867**

(57) **CLAIM**

We claim the ornamental design for a battery charger, as shown and described.

(22) Filed: **Oct. 17, 2012**

DESCRIPTION

(51) **LOC (9) Cl.** **13-02**

FIG. 1 is a front perspective view of a battery charger;
 FIG. 2 is a back bottom perspective view of the battery charger;
 FIG. 3 is a top plan view thereof;
 FIG. 4 is a bottom plan view thereof;
 FIG. 5 is a front elevational view thereof;
 FIG. 6 is a back elevational view thereof;
 FIG. 7 is a left elevational view thereof; and,
 FIG. 8 is a right elevational view thereof.

(52) **U.S. Cl.** **D13/107**
USPC

(58) **Field of Classification Search**
USPC D13/107–110, 118–119, 184, 199; D14/251, D14/253, 432, 434; 320/107–115
See application file for complete search history.

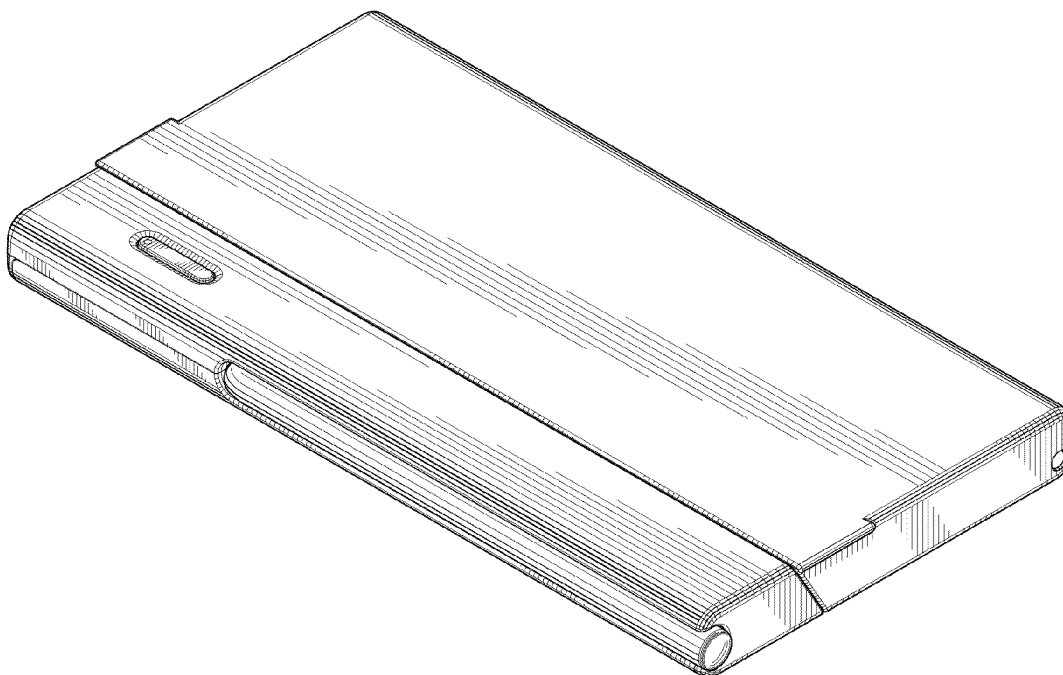
The broken lines shown in the drawings of the battery charger are for illustrating portions of the article and form no part of the claimed design.

(56) **References Cited**

U.S. PATENT DOCUMENTS

D331,573 S *	12/1992	Iino	D14/434
D360,413 S *	7/1995	Kawazoe et al.	D14/125
D368,429 S *	4/1996	Serio, Jr.	D9/431

1 Claim, 4 Drawing Sheets



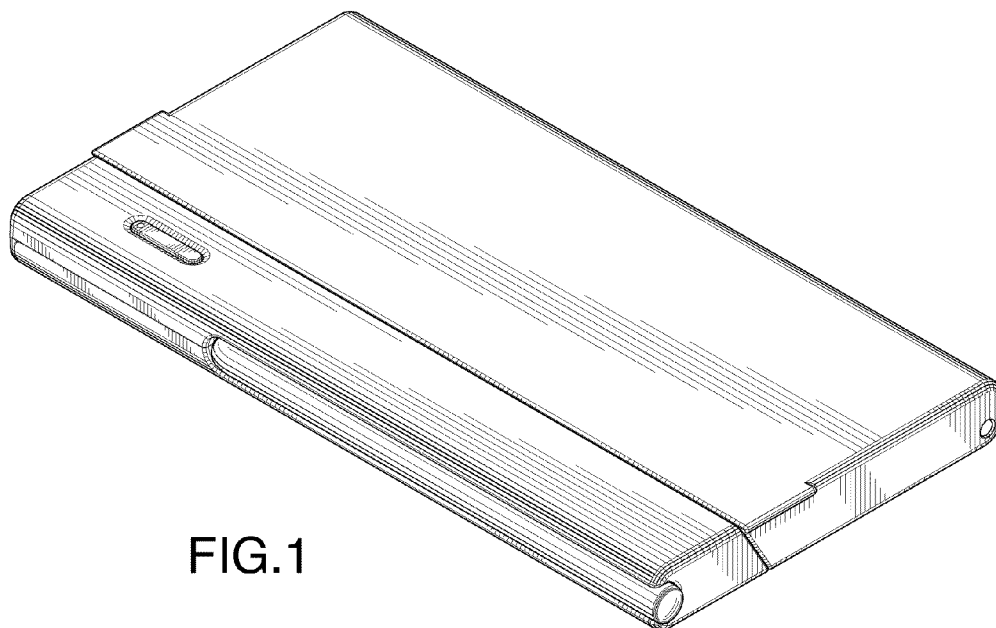


FIG. 1

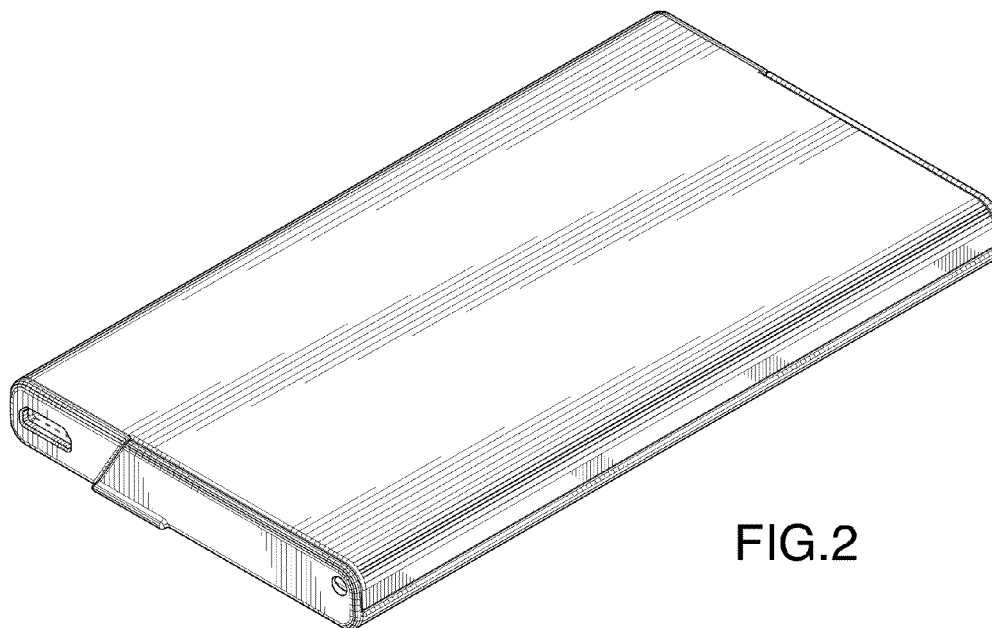


FIG. 2

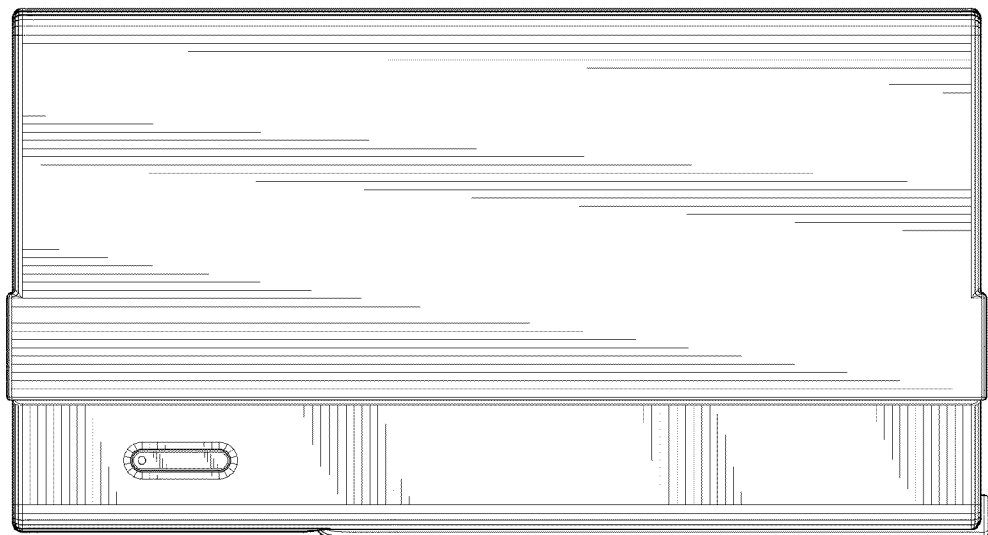


FIG. 4

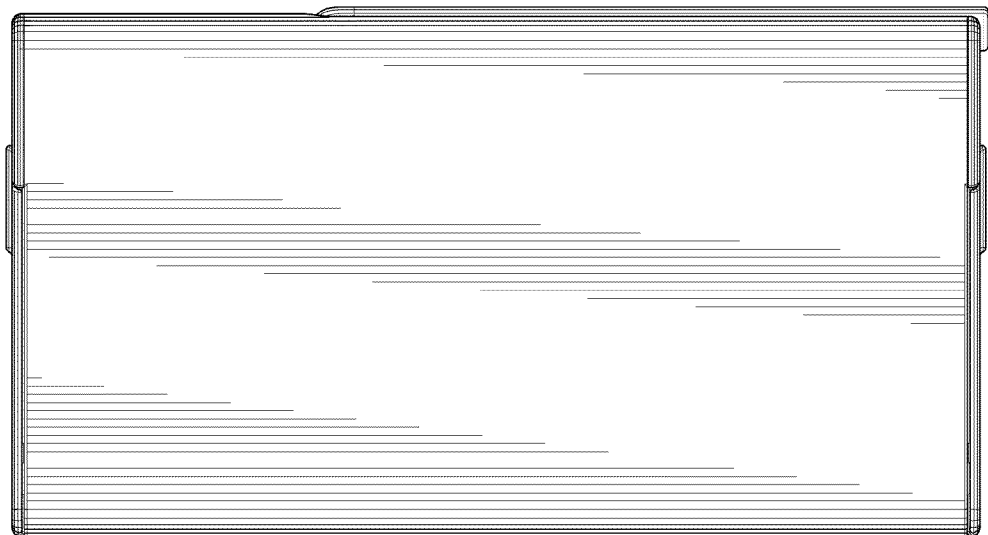


FIG. 3



FIG.5

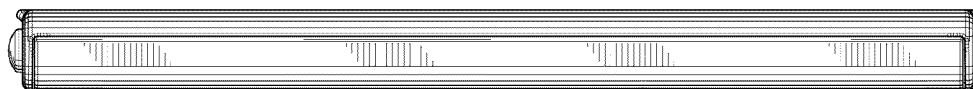


FIG.6

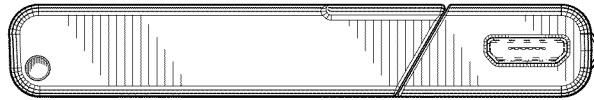


FIG. 7

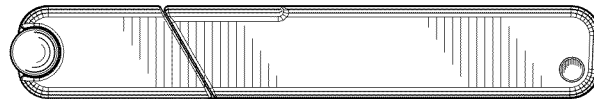


FIG. 8