

(12) **United States Design Patent**
Verri et al.

(10) **Patent No.:** **US D734,467 S**
(45) **Date of Patent:** **** Jul. 14, 2015**

(54) **BLOOD FILTER**

(71) Applicant: **FENWAL, INC.**, Lake Zurich, IL (US)

(72) Inventors: **Paolo Verri**, Carpi (IT); **Daniel Lynn**,
Spring Grove, IL (US)

(73) Assignee: **Fenwal, Inc.**, Lake Zurich, IL (US)

(**) Term: **14 Years**

(21) Appl. No.: **29/485,845**

(22) Filed: **Mar. 24, 2014**

(51) **LOC (10) Cl.** **24-00**

(52) **U.S. Cl.**
USPC **D24/162**

(58) **Field of Classification Search**

USPC D24/162, 216, 110.4, 110.1, 110, 110.6,
D24/164; 128/201.25, 206.15, 206.17,
128/206.16; D23/209, 365
CPC A62B 17/04; A62B 18/10; A62B 23/02;
A61M 16/0497

See application file for complete search history.

(56) **References Cited**

U.S. PATENT DOCUMENTS

4,746,436 A 5/1988 Kopp et al.
5,456,845 A 10/1995 Nishimura et al.

(Continued)

Primary Examiner — Holly Baynham

Assistant Examiner — Rhea Shields

(74) *Attorney, Agent, or Firm* — Cook Alex Ltd.

(57) **CLAIM**

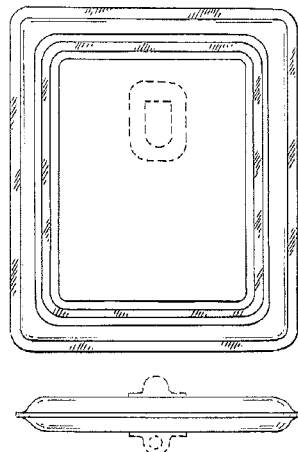
The ornamental design for the blood filter, as shown and described.

DESCRIPTION

FIG. 1 is a front view of a first embodiment of a blood filter showing our new design;

FIG. 2 is a top view of the blood filter of FIG. 1; FIG. 3 is a left side view of the blood filter of FIG. 1; FIG. 4 is a right side view of the blood filter of FIG. 1; FIG. 5 is a bottom view of the blood filter of FIG. 1; FIG. 6 is a rear view of the blood filter of FIG. 1; FIG. 7 is a front view of a second embodiment of a blood filter showing our new design; FIG. 8 is a top view of the blood filter of FIG. 7; FIG. 9 is a left side view of the blood filter of FIG. 7; FIG. 10 is a right side view of the blood filter of FIG. 7; FIG. 11 is a bottom view of the blood filter of FIG. 7; FIG. 12 is a rear view of the blood filter of FIG. 7; FIG. 13 is a front view of a third embodiment of a blood filter showing our new design; FIG. 14 is a left side view of the blood filter of FIG. 13, the right side view being a mirror image; FIG. 15 is a top view of the blood filter of FIG. 13, the bottom view being a mirror image; FIG. 16 is a rear view of the blood filter of FIG. 13; FIG. 17 is a front view of a fourth embodiment of a blood filter showing our new design; FIG. 18 is a left side view of the blood filter of FIG. 17, the right side view being a mirror image; FIG. 19 is a top view of the blood filter of FIG. 17, the bottom view being a mirror image; FIG. 20 is a rear view of the blood filter of FIG. 17; FIG. 21 is a front view of a fifth embodiment of a blood filter showing our new design; FIG. 22 is a left side view of the blood filter of FIG. 21, the right side view being a mirror image; FIG. 23 is a top view of the blood filter of FIG. 21; the bottom view being a mirror image; FIG. 24 is a rear view of the blood filter of FIG. 21; FIG. 25 is a front view of a sixth embodiment of a blood filter showing our new design; FIG. 26 is a left side view of the blood filter of FIG. 25, the right side view being a mirror image; FIG. 27 is a top view of the blood filter of FIG. 25; the bottom view being a mirror image; and, FIG. 28 is a rear view of the blood filter of FIG. 25. In the drawings, the broken are for the purpose of illustrating environment only and form no part of the claimed design.

1 Claim, 6 Drawing Sheets



(56)

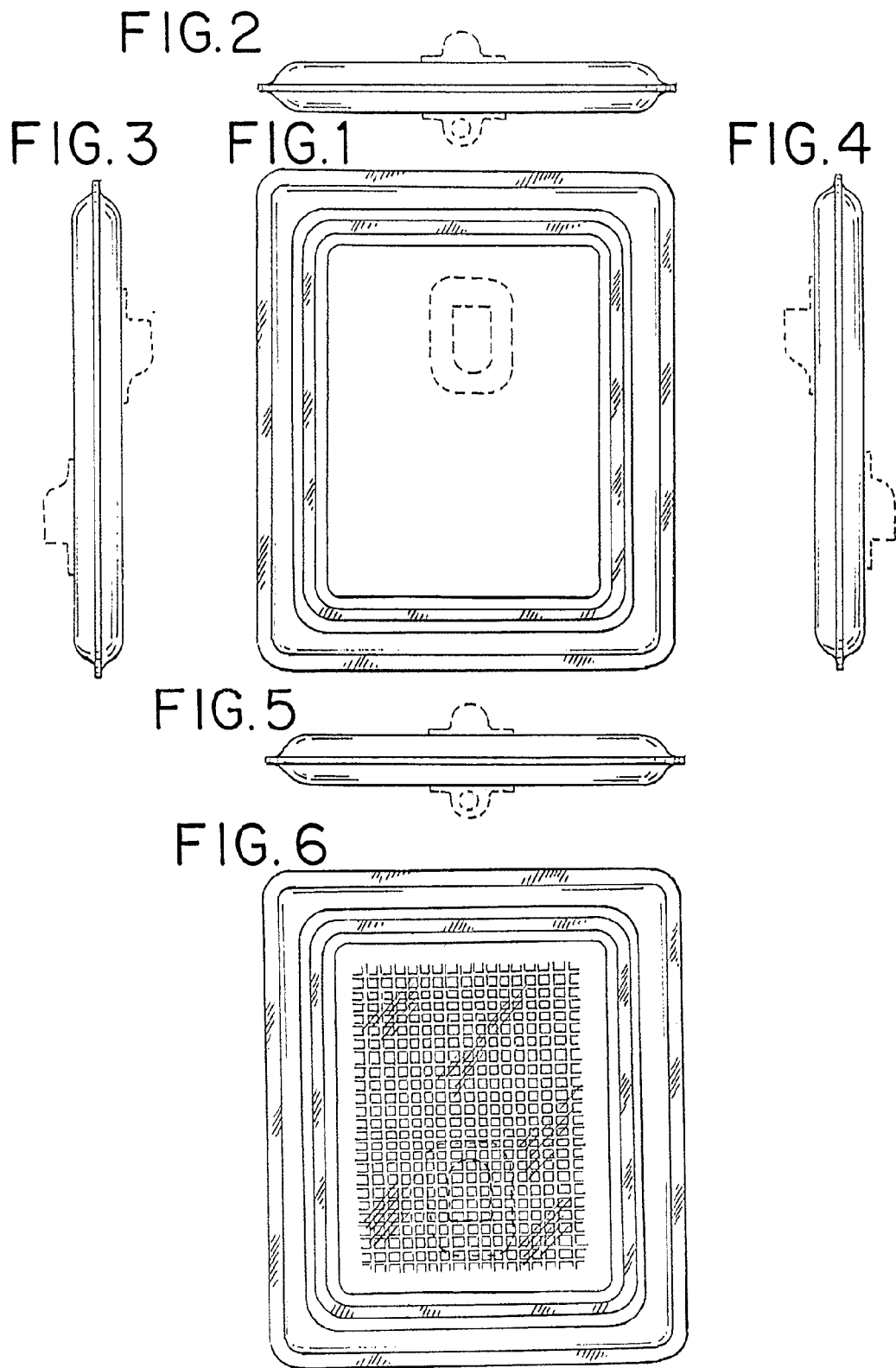
References Cited

U.S. PATENT DOCUMENTS

5,543,062 A 8/1996 Nishimura
 5,591,337 A 1/1997 Lynn et al.
 5,772,880 A 6/1998 Lynn et al.
 6,032,807 A 3/2000 Sternberg et al.
 6,189,704 B1 2/2001 Dennehey et al.
 6,221,264 B1 4/2001 Ishida et al.
 6,367,634 B1 4/2002 Lynn et al.
 6,422,397 B1 7/2002 Lynn et al.
 D463,027 S * 9/2002 Drocourt et al. D24/162
 D472,636 S * 4/2003 Haynes D24/162
 D475,461 S * 6/2003 Takagi et al. D24/162
 6,601,710 B2 8/2003 Calhoun et al.
 6,612,447 B1 9/2003 Breillatt, Jr. et al.
 6,669,905 B1 12/2003 Mathias et al.
 6,688,476 B2 2/2004 Breillatt, Jr. et al.
 6,709,412 B2 3/2004 Vandlik et al.
 6,745,902 B2 6/2004 Lynn et al.
 6,824,688 B2 11/2004 Breillatt, Jr. et al.
 6,875,191 B2 4/2005 Smith et al.
 7,278,541 B2 10/2007 Breillatt, Jr. et al.
 7,332,096 B2 2/2008 Blickhan
 7,353,956 B2 4/2008 Lynn et al.
 7,357,897 B2 4/2008 Smith et al.
 7,517,333 B2 4/2009 Vandlik et al.
 D602,558 S * 10/2009 Beams et al. D23/209
 7,641,794 B2 1/2010 Oka et al.
 D620,075 S * 7/2010 Yamaguchi et al. D23/209

D634,429 S * 3/2011 Nordgren et al. D24/164
 D636,878 S * 4/2011 Lee D24/162
 D681,816 S * 5/2013 Taylor et al. D24/162
 D690,813 S * 10/2013 Bizzell et al. D24/162
 D692,556 S * 10/2013 Winter D24/110.6
 D693,467 S * 11/2013 Doucette et al. D24/162
 8,647,515 B2 2/2014 Yokomizo et al.
 D717,462 S * 11/2014 Wainwright et al. D24/216
 2002/0113003 A1 8/2002 Lynn et al.
 2003/0209479 A1 11/2003 Lynn et al.
 2004/0154974 A1 8/2004 Breillatt, Jr. et al.
 2007/0199897 A1 8/2007 Ozeki et al.
 2008/0110829 A1 5/2008 Kobayashi
 2009/0173685 A1 7/2009 Imai et al.
 2009/0194489 A1 8/2009 Vandlik et al.
 2010/0084332 A1 4/2010 Lynn et al.
 2011/0240549 A1 10/2011 Andou et al.
 2012/0067810 A1 3/2012 Yokomizo et al.
 2012/0067811 A1 3/2012 Yokomizo et al.
 2012/0160763 A1 6/2012 Yokomizo et al.
 2012/0165176 A1 6/2012 Andou
 2013/0092319 A1 4/2013 Lynn et al.
 2013/0153482 A1 6/2013 Gibbs et al.
 2014/0144832 A1 5/2014 Yokomizo et al.
 2014/0209528 A1 * 7/2014 Eleftherakis et al. 210/335
 2014/0291227 A1 * 10/2014 Ducoroy et al. 210/257.1
 2014/0367324 A1 * 12/2014 Mizobuchi et al. 210/435
 2015/0001147 A1 * 1/2015 Leuthold et al. 210/335
 2015/0041387 A1 * 2/2015 McKenzie 210/435

* cited by examiner



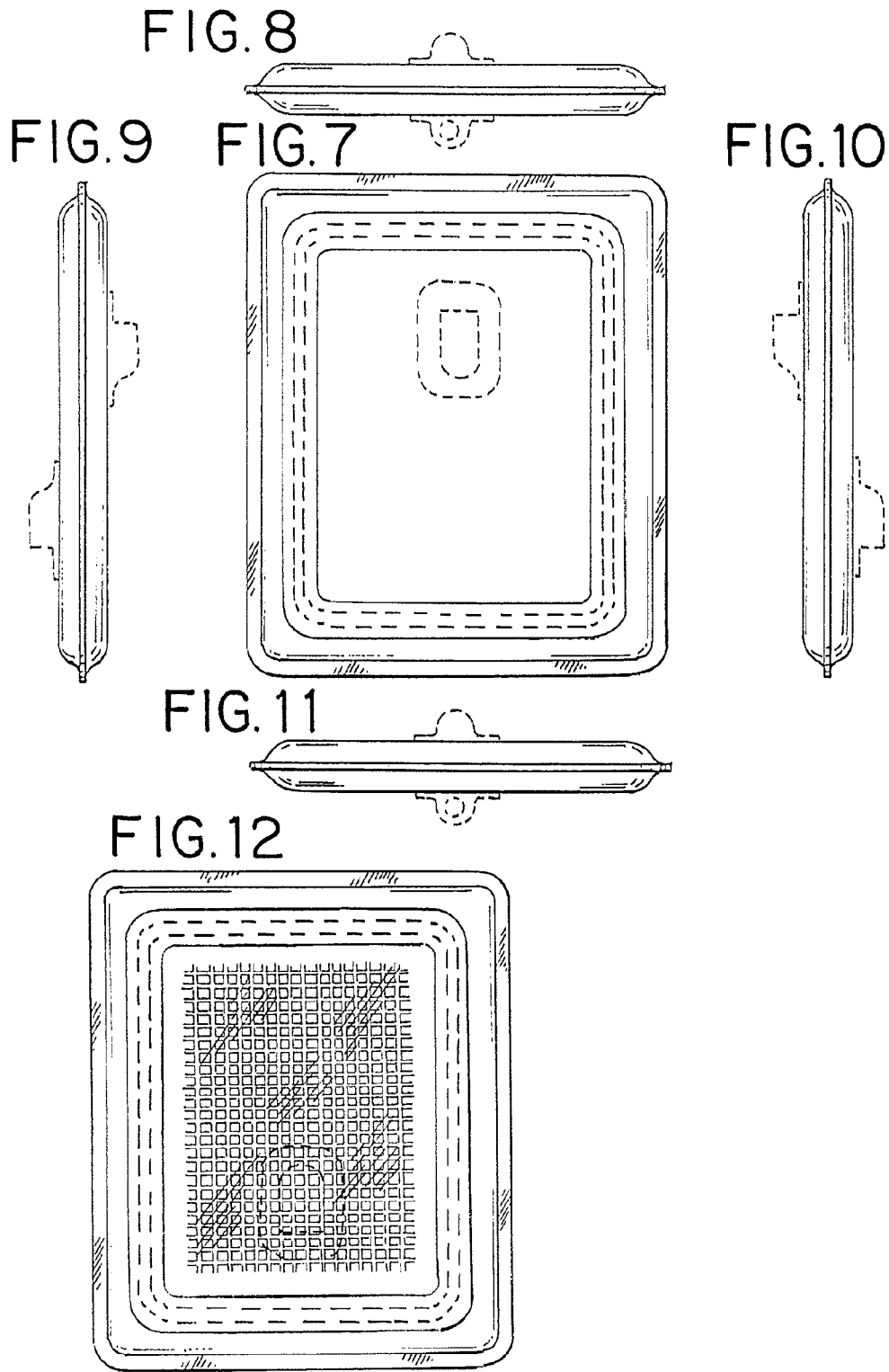


FIG. 14



FIG. 13

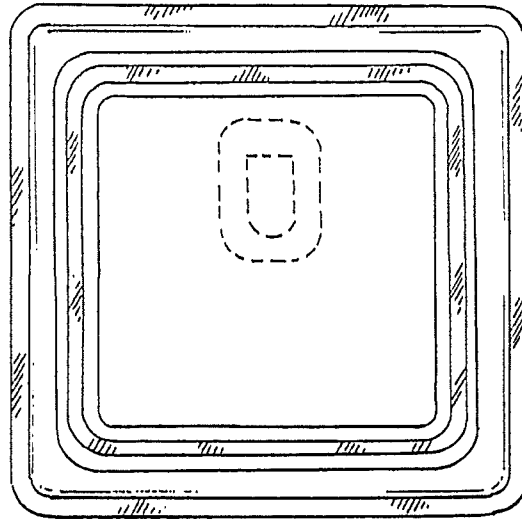


FIG. 15

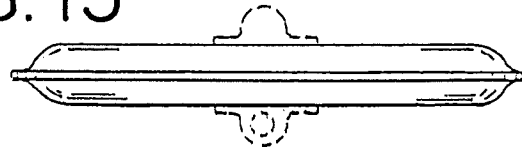


FIG. 16

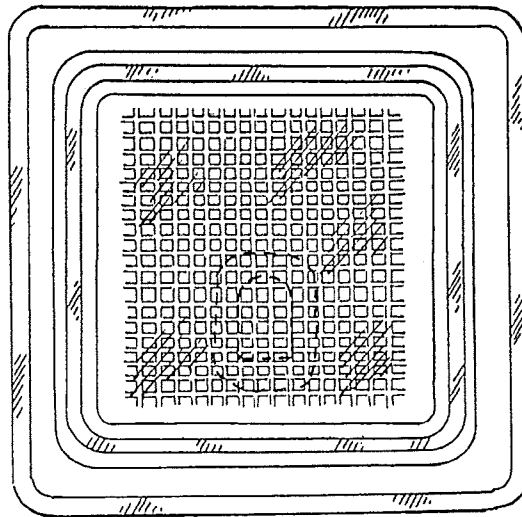


FIG. 18

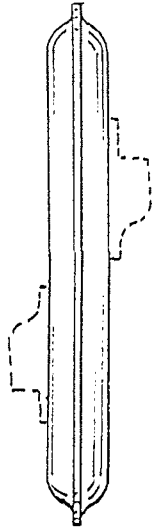


FIG. 17

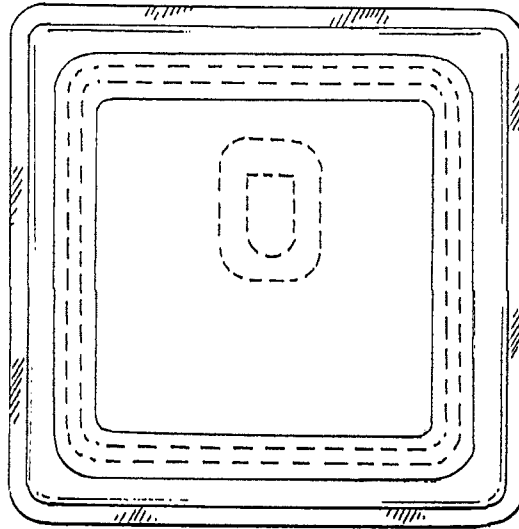


FIG. 19

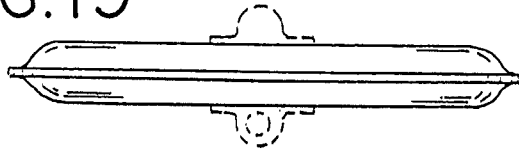


FIG. 20

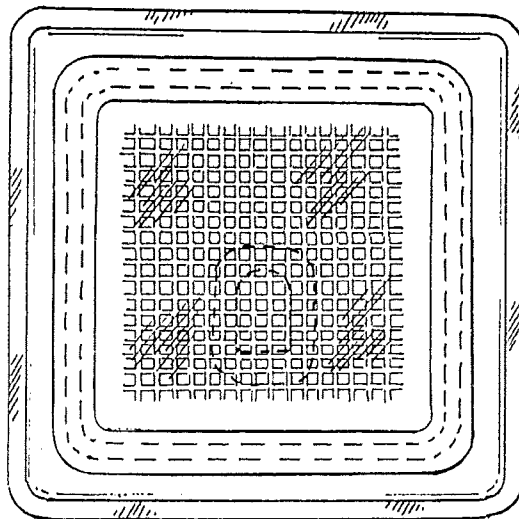


FIG. 22

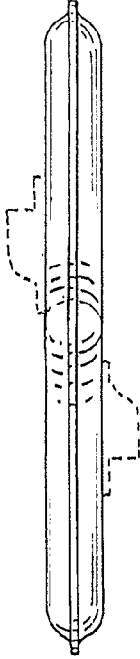


FIG. 21

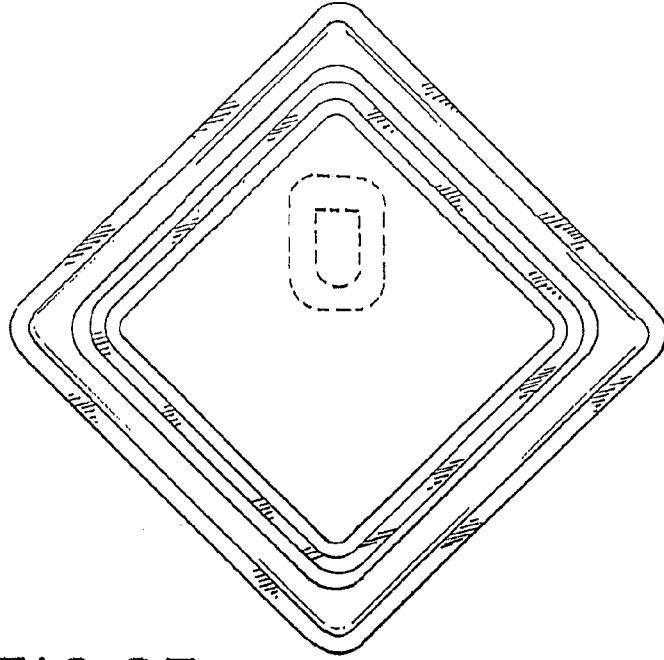


FIG. 23

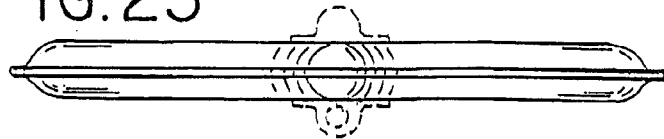


FIG. 24

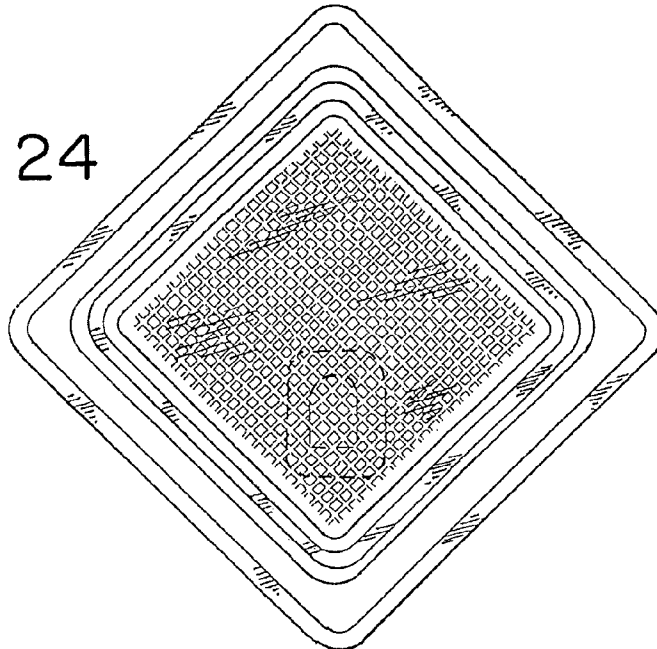


FIG. 26

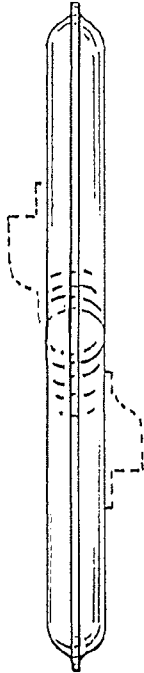


FIG. 25

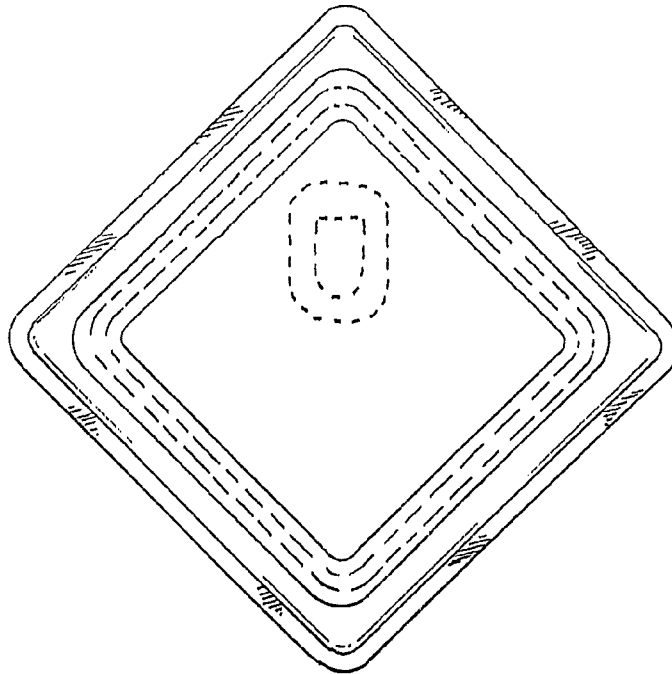


FIG. 27

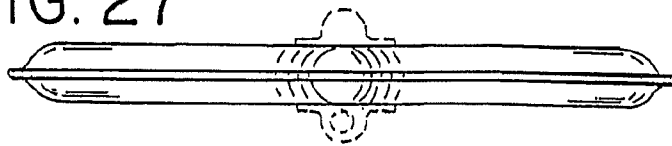


FIG. 28

