



US00D765063S

(12) **United States Design Patent**
Wengreen

(10) **Patent No.:** **US D765,063 S**

(45) **Date of Patent:** **** Aug. 30, 2016**

(54) **MOUNT FOR ELECTRONIC DEVICES**

(71) Applicant: **Innovelis, Inc.**, Sammamish, WA (US)

(72) Inventor: **Eric John Wengreen**, Sammamish, WA (US)

(73) Assignee: **Innovelis, Inc.**, Sammamish, WA (US)

(**) Term: **14 Years**

(21) Appl. No.: **29/526,129**

(22) Filed: **May 6, 2015**

(51) **LOC (10) Cl.** **14-01**

(52) **U.S. Cl.**
USPC **D14/238.1**; D14/447; D6/567

(58) **Field of Classification Search**

USPC D14/253, 251, 252, 447, 451, 452, 440, D14/434, 458, 432, 439, 457, 460, 238.1, D14/140, 142, 149, 217, 148, 140.8, 140.11, D14/209.1, 151, 140.9, 250, 238; D13/107, D13/108; D12/415, 223, 114, 420, 417, D12/407, 177; D3/218; D16/242-245, 250, D16/237, 203, 214, 219; D6/675, 672, 673, D6/675.4, 553, 676, 310, 406.3, 406.4, D6/406.5, 406.6, 407, 567
CPC B60R 2011/0008; B60R 11/02; B60R 11/0241; B60R 11/0258; B60R 11/0252; B60R 2011/0294; F16M 11/00; F16M 11/04; F16M 11/041; F16M 11/02; F16M 11/06; F16M 13/00; H04M 1/02; H04M 1/04; H04M 1/11; H04M 1/12; A47F 7/022; B62J 11/00; H05K 7/00; G03B 17/56

See application file for complete search history.

(56) **References Cited**

U.S. PATENT DOCUMENTS

D196,542 S * 10/1963 Zelnick 224/163
D280,466 S * 9/1985 Seltzer D12/422
D361,462 S * 8/1995 Newham D6/567

D369,465 S * 5/1996 Scheid D3/218
D388,107 S 12/1997 Huckins
D425,353 S * 5/2000 Foy D24/134
D443,493 S 6/2001 Skeem
D535,826 S 1/2007 Toghianian
D545,343 S 6/2007 Braun
D547,863 S * 7/2007 Heinsch D24/128

(Continued)

OTHER PUBLICATIONS

Innovelis, Inc. Product—TotalMount—Apple TV Mounting Kit, downloaded from Amazon.com on Feb. 3, 2014, first available on Amazon.com on Jun. 22, 2011: http://www.amazon.com/TotalMount-Apple-Universal-Mounting-Kit/dp/B0057CVH6W/ref=sr_1_1?ie=UTF8&qid=1391473446&sr=8-1&keywords=TOTOALMOUNT.

(Continued)

Primary Examiner — Susan Bennett Hattan

Assistant Examiner — Janice Hallmark

(57) **CLAIM**

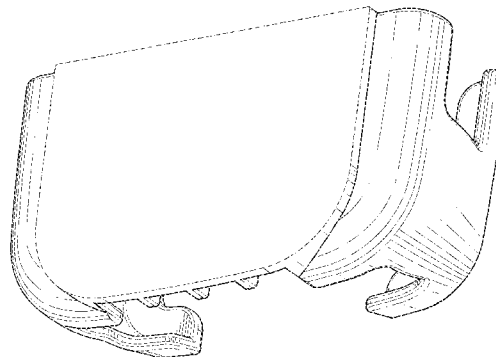
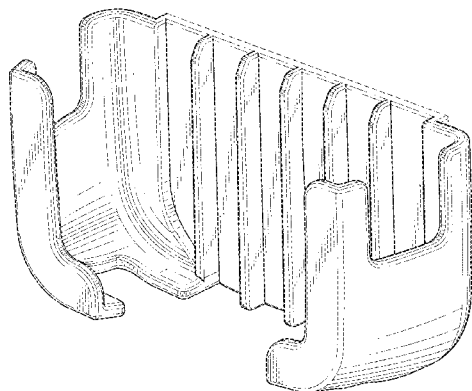
The ornamental design for a mount for electronic devices, as shown and described.

DESCRIPTION

FIG. 1 is a front, side, and top perspective view of a mount for electronic devices embodying the new design. FIG. 2 is a back, side, and bottom perspective view thereof. FIG. 3 is a front view thereof. FIG. 4 is a back view thereof. FIG. 5 is a bottom view thereof. FIG. 6 is a top view thereof; and, FIG. 7 is a first side view thereof, the second side view being a mirror image.

As shown in FIGS. 1, 2, 4, 6 and 7, the uniform repeating broken lines form an unclaimed boundary of the claim. The uniform repeating broken lines form no part of the claimed design.

1 Claim, 3 Drawing Sheets



(56)

References Cited

U.S. PATENT DOCUMENTS

D551,008	S	*	9/2007	Hidalgo	D6/567
D560,411	S		1/2008	Chung		
D565,399	S		4/2008	Grey		
D570,801	S		6/2008	Allen		
D586,795	S	*	2/2009	Richter	D14/253
D596,172	S	*	7/2009	Ahlqvist	D14/251
D598,945	S		8/2009	Gillespie		
D610,579	S	*	2/2010	Behar	D14/250
D624,949	S		10/2010	Nakayama		
D705,229	S		5/2014	Wengreen		
D710,340	S		8/2014	Wengreen		
D710,363	S		8/2014	Wengreen		
D710,836	S		8/2014	Wengreen		
D712,906	S		9/2014	Wengreen		
D716,580	S		11/2014	Wengreen		
8,939,417	B1		1/2015	Wengreen		
D729,544	S		5/2015	Wengreen		
D733,105	S		6/2015	Wengreen		
D733,691	S		7/2015	Wengreen		
D734,305	S		7/2015	Wengreen		
D735,174	S		7/2015	Wengreen		
9,131,195	B2		9/2015	Wengreen		
D749,549	S	*	2/2016	Wengreen	D14/238
D749,597	S	*	2/2016	Wengreen	D14/447
2009/0218454	A1		9/2009	Stanley		
2010/0314277	A1		12/2010	Murray		
2012/0126081	A1		5/2012	Wengreen		
2012/0127379	A1	*	5/2012	Wengreen	H05K 5/0204 348/836
2014/0241705	A1		8/2014	Wengreen		

OTHER PUBLICATIONS

Innovelis, Inc. Product—TotalMount—Roku Mounting Kit, downloaded from Amazon.com on Feb. 3, 2014, first available on Amazon.com on Jun. 14, 2012: <http://www.amazon.com/TotalMount-ROKU-UNIVERSAL-MOUNTING-Compatible/dp/B008B1125W/>

ref=sr_1_2?ie=UTF8&qid=1391473922&sr=8-2
&keywords=totalmount.
Innovelis, Inc. Product—TotalMount—Remote Holder, downloaded from Amazon.com on Feb. 3, 2014, first available on Amazon.com on Jul. 2, 2013: http://www.amazon.com/Apple-TV-Remote-Holder-TotalMount/dp/B00DR76YJO/ref=sr_1_3?ie=UTF8&qid=1391474218&sr=8-3&keywords=totalmount.
Innovelis, Inc. Product—TotalMount—AirPort Express Mounting Kit, downloaded from Amazon.com on Feb. 3, 2014, first available on Amazon.com in approximately Sep. 2012: http://www.amazon.com/TotalMount-AirPort-Express-Mounting-Kit/dp/B009HC7BL8/ref=sr_1_4?ie=UTF8&qid=1391474218&sr=8-4&keywords=totalmount.
Innovelis, Inc. Product—TotalMount—Roku Mounting Kit (Version 1), downloaded from Amazon.com on Feb. 3, 2014, first available on Amazon.com on Jan. 19, 2012: http://www.amazon.com/TotalMount-ROKU-MOUNTING-Compatible-Roku/dp/B006ZS4R46/ref=sr_1_5?ie=UTF8&qid=1391474218&sr=8-5&keywords=totalmount.
Innovelis, Inc. Product—TotalMount—AirPort Extreme Mounting Kit, downloaded from Amazon.com on Feb. 3, 2014, first available on Amazon.com in approximately Apr. 2013: http://www.amazon.com/TotalMount-compatible-generations-compatible-generation/dp/B00CK2CDLK/ref=sr_1_7ie=UTF8&qid=1391474218&sr=8-7&keywords=totalmount.
Innovelis, Inc. Product—TotalMount—Vizio Mounting Kit, downloaded from Amazon.com on Feb. 3, 2014, first available on Amazon.com in approximately May 2013: http://www.amazon.com/TotalMount-VIZIO-Co-Star-Mounting-Kit/dp/B00GDMXSZ8/ref=sr_1_10?ie=UTF8&qid=1391474218&sr=8-10&keywords=totalmount.
Roku media players—Part 1, downloaded on Feb. 3, 2014 from <http://www.roku.com/products/roku-2.>
Roku media players—Part 2, downloaded on Feb. 3, 2014 from <http://www.roku.com/products/compare.>
Apple TV, downloaded on Feb. 3, 2014 from [http://www.apple.com/appletv/what-is/.](http://www.apple.com/appletv/what-is/)

* cited by examiner

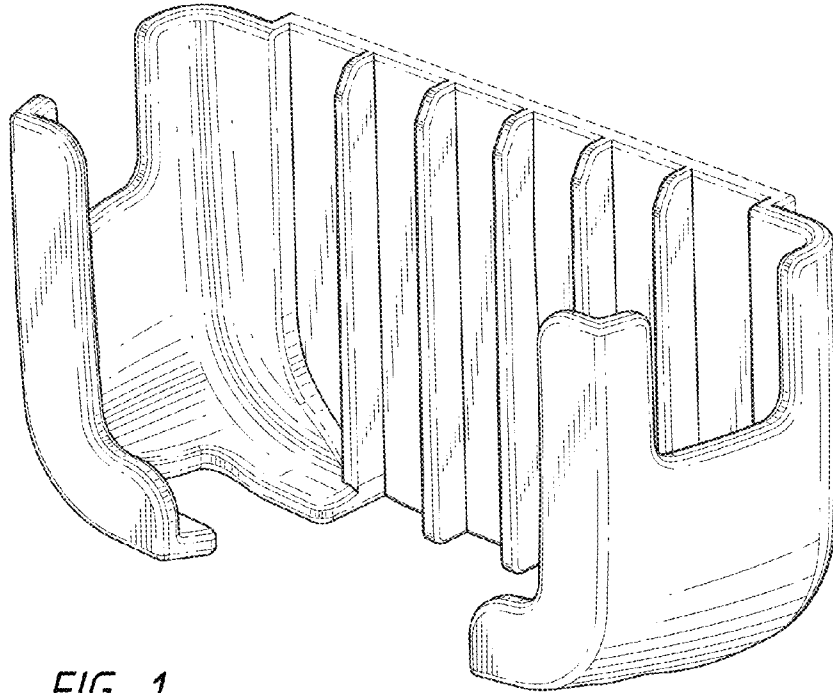


FIG. 1

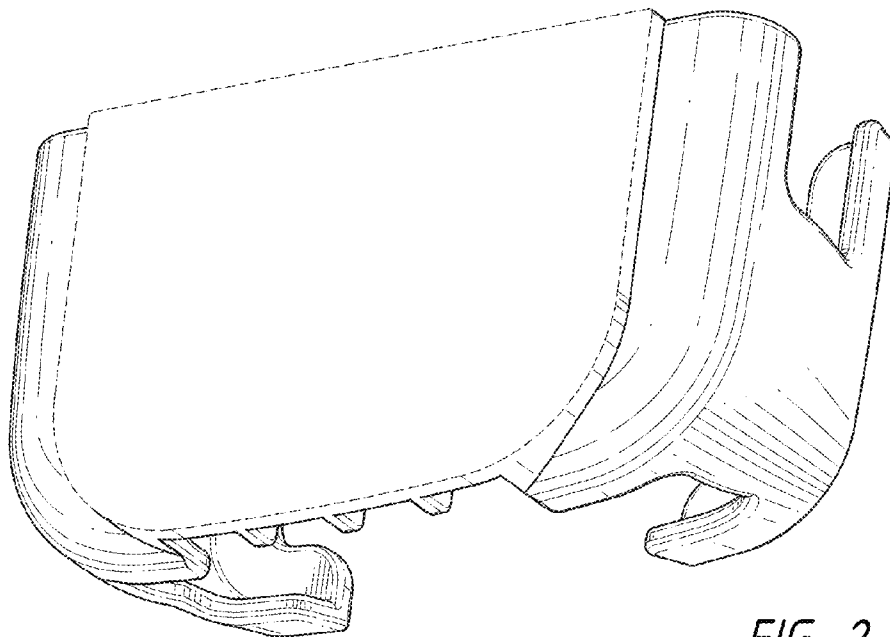


FIG. 2

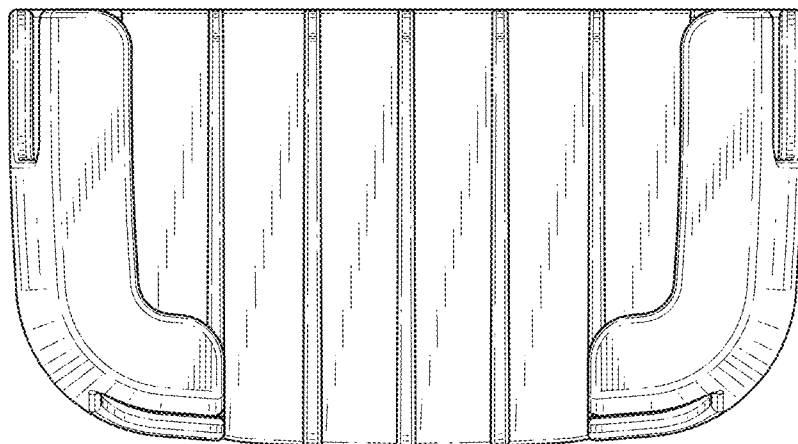


FIG. 3

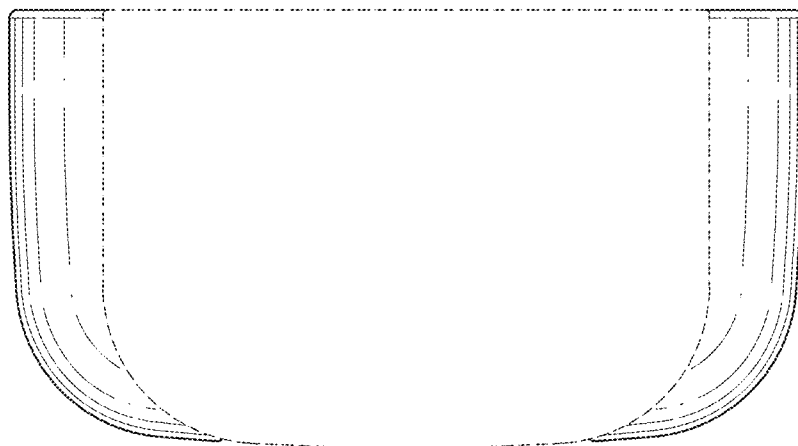


FIG. 4

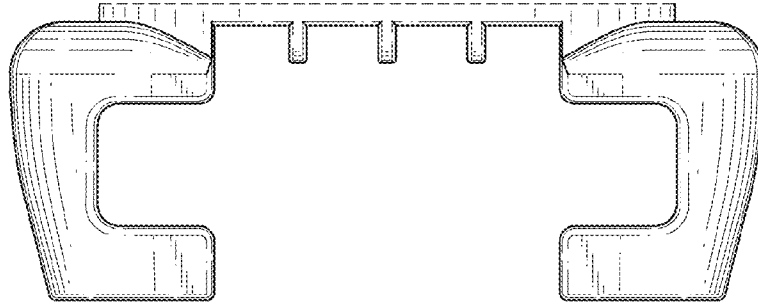


FIG. 5

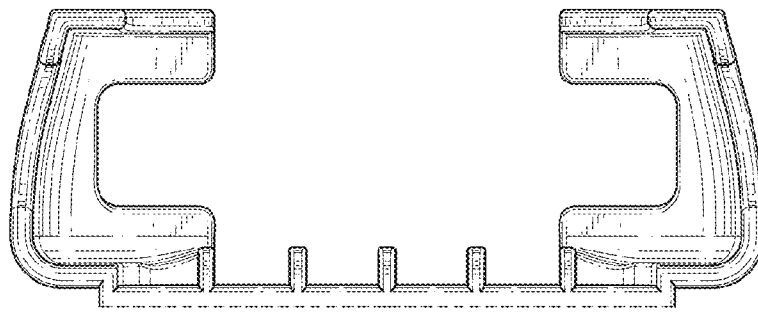


FIG. 6

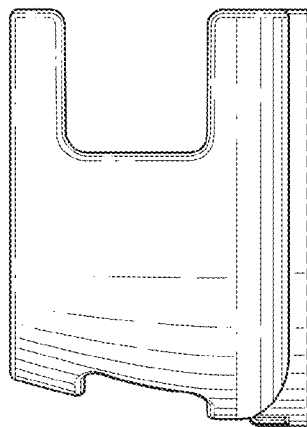


FIG. 7