



(12) **United States Design Patent**  
**Qiang**

(10) **Patent No.:** **US D907,176 S**  
(45) **Date of Patent:** **\*\* Jan. 5, 2021**

(54) **WATER FILTER CARTRIDGE**

FOREIGN PATENT DOCUMENTS

(71) Applicant: **Ningbo Pureza Technology, LLC,**  
Ningbo (CN)

KR 300819596 S 10/2015

(72) Inventor: **Lu Qiang,** Zhejiang (CN)

OTHER PUBLICATIONS

(73) Assignee: **Ningbo Pureza Technology, LLC**

Youtube.com, Replace and Install the XWF Water Filter, Aug. 15, 2018, GE instructional video retrieved Dec. 27, 2019 from <URL:https://youtu.be/DgvfdqacpPs> (Year: 2018).\*

(\*\*) Term: **15 Years**

*Primary Examiner* — Sheryl Lane

(21) Appl. No.: **29/670,844**

*Assistant Examiner* — Calvin E Vansant

(22) Filed: **Nov. 20, 2018**

(74) *Attorney, Agent, or Firm* — Fish IP Law, LLP

(51) **LOC (13) Cl.** ..... **23-01**

(52) **U.S. Cl.**  
USPC ..... **D23/209**

(58) **Field of Classification Search**  
USPC ..... D23/202, 205, 207, 259, 260, 262  
CPC ..... B01D 2201/29; B01D 2201/30; B01D  
2201/301; B01D 2201/302; B01D  
2201/306; B01D 2201/309; B01D 35/30;  
C02F 1/002; C02F 1/003  
See application file for complete search history.

(57) **CLAIM**

The ornamental design of a water filter cartridge, as shown and described.

**DESCRIPTION**

FIG. 1 is a top, front, right side perspective view of an embodiment of a water filter cartridge showing my new design;  
FIG. 2 is a front elevation view thereof;  
FIG. 3 is a back elevation view thereof;  
FIG. 4 is a right side elevation view thereof;  
FIG. 5 is a left side elevation view thereof;  
FIG. 6 is a top, back, left side perspective view thereof;  
FIG. 7 is a top, back, right side perspective view thereof;  
FIG. 8 is a top, front, left side perspective view thereof;  
FIG. 9 is a bottom, back, left side perspective view thereof;  
FIG. 10 is a bottom, back, right side perspective view thereof;  
FIG. 11 is a bottom, front, left side perspective view thereof;  
and,  
FIG. 12 is a bottom, front, right side perspective view thereof.  
The broken line showing of various features of the water filter cartridge form no part of the claimed design.

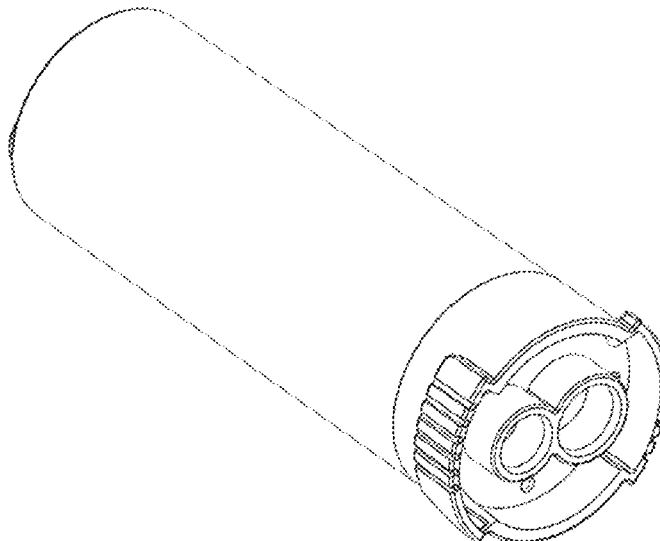
(56) **References Cited**

U.S. PATENT DOCUMENTS

2,165,163	A	7/1939	Waters	
2,170,010	A	8/1939	Conner	
D172,354	S	6/1954	Line	
2,991,885	A *	7/1961	Gutkowski	..... B01D 35/153 210/133
4,615,812	A	10/1986	Darling	
4,871,455	A	10/1989	Terhune	
D306,199	S	2/1990	Meissner	
5,035,798	A	7/1991	Stenger	
D365,632	S	12/1995	Blasdell et al.	
5,486,288	A	1/1996	Stanford	
D399,008	S	9/1998	Thomas	
6,120,685	A	9/2000	Carlson	
D460,146	S *	7/2002	Setser	..... B01D 35/147 D23/209
D472,299	S	2/2003	Fritze	

(Continued)

**1 Claim, 9 Drawing Sheets**



# US D907,176 S

(56)

## References Cited

### U.S. PATENT DOCUMENTS

D476,718 S	7/2003	Ferrer Beltran	D760,868 S	7/2016	Lu
7,000,782 B2	2/2006	Walton	D761,382 S	7/2016	Curtis et al.
D541,371 S	4/2007	McKay	D761,383 S	7/2016	Curtis et al.
D546,412 S	7/2007	Kennedy et al.	D762,812 S	8/2016	Branscomb et al.
D547,821 S	7/2007	Kennedy et al.	D764,021 S	8/2016	Lu
D547,822 S	7/2007	Kennedy et al.	D764,626 S	8/2016	Lu
D547,823 S	7/2007	Kennedy et al.	D765,220 S	8/2016	Boudreau et al.
D554,734 S	11/2007	Yamamoto	D768,813 S	10/2016	Dong et al.
8,177,976 B2	5/2012	Formica	D768,814 S	10/2016	Dong et al.
8,354,024 B2	1/2013	Ihle	D773,607 S	12/2016	Lu
8,398,853 B2 *	3/2013	An .....	D775,712 S	1/2017	Kim et al.
			D776,237 S	1/2017	Dong et al.
			D780,887 S	3/2017	Huda et al.
			D788,880 S	6/2017	Zou
			D807,988 S	1/2018	An et al.
			D820,947 S	6/2018	An et al.
			D824,484 S *	7/2018	Zou .....
					B01D 35/153
D679,779 S	4/2013	Reid			D23/209
8,916,044 B2	12/2014	Rapin	2006/0000754 A1 *	1/2006	Kang .....
D722,362 S	2/2015	Kluss et al.			B01D 35/153
9,005,435 B2	4/2015	Takeda			210/97
9,067,154 B1	6/2015	Branscomb	2006/0091047 A1 *	5/2006	Ye .....
D738,460 S	9/2015	Cook			B01D 21/0012
D748,226 S	1/2016	Aoki et al.			210/109
D750,739 S	3/2016	Baird	2017/0261253 A1 *	9/2017	Mitchell .....
D753,788 S	4/2016	Huda et al.			B01D 35/1573

\* cited by examiner

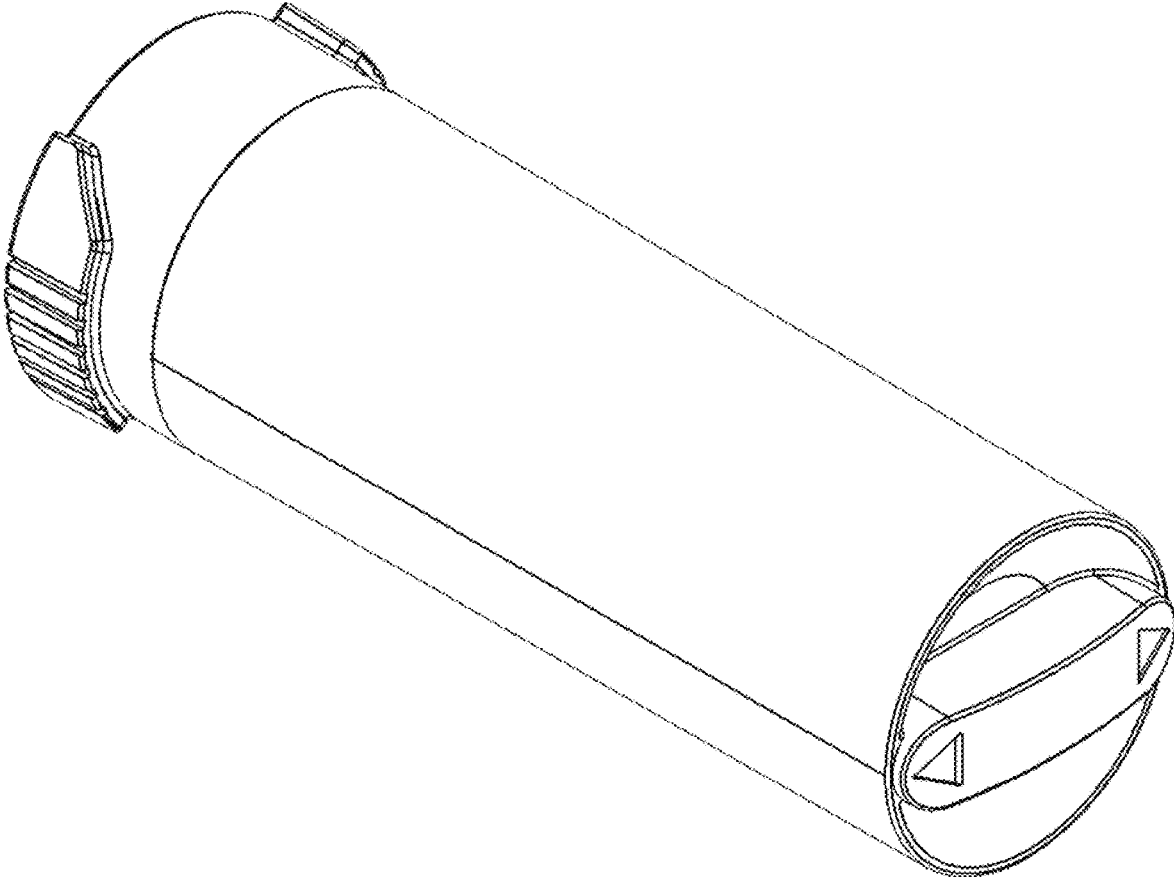


Figure 1

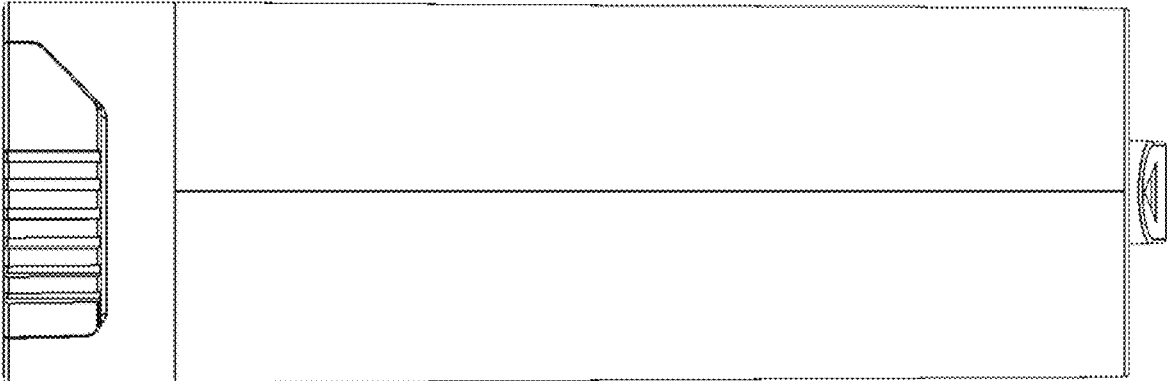


Figure 2

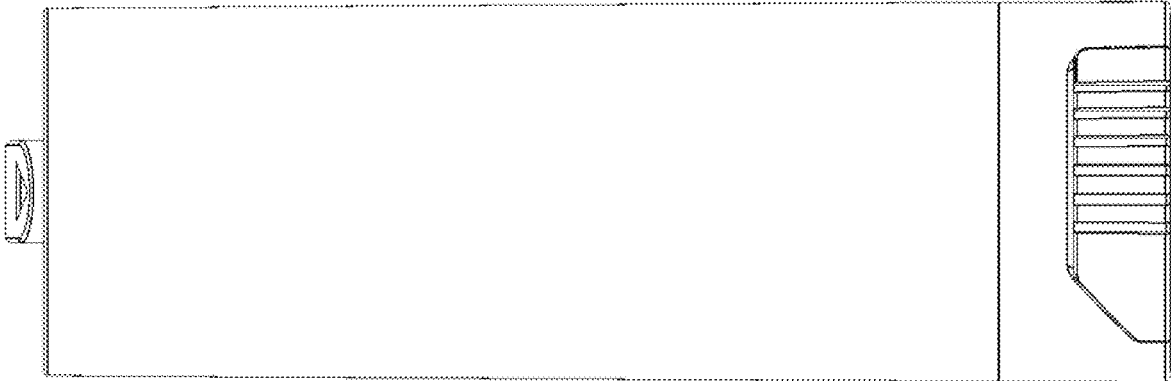


Figure 3

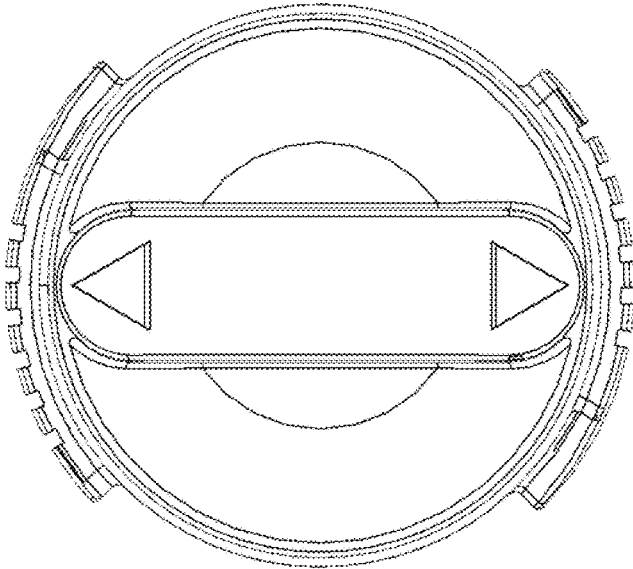


Figure 4

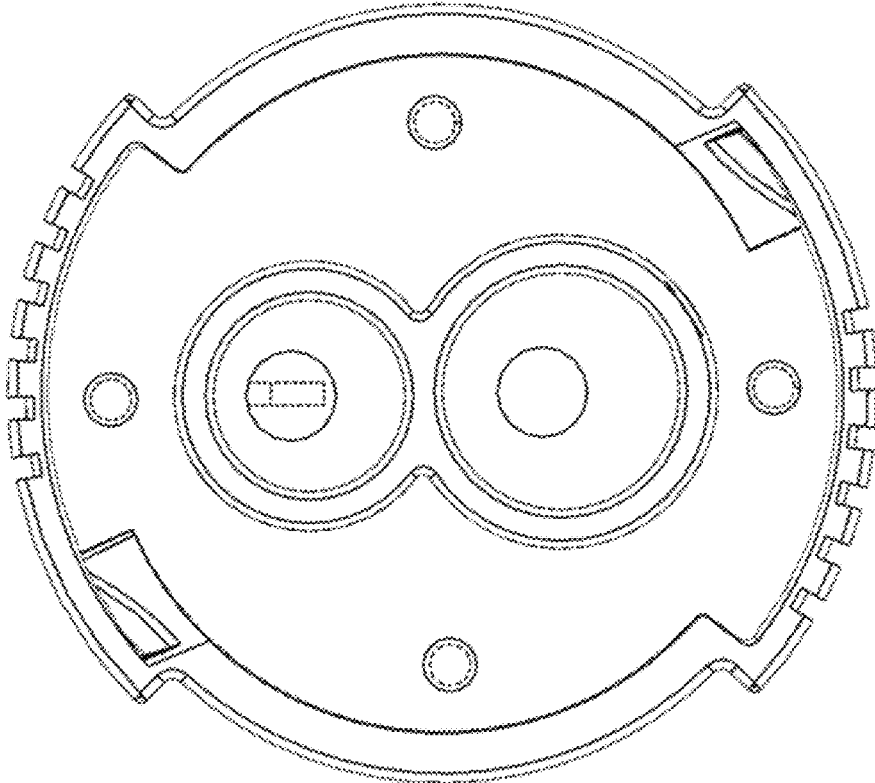


Figure 5

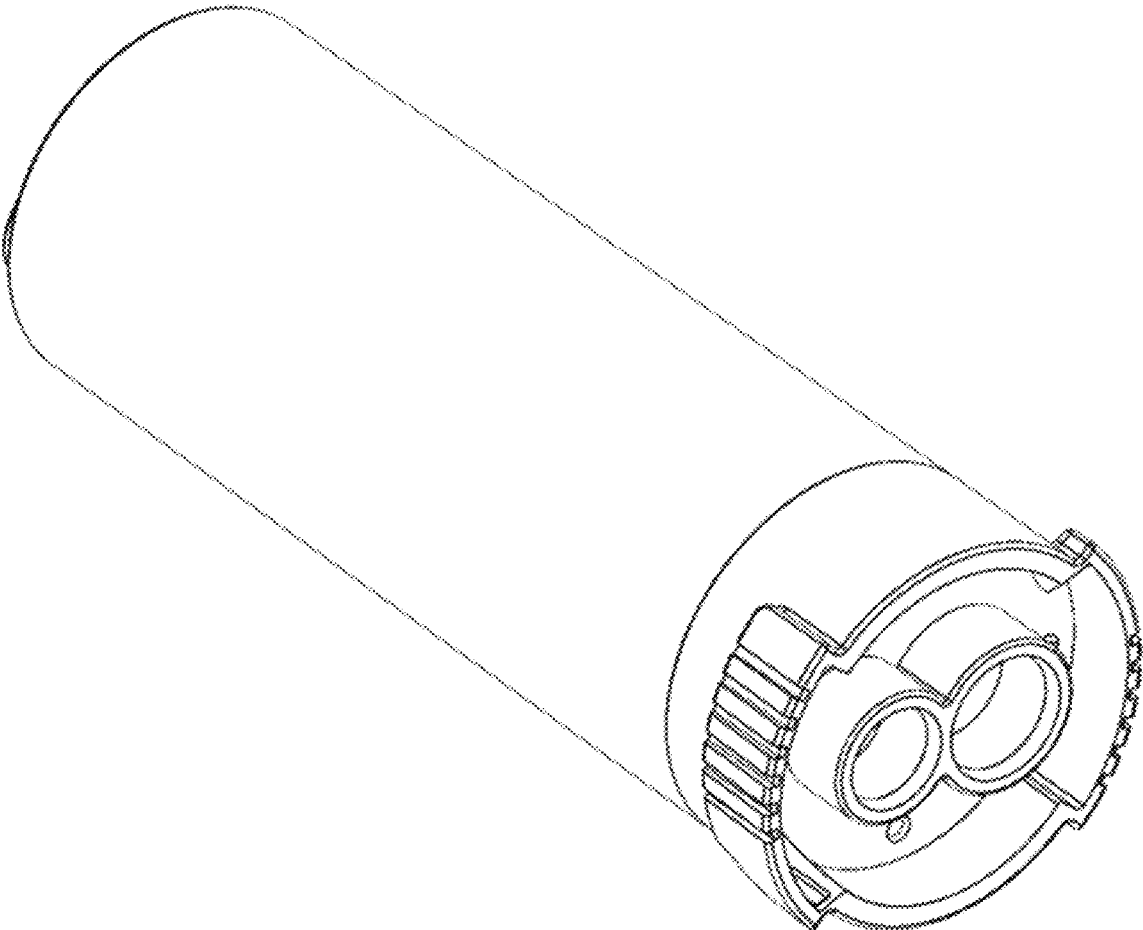


Figure 6

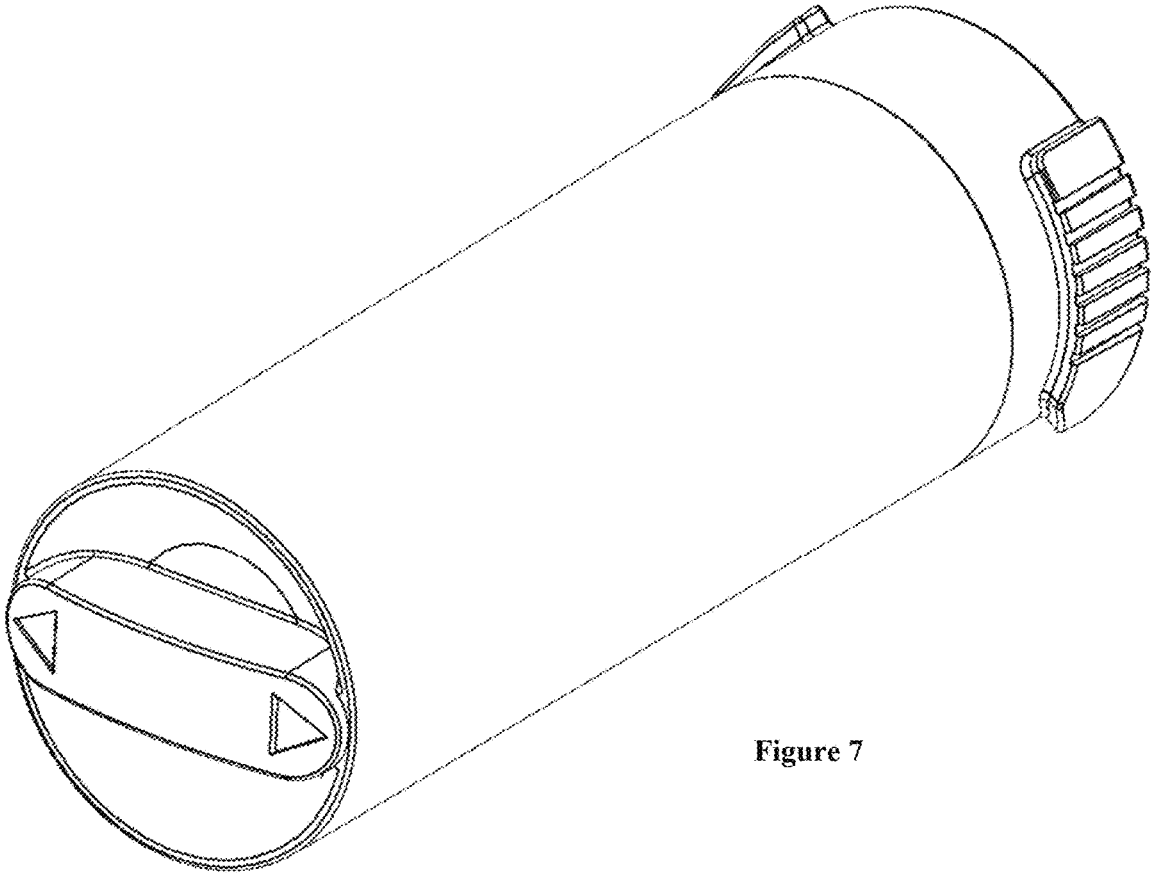


Figure 7

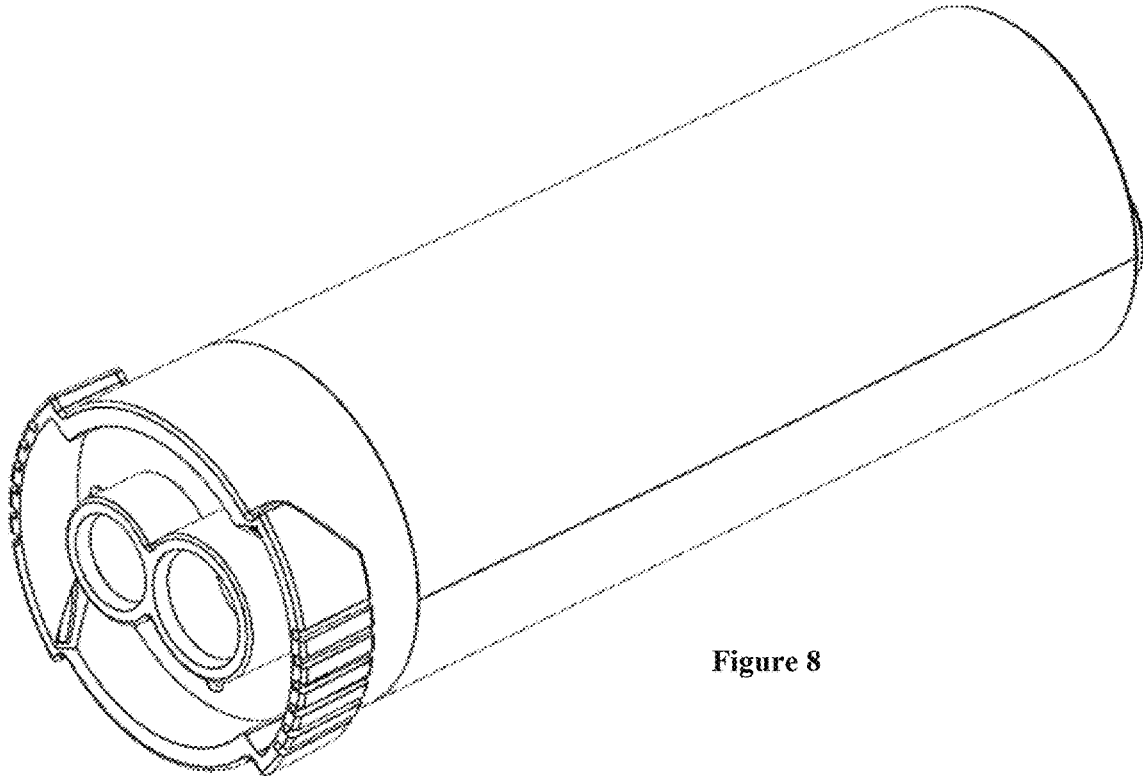


Figure 8

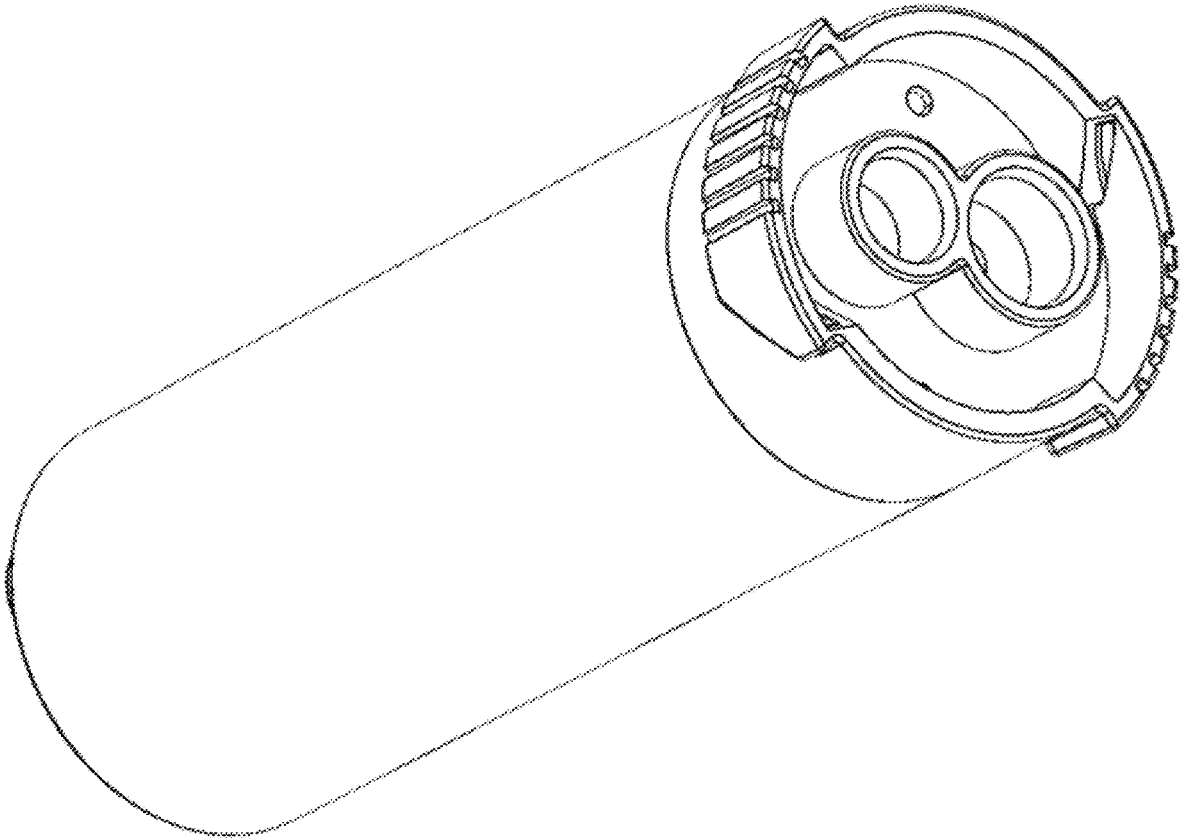


Figure 9



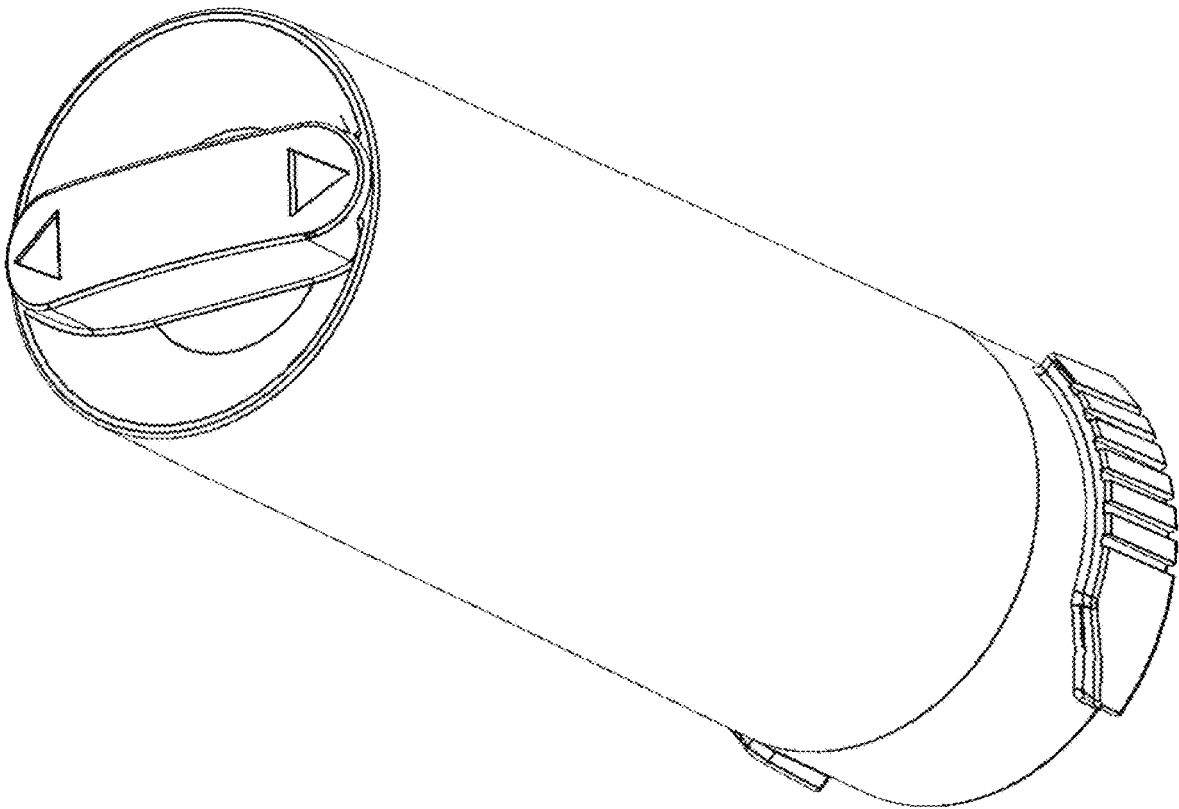


Figure 10

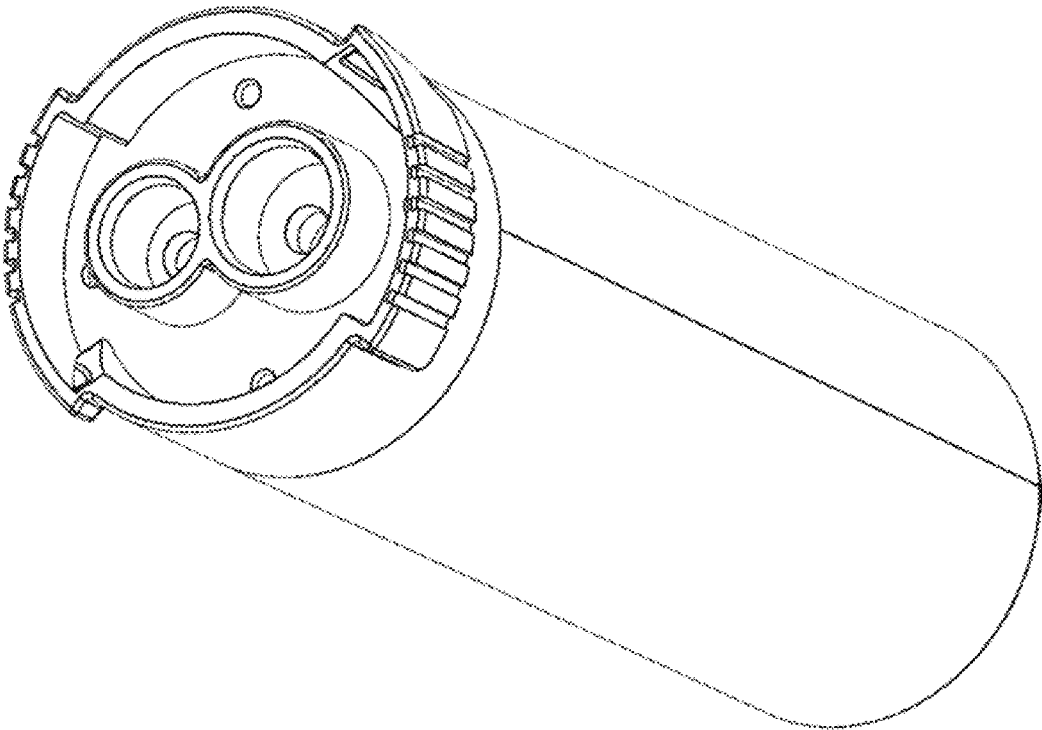


Figure 11

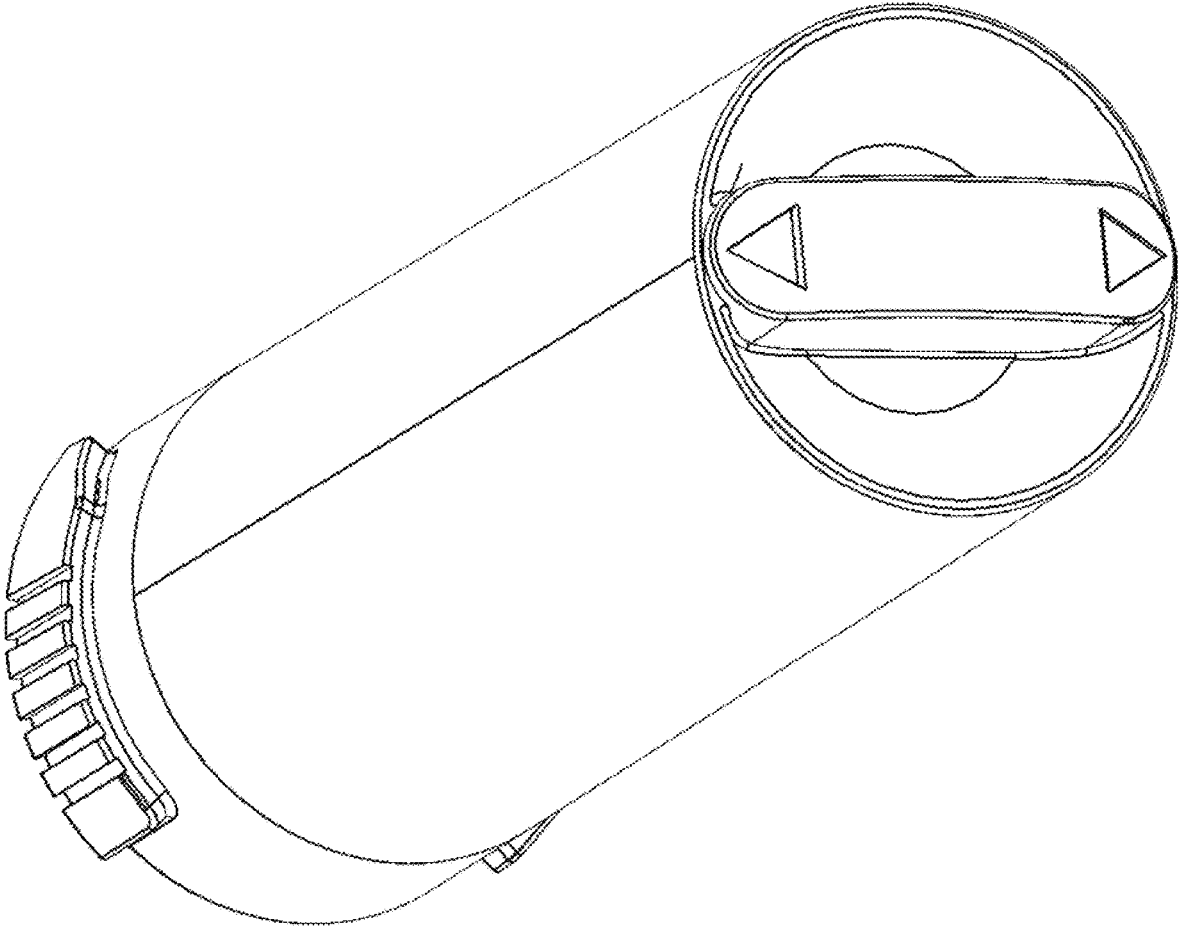


Figure 12