



US00D965426S

(12) **United States Design Patent**  
**Kvam**

(10) **Patent No.:** **US D965,426 S**  
(45) **Date of Patent:** **\*\* Oct. 4, 2022**

- (54) **PACKAGING CONTAINER**
- (71) Applicant: **Elopak AS, Spikkestad (NO)**
- (72) Inventor: **Gerd Unni Kvam, Hokksund (NO)**
- (\*\*) Term: **15 Years**
- (21) Appl. No.: **35/509,766**
- (22) Filed: **Jan. 10, 2020**
- (80) **Hague Agreement Data**  
Int. Filing Date: **Jan. 10, 2020**  
Int. Reg. No.: **DM/207529**  
Int. Reg. Date: **Jan. 10, 2020**  
Int. Reg. Pub. Date: **Jul. 10, 2020**
- (51) **LOC (13) Cl.** ..... **09-07**
- (52) **U.S. Cl.** ..... **D9/433**
- (58) **Field of Classification Search**  
USPC ..... D9/414, 416-417, 429, 430-433  
CPC ..... B65D 5/067; B65D 2571/0066; B65D  
5/4266; B65D 15/22; B65D 2571/0029;  
B65D 75/5855; B65D 77/065; B65D  
5/708  
See application file for complete search history.

- 2008/0240628 A1\* 10/2008 VanLoocke ..... B65D 75/5855  
383/210
- 2010/0012711 A1\* 1/2010 Paulen ..... B65D 5/029  
229/248
- 2015/0102095 A1\* 4/2015 Wong ..... B31B 50/88  
229/125.42
- 2015/0166215 A1\* 6/2015 DiRico ..... B65D 5/708  
229/123.1
- 2017/0073102 A1\* 3/2017 Borasi ..... B65B 3/025
- 2019/0047744 A1\* 2/2019 Dahan ..... B65D 5/4275
- 2020/0207055 A1\* 7/2020 Wirtz ..... B65B 3/04
- 2020/0216247 A1\* 7/2020 Barran ..... B65D 75/5838
- 2020/0317390 A1\* 10/2020 Leufstedt ..... B65D 5/064
- 2021/0147110 A1\* 5/2021 Nakamura ..... B65D 5/4266
- 2021/0178348 A1\* 6/2021 Sasso ..... B65D 5/48016

\* cited by examiner

Primary Examiner — Michael A. Pratt

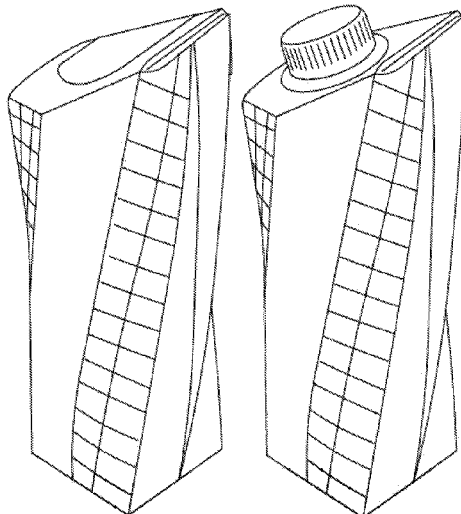
(57) **CLAIM**

The ornamental design for a packaging container, as shown and described.

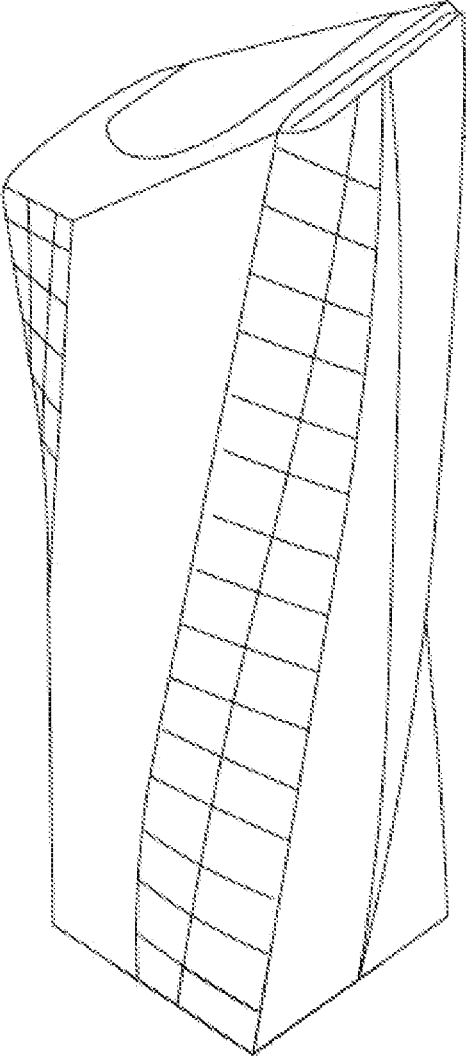
**DESCRIPTION**

- 2. Packaging container
- 4. Packaging container
- 2.1 : Perspective
- 2.2 : Back
- 2.3 : Front
- 2.4 : Left
- 2.5 : Right
- 2.6 : Top
- 2.7 : Bottom
- 4.1 : Perspective
- 4.2 : Back
- 4.3 : Front
- 4.4 : Left
- 4.5 : Right
- 4.6 : Top
- 4.7 : Bottom
- Packaging container

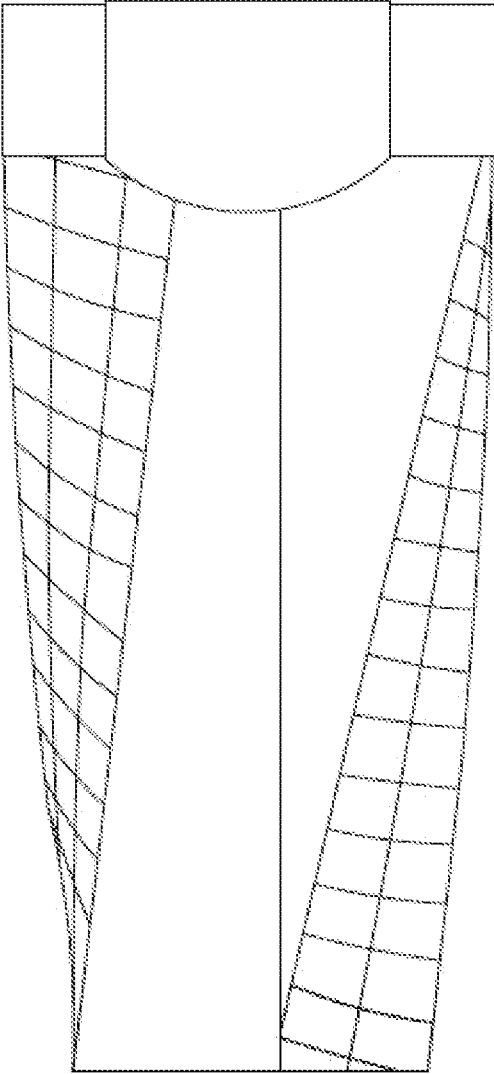
**1 Claim, 14 Drawing Sheets**



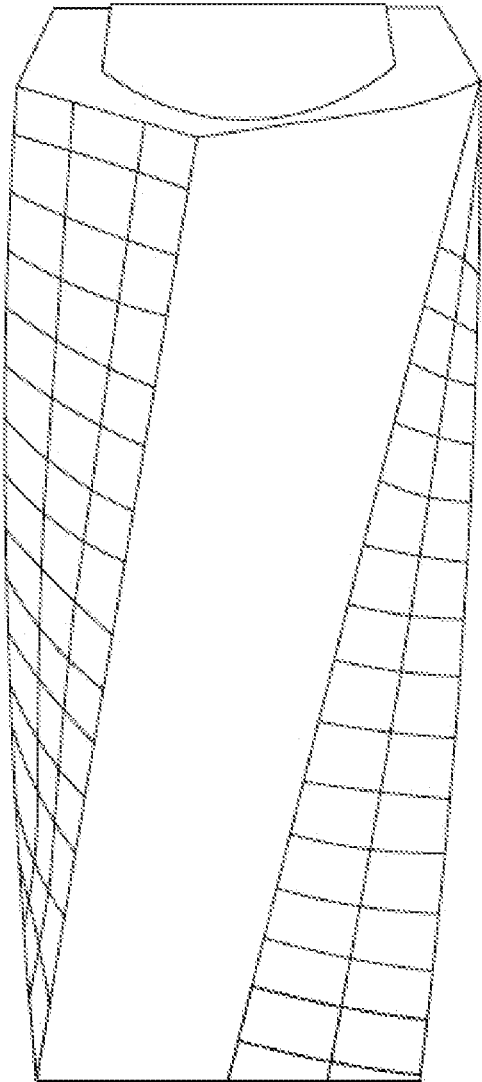
# 2.1



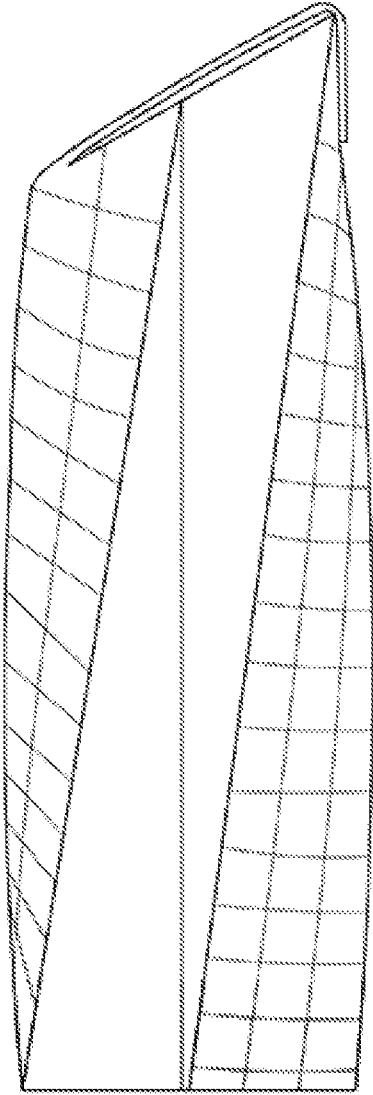
# 2.2



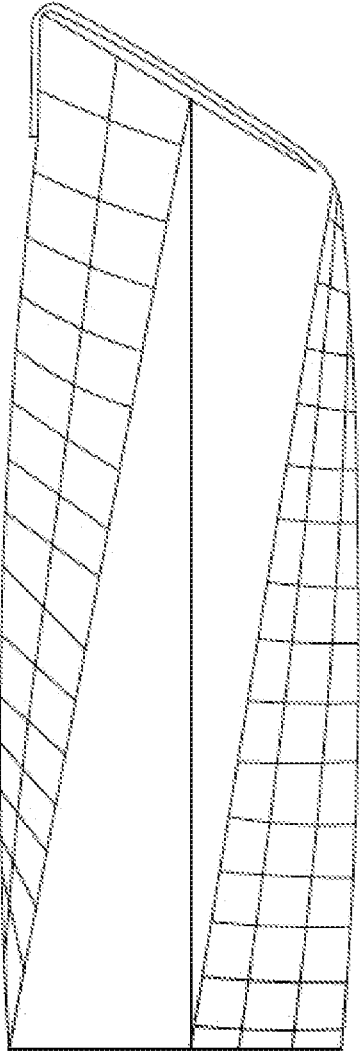
2.3



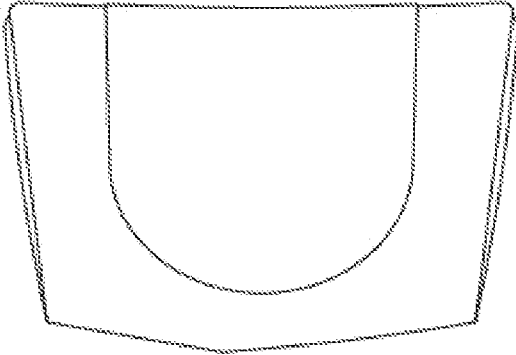
# 2.4



# 2.5



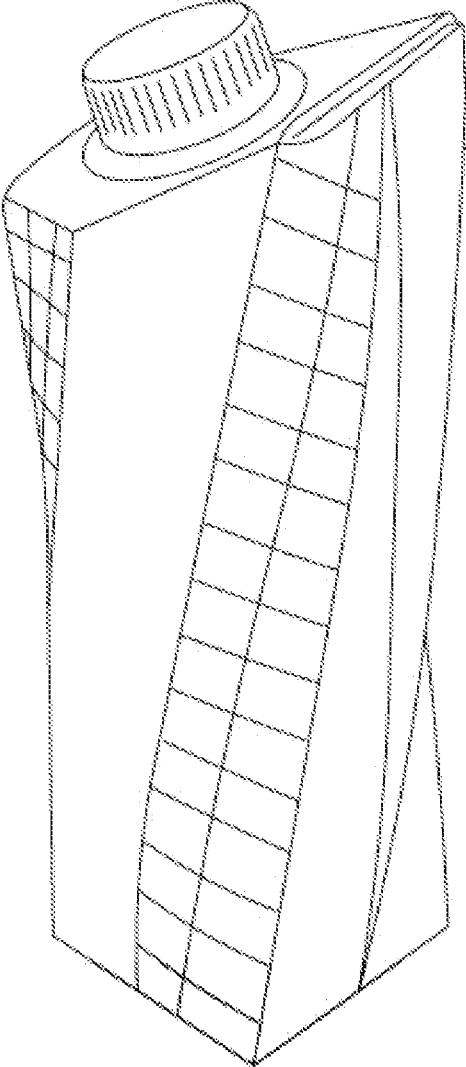
# 2.6



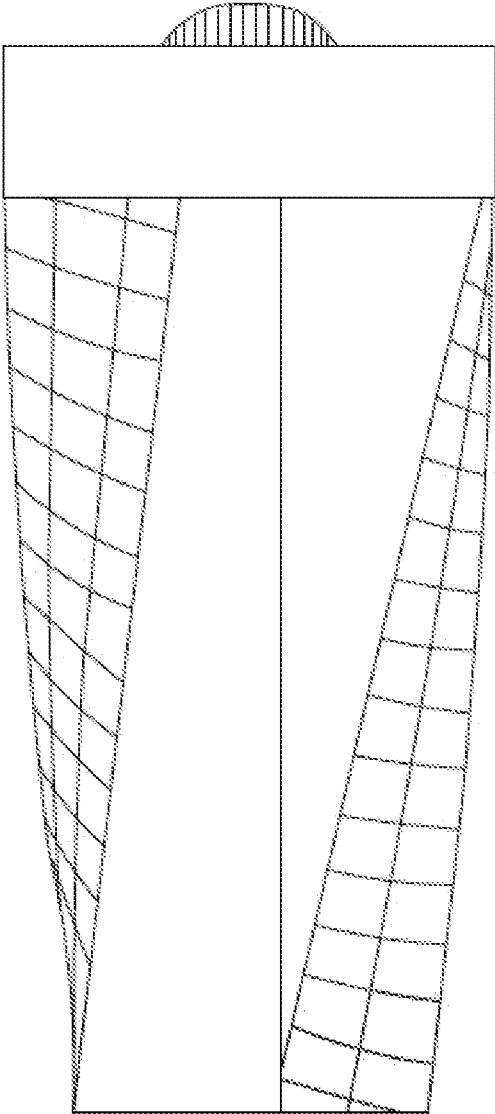
# 2.7



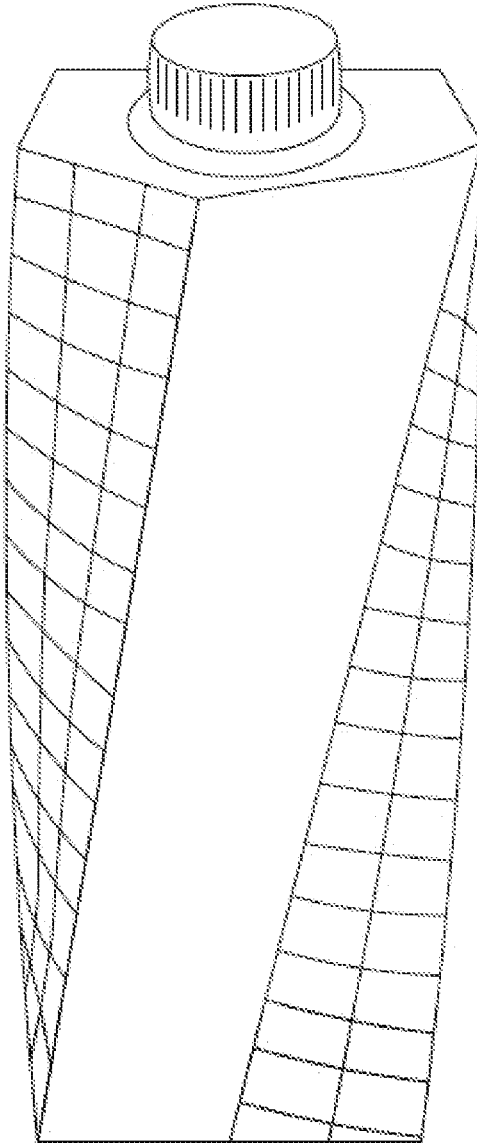

4.1



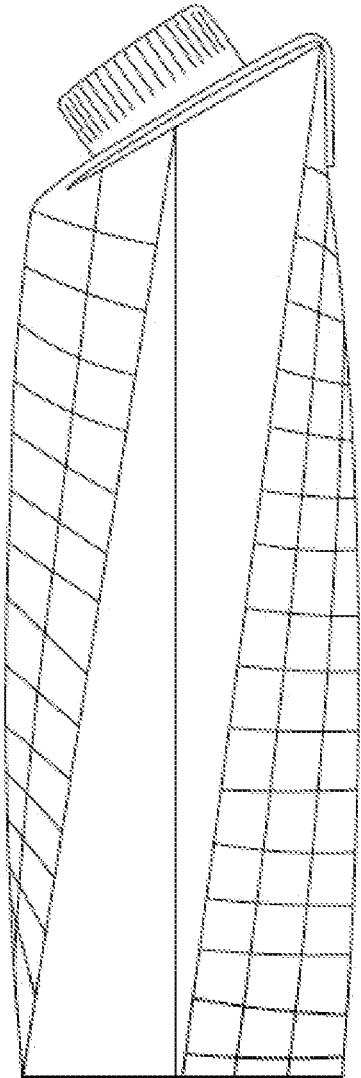
4.2



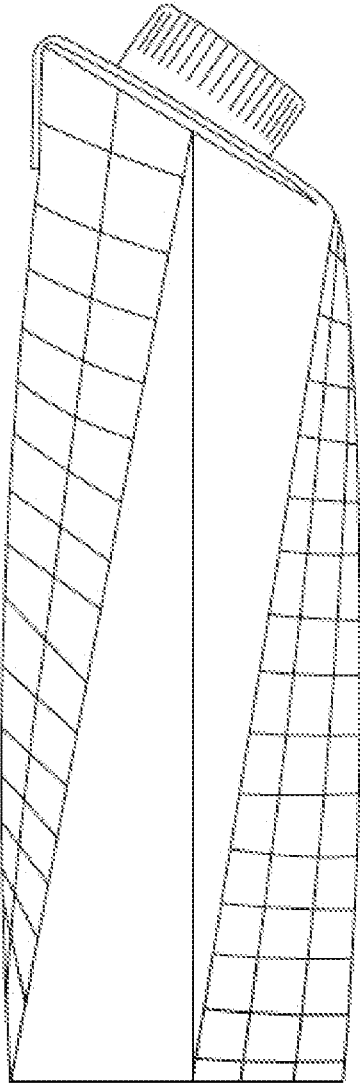
4.3



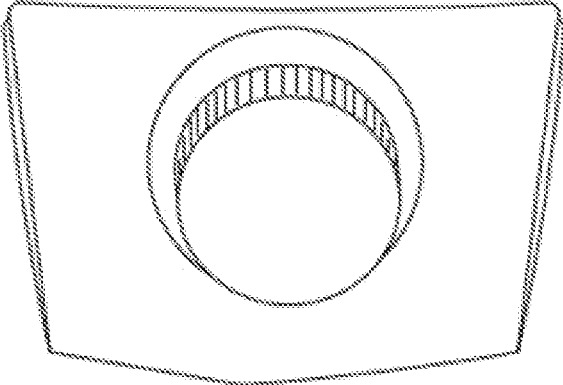
4.4



4.5



4.6



4.7
