



US00D685862S

(12) **United States Design Patent**  
**Martino et al.**

(10) **Patent No.:** **US D685,862 S**

(45) **Date of Patent:** **\*\* Jul. 9, 2013**

(54) **TOY VEHICLE HOUSING**

(75) Inventors: **Anthony M. Martino**, Thousand Oaks, CA (US); **Kevin Kai Cao**, Reseda, CA (US)

(73) Assignee: **Mattel, Inc.**, El Segundo, CA (US)

(\*\*) Term: **14 Years**

(21) Appl. No.: **29/397,872**

(22) Filed: **Jul. 21, 2011**

(51) **LOC (9) Cl.** ..... **21-01**

(52) **U.S. Cl.** ..... **D21/533**  
USPC .....

(58) **Field of Classification Search**  
USPC ..... D14/137, 138, 143, 144, 147, 148,  
D14/149, 150, 168, 170-171, 188, 189,  
D14/193-198, 207, 218, 250; D21/516, 532,  
D21/539, 548, 549, 550, 551; 446/431,  
446/447-448, 456, 465-466; 455/344, 350,  
455/351; D3/263

See application file for complete search history.

(56) **References Cited**

**U.S. PATENT DOCUMENTS**

1,990,793	A	*	2/1935	Matsumoto	.....	446/470
D95,791	S	*	6/1935	Baetz	.....	D21/548
D142,229	S	*	8/1945	Roach	.....	D21/550
4,132,028	A		1/1979	Ogawa		
4,193,639	A		3/1980	Pauly et al.		
4,299,051	A		11/1981	Pauly et al.		
D266,342	S	*	9/1982	Wilkes	.....	D21/549
4,406,085	A		9/1983	Rhodes		
D279,591	S	*	7/1985	Ogawa	.....	D21/580

(Continued)

**FOREIGN PATENT DOCUMENTS**

DE	19902852	7/2000
EP	0281427	9/1988

(Continued)

**OTHER PUBLICATIONS**

Joanna Stern. Hot Wheels Video Racer has a VGA camera under its hood, confirms that kids have it all. Engadget. Jan. 21, 2010 [online],

[retrieved on Oct. 1, 2012]. Retrieved from the Internet <URL: <http://www.engadget.com/2011/01/21/hot-wheels-video-racer-has-a-vga-camera-under-its-hood-confirms/>>.\*

(Continued)

*Primary Examiner* — Philip S Hyder

*Assistant Examiner* — Darlington Ly

(74) *Attorney, Agent, or Firm* — Kolisch Hartwell, PC

(57) **CLAIM**

We claim the ornamental design for a toy vehicle housing, as shown and described.

**DESCRIPTION**

FIG. 1 shows a top front right perspective view of a toy vehicle housing in a closed position.

FIG. 2 shows a top rear left perspective view of the toy vehicle housing of FIG. 1.

FIG. 3 shows a right side view of the toy vehicle housing of FIG. 1.

FIG. 4 shows a left side view of the toy vehicle housing of FIG. 1.

FIG. 5 shows a front view of the toy vehicle housing of FIG. 1.

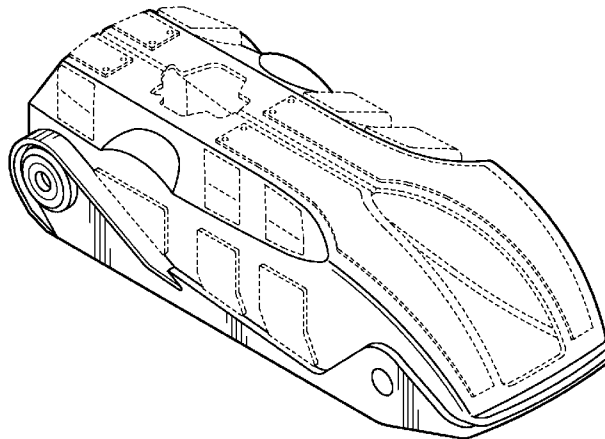
FIG. 6 shows a rear view of the toy vehicle housing of FIG. 1.

FIG. 7 shows a top view of the toy vehicle housing of FIG. 1; and,

FIG. 8 shows a bottom view of the toy vehicle housing of FIG. 1.

The broken lines shown in the drawings illustrate portions of the toy vehicle housing that form no part of the claimed design.

**1 Claim, 3 Drawing Sheets**



U.S. PATENT DOCUMENTS

D301,355 S \* 5/1989 Doi ..... D21/581  
 D311,882 S \* 11/1990 Furst ..... D12/92  
 4,986,187 A 1/1991 Booth et al.  
 5,035,382 A 7/1991 Lissaman et al.  
 5,174,593 A 12/1992 Chapman  
 5,350,033 A 9/1994 Kraft  
 5,481,257 A 1/1996 Brubaker et al.  
 5,555,019 A 9/1996 Dole  
 5,596,319 A 1/1997 Spry  
 D424,633 S \* 5/2000 Hollis et al. .... D21/548  
 6,155,835 A 12/2000 Shercliff  
 6,224,227 B1 5/2001 Klootz  
 6,264,521 B1 7/2001 Hernandez  
 6,293,798 B1 9/2001 Boyle et al.  
 6,497,608 B2 12/2002 Ho et al.  
 6,520,642 B1 2/2003 Chapman  
 6,535,793 B2 3/2003 Allard  
 6,547,624 B1 4/2003 Bojesen et al.  
 6,568,983 B1 5/2003 Peters  
 6,612,658 B1 9/2003 Oumedian  
 6,632,121 B2 10/2003 Edmisson et al.  
 6,692,329 B2 2/2004 Peters  
 6,733,360 B2 5/2004 Dooley et al.  
 6,746,304 B1 6/2004 Liu  
 6,752,720 B1 6/2004 Clapper et al.  
 6,811,492 B1 11/2004 Arakawa et al.  
 6,954,695 B2 10/2005 Bonilla et al.  
 D541,354 S \* 4/2007 Campbell et al. .... D21/581  
 D542,362 S \* 5/2007 Campbell ..... D21/581  
 7,402,964 B1 7/2008 Calhoun  
 D576,523 S \* 9/2008 Battams et al. .... D12/88  
 7,445,539 B2 11/2008 Laurienzo et al.  
 7,494,398 B2 2/2009 Laurienzo  
 D587,629 S \* 3/2009 Crijns ..... D12/88  
 7,704,119 B2 4/2010 Evans

7,731,588 B2 6/2010 Templeman  
 7,762,731 B2 7/2010 Arbuckle et al.  
 7,777,969 B2 8/2010 Shirono et al.  
 2001/0015766 A1 8/2001 Marchesini  
 2001/0045978 A1 11/2001 McConnell et al.  
 2002/0106965 A1 8/2002 Dooley et al.  
 2003/0190856 A1 10/2003 Peters  
 2003/0232649 A1 12/2003 Gizis et al.  
 2004/0251650 A1 12/2004 Katsuyama et al.  
 2006/0223635 A1 10/2006 Rosenberg  
 2006/0293102 A1 12/2006 Kelsey  
 2009/0004948 A1 1/2009 Ando et al.  
 2009/0140570 A1 6/2009 Houkal  
 2010/0081357 A1 4/2010 Alles  
 2012/0052767 A1 \* 3/2012 Martino et al. .... 446/465

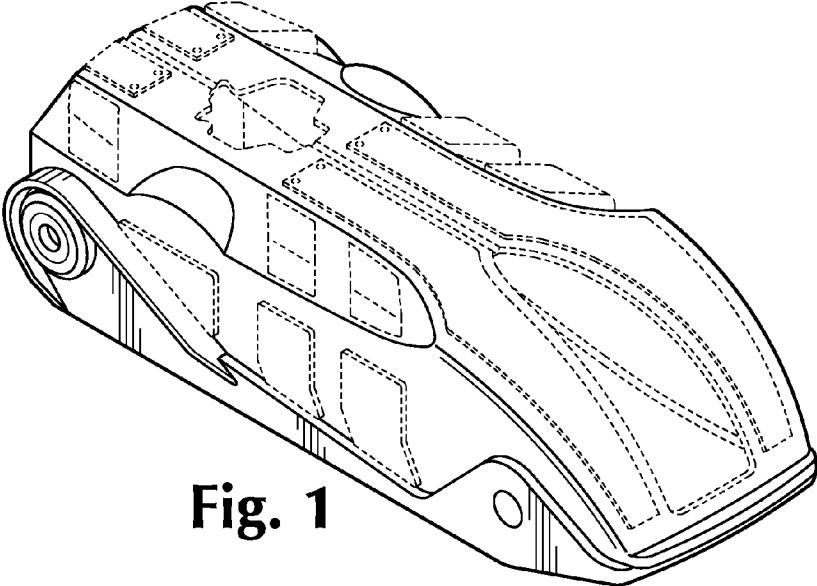
FOREIGN PATENT DOCUMENTS

EP 1310280 5/2003  
 JP 10043439 2/1998  
 WO 0156676 8/2001

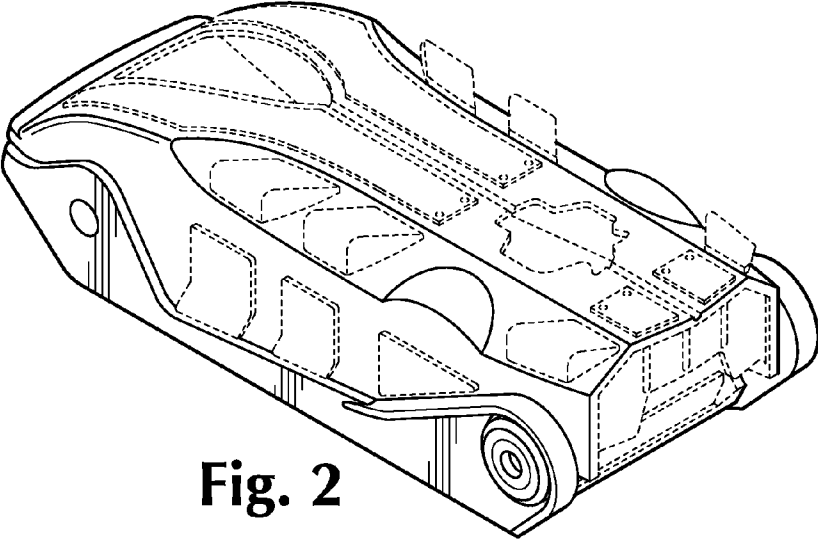
OTHER PUBLICATIONS

Carol Mangis. Hot Wheels makes RC cars pocketable. Consumer Reports. Feb. 17, 2011 [online], [retrieved on Oct. 1, 2012]. Retrieved from the Internet <URL: <http://news.consumerreports.org/electronics/2011/02/mattel-hot-wheels-video-racer.html>>.\*  
 straylor. Mattel Hot Wheels Video Racer: Get footage from a toy's-eye view. YouTube. Jan. 9, 2011 [online], [retrieved on Oct. 1, 2012]. Retrieved from the Internet <URL: <http://www.youtube.com/watch?v=1xujxUWs-rs>>.\*  
 www.halfbakery.com; "A Matchbox Car Camera: Inside Perspective on Toy Car Stunts"; Jul. 12, 2000; 3 pages; [http://www.halfbakery.com/idea/A\\_20Matchbox\\_20Car\\_20\\_Camera](http://www.halfbakery.com/idea/A_20Matchbox_20Car_20_Camera).

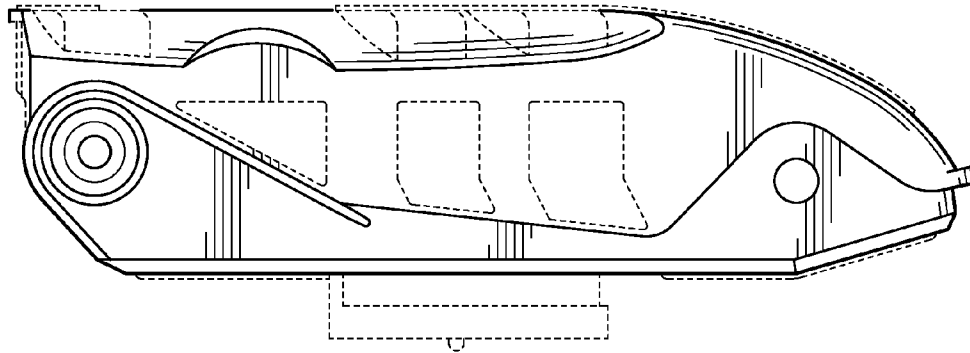
\* cited by examiner



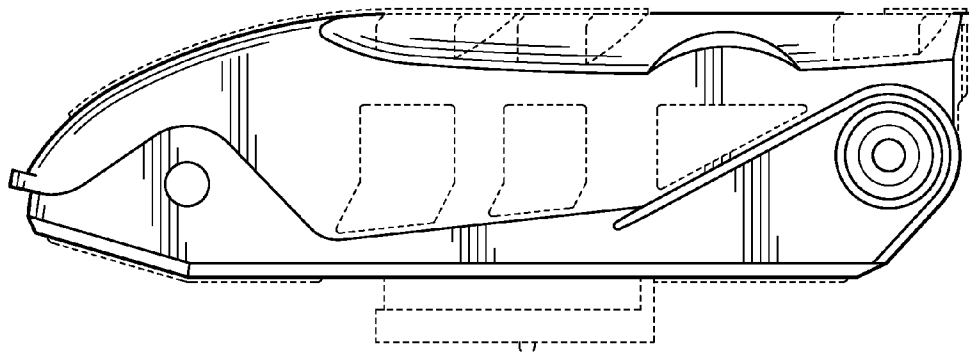
**Fig. 1**



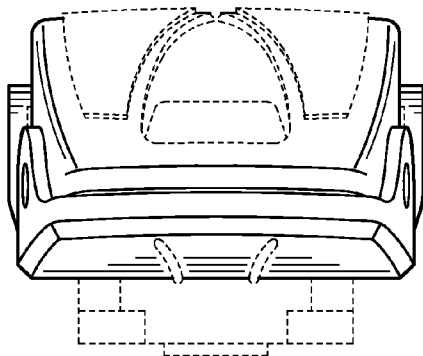
**Fig. 2**



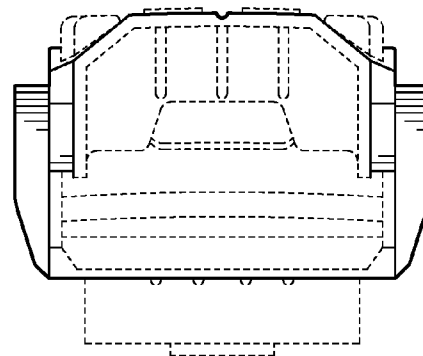
**Fig. 3**



**Fig. 4**



**Fig. 5**



**Fig. 6**

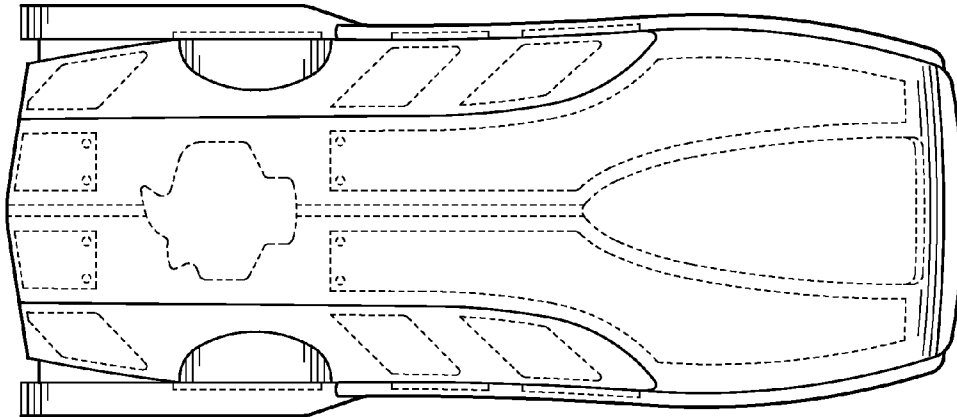


Fig. 7

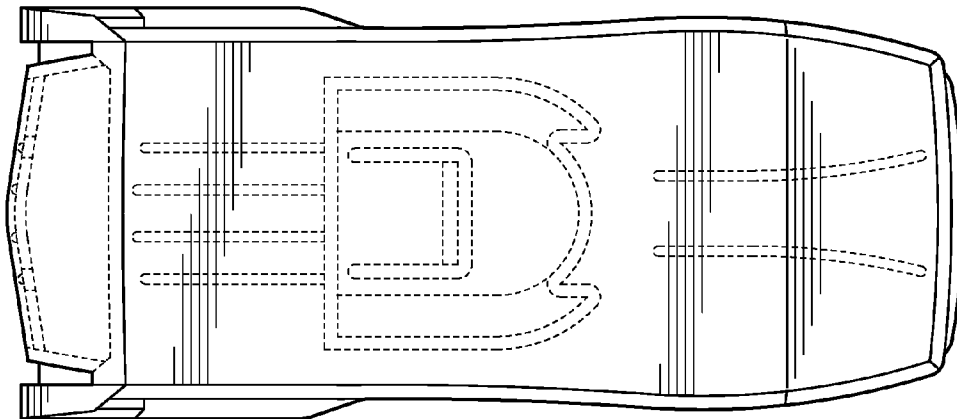


Fig. 8