



US00D480207S

(12) **United States Design Patent** (10) **Patent No.:** **US D480,207 S**  
Marks (45) **Date of Patent:** **\*\* Oct. 7, 2003**

(54) **COMBINED MULTI-PURPOSE TOOL AND GUN CLEANING KIT PACKAGE**

D417,953 S \* 12/1999 Guy et al. .... D3/226  
D428,250 S \* 7/2000 Reichardt ..... D3/228  
D429,563 S \* 8/2000 Kurano et al. .... D3/226

(75) Inventor: **Doreen Marks**, Turin, NY (US)

\* cited by examiner

(73) Assignee: **Otis Technology, Inc.**, Lyons Falls, NY (US)

*Primary Examiner*—Catherine R. Oliver  
(74) *Attorney, Agent, or Firm*—Hancock & Estabrook, LLP; James R. Muldoon

(\*\*) Term: **14 Years**

(57) **CLAIM**

(21) Appl. No.: **29/169,207**

The ornamental design for a combined multi-purpose tool and gun cleaning kit package, as shown and described.

(22) Filed: **Oct. 15, 2002**

(65) **Prior Publication Data**

**DESCRIPTION**

(65)  
(51) **LOC (7) Cl.** ..... **03-01**  
(52) **U.S. Cl.** ..... **D3/228**  
(58) **Field of Search** ..... D3/228, 226, 224, D3/223, 222, 215, 230, 247, 251, 252, 262; 224/901, 904, 914, 236, 240

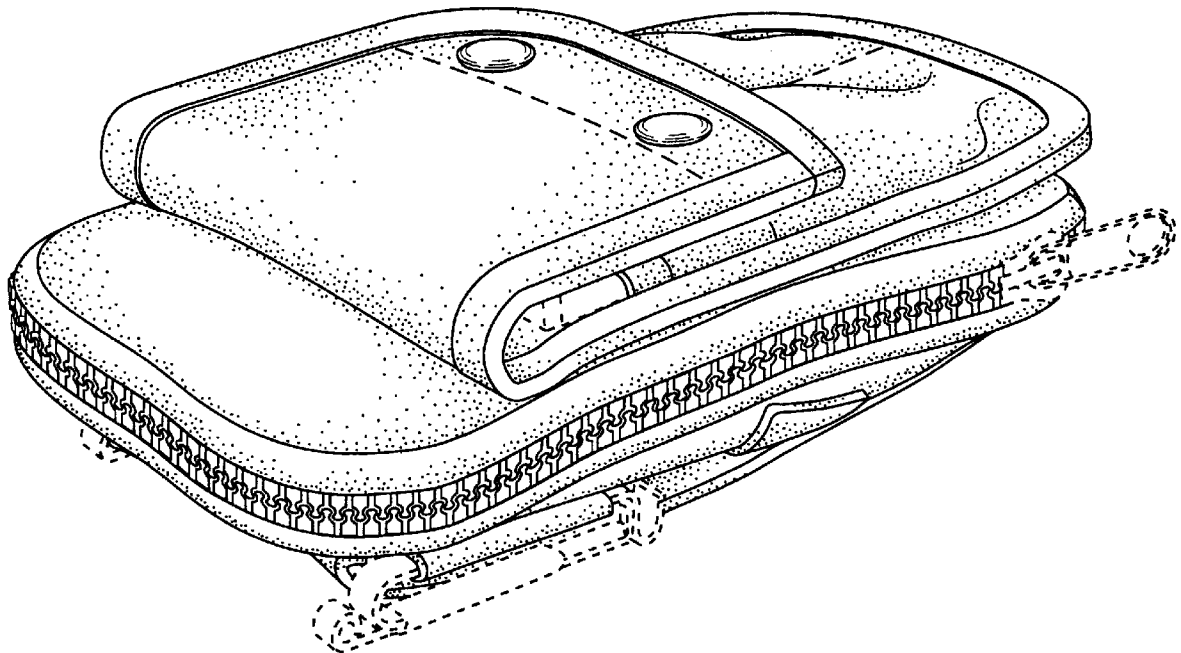
FIG. 1 is a perspective view of a new and ornamental design for a combined multi-purpose tool and gun cleaning kit package, the zipper-pull and tools shown in phantom for illustrative purposes only;  
FIG. 2 is a front elevation view thereof;  
FIG. 3 is a rear elevation view thereof;  
FIG. 4 is a right side elevation view thereof;  
FIG. 5 is a left side elevation view thereof;  
FIG. 6 is a top plan view thereof; and,  
FIG. 7 is a bottom plan view thereof.

(56) **References Cited**

**U.S. PATENT DOCUMENTS**

D283,269 S \* 4/1986 Durbin ..... D3/262

**1 Claim, 7 Drawing Sheets**



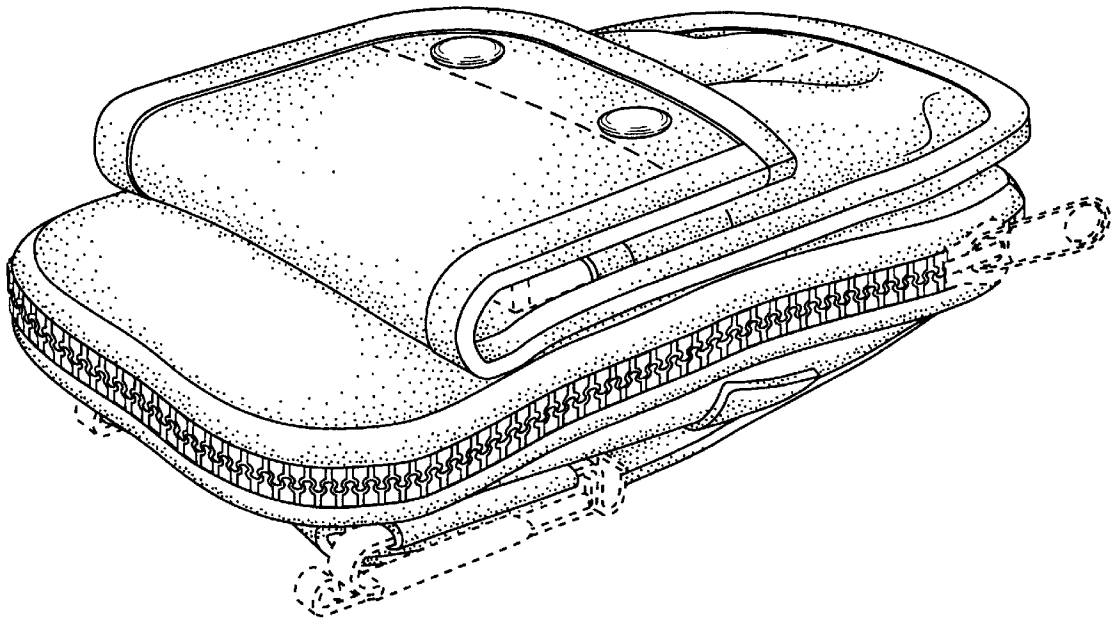


FIG. 1

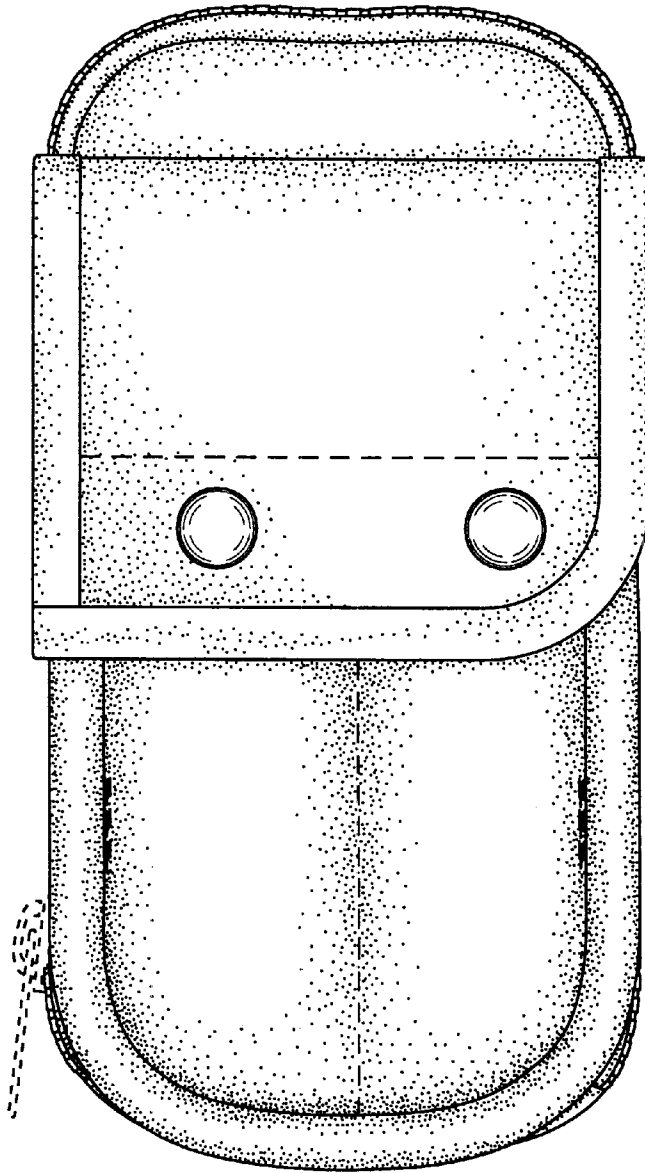


FIG. 2

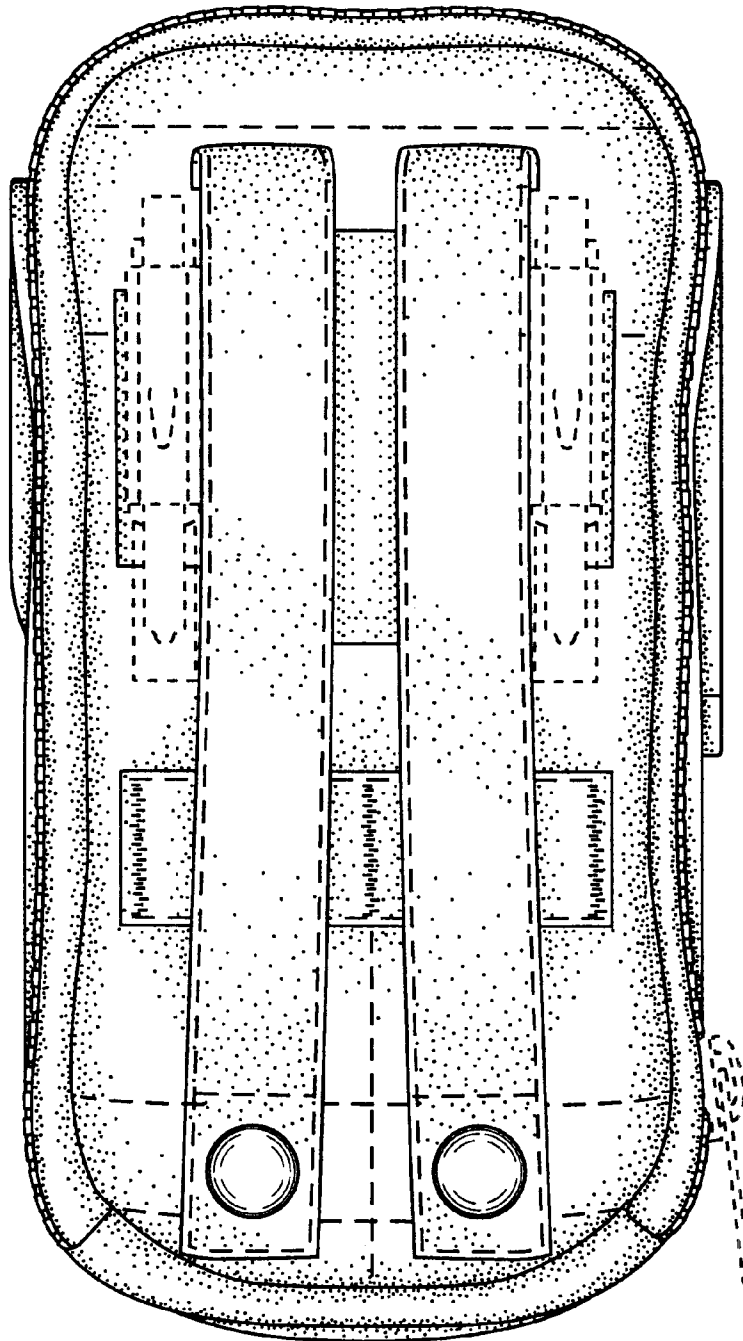


FIG. 3

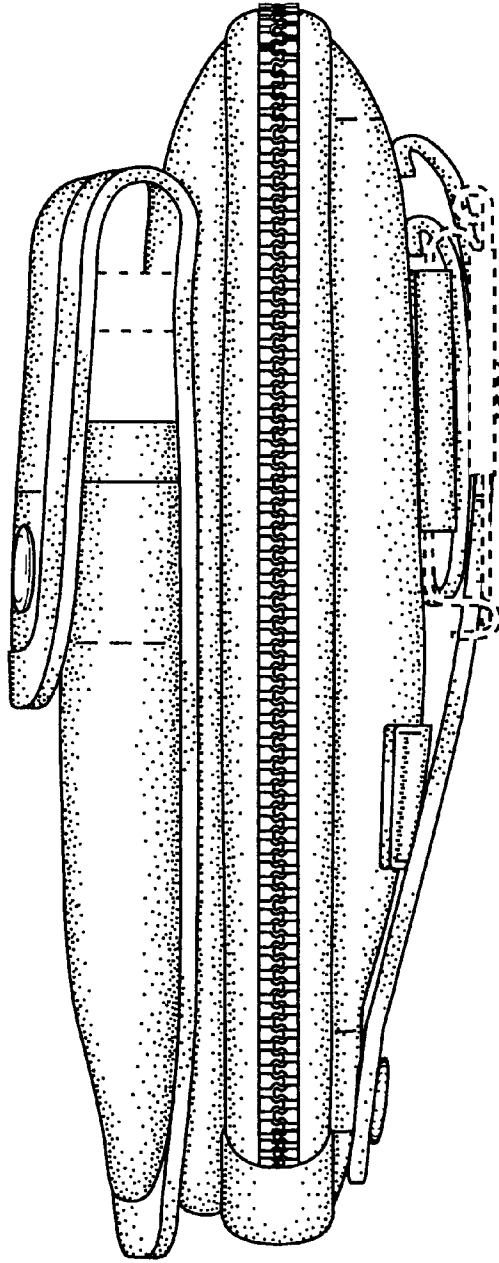


FIG. 4

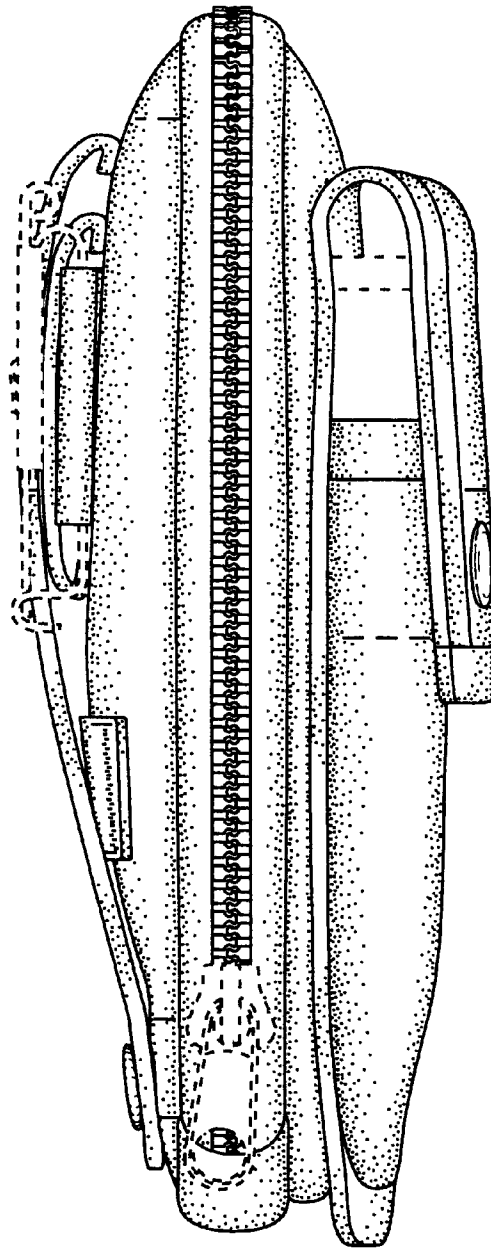


FIG. 5

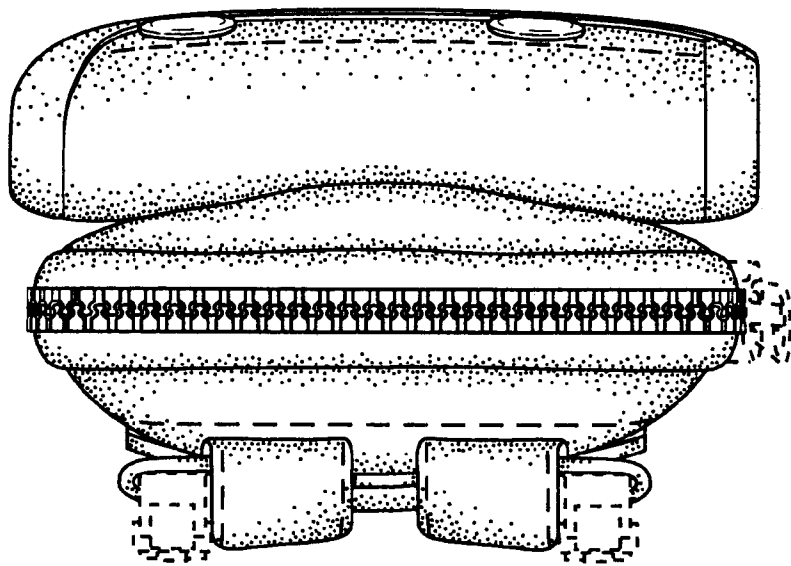


FIG. 6

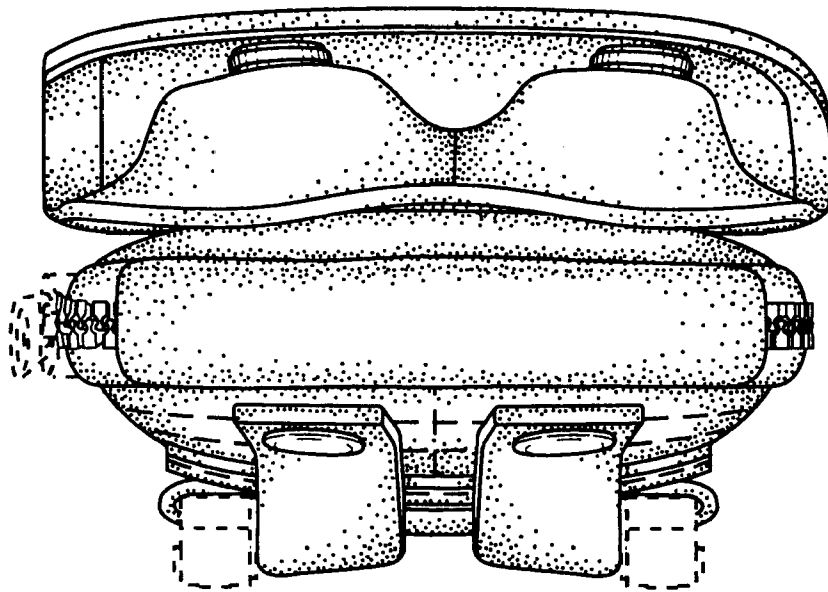


FIG. 7