



US00D953739S

(12) **United States Design Patent**
Akana et al.

(10) **Patent No.:** **US D953,739 S**
(45) **Date of Patent:** **** Jun. 7, 2022**

(54) **CASE**

CPC H04R 1/10; H04R 25/00; H04R 25/02;
H04R 1/1066; H04R 1/1016; B65D 5/00;
B65D 43/24; B65D 43/168
See application file for complete search history.

(71) Applicant: **Apple Inc.**, Cupertino, CA (US)

(72) Inventors: **Jody Akana**, San Francisco, CA (US);
Molly Anderson, San Francisco, CA
(US); **Bartley K. Andre**, Palo Alto, CA
(US); **Shota Aoyagi**, San Francisco, CA
(US); **Anthony Michael Ashcroft**, San
Francisco, CA (US); **Marine C.**
Bataille, San Francisco, CA (US);
Jeremy Bataillou, San Francisco, CA
(US); **Abidur Rahman Chowdhury**,
San Francisco, CA (US); **Markus**
Diebel, San Francisco, CA (US); **M.**
Evans Hankey, San Francisco, CA
(US); **Julian Hoenig**, San Francisco,
CA (US); **Richard P. Howarth**, San
Francisco, CA (US); **Jonathan P. Ive**,
San Francisco, CA (US); **Julian Jaede**,
San Francisco, CA (US); **Duncan**
Robert Kerr, San Francisco, CA (US);
Peter Russell-Clarke, San Francisco,
CA (US); **Benjamin Andrew Shaffer**,
San Jose, CA (US); **Sung-Ho Tan**, San
Francisco, CA (US); **Clement**
Tissandier, San Francisco, CA (US);
Eugene Antony Whang, San Francisco,
CA (US); **Rico Zörkendörfer**, San
Francisco, CA (US)

(56)

References Cited

U.S. PATENT DOCUMENTS

228,598	A	6/1880	Buckley
D49,217	S	6/1916	King
3,246,815	A	4/1966	Philip et al.
D245,818	S	9/1977	Persson
D281,281	S	11/1985	Norma
D285,687	S	9/1986	Manock et al.
D291,947	S	9/1987	Toshiaki
D306,519	S	3/1990	Nakata
D310,480	S	9/1990	Geiger
D312,629	S	12/1990	Esslinger
D322,752	S	12/1991	Jorg
D339,215	S	9/1993	Spencer, Jr.
D342,676	S	12/1993	Klaus
D349,644	S	8/1994	Hisakazu
D356,828	S	3/1995	Harris et al.
D364,708	S	11/1995	Tarrson et al.
D367,608	S	3/1996	Lucas
D380,355	S	7/1997	Wayne
D399,604	S	10/1998	Douglas
D404,201	S	1/1999	Joel
D422,139	S	4/2000	Howard
D426,950	S	6/2000	Gary
D427,424	S	7/2000	Gary
D436,434	S	1/2001	Conway
D463,907	S	10/2002	Lemoine
D464,941	S	10/2002	Latto et al.
D467,799	S	12/2002	Persson
D475,282	S	6/2003	Snaith et al.
D478,546	S	8/2003	Andre et al.
D479,823	S	9/2003	Andre et al.
D482,618	S	11/2003	Cummings
D493,257	S	7/2004	McCorkindale
D505,068	S	5/2005	Cunningham et al.
D506,744	S	6/2005	Andre et al.
D510,029	S	9/2005	Marcot
D528,012	S	9/2006	Snyder
D532,695	S	11/2006	Grant
D540,313	S	4/2007	Rausch et al.
D541,173	S	4/2007	Karussi et al.
D542,664	S	5/2007	Mayers
D576,037	S	9/2008	Beam et al.
D616,738	S	6/2010	Andre et al.
D637,647	S	5/2011	Allison et al.
D651,903	S	1/2012	Teller

(73) Assignee: **Apple Inc.**, Cupertino, CA (US)

(**) Term: **15 Years**

(21) Appl. No.: **29/705,726**

(22) Filed: **Sep. 13, 2019**

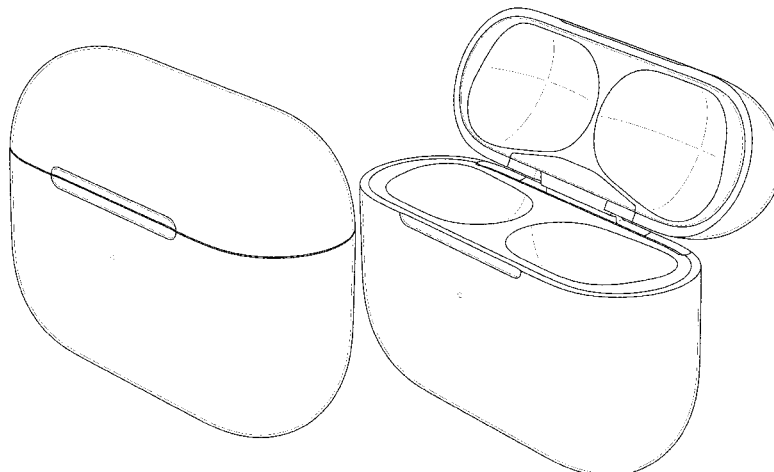
(51) **LOC (13) Cl.** **03-01**

(52) **U.S. Cl.**

USPC **D3/294; D14/223**

(58) **Field of Classification Search**

USPC **D3/294; D14/223**



D652,823	S	1/2012	Chen	
D672,642	S	12/2012	Supranowicz	
D681,015	S	4/2013	Akana et al.	
D683,902	S	6/2013	Zotalis	
D687,224	S	8/2013	Lacroix	
D691,372	S	10/2013	Chun	
D691,594	S	10/2013	Akana et al.	
D706,643	S	6/2014	Akana et al.	
8,739,967	B1	6/2014	George	
D708,784	S	7/2014	Kim	
D720,096	S	12/2014	McDougall	
D735,132	S	7/2015	Donohue, II et al.	
D735,991	S	8/2015	Brennan et al.	
D738,110	S	9/2015	Jiang et al.	
D740,653	S	10/2015	Akana et al.	
D772,572	S	11/2016	Palmborg et al.	
D775,463	S	1/2017	Shieh	
D775,960	S	1/2017	Erdwiens	
9,769,558	B2*	9/2017	Chandramohan	H04B 1/3888
D801,314	S	10/2017	Akana et al.	
D804,806	S	12/2017	Stueckemann et al.	
D806,388	S*	1/2018	Akana	D3/294
D816,322	S	5/2018	Choe et al.	
D818,268	S*	5/2018	Akana	D3/294
9,961,431	B2	5/2018	McPeak et al.	
10,003,880	B2	6/2018	Wagman et al.	
D822,374	S	7/2018	Hung et al.	
D826,152	S*	8/2018	Christiansen	D13/108
D838,480	S	1/2019	Son et al.	
10,206,474	B2*	2/2019	Brzezinski	H04R 1/1025
D846,264	S	4/2019	Wu	
D849,401	S*	5/2019	Akana	D3/274
D870,451	S	12/2019	Birger	
D873,217	S	1/2020	Zhang	
D878,045	S*	3/2020	Akana	D3/274
D881,572	S*	4/2020	Wang	D3/294
D887,351	S	6/2020	Bonahoom et al.	
D888,408	S	6/2020	Lee et al.	
10,701,472	B1	6/2020	Xu et al.	
D893,184	S*	8/2020	Liu	D3/294
D893,185	S*	8/2020	Liu	D3/294
D895,582	S*	9/2020	Wu	D14/223
D897,291	S*	9/2020	Akana	D13/120
D897,678	S*	10/2020	Koh	D3/294
D897,997	S*	10/2020	Zhang	D14/223
D902,588	S*	11/2020	Zhang	D3/294
D904,025	S*	12/2020	Ma	D3/295
D906,299	S*	12/2020	Luo	D14/223
D907,009	S*	1/2021	Akana	D14/223
D911,027	S*	2/2021	Liang	D3/274
D912,622	S*	3/2021	Zhou	D13/108
D918,138	S*	5/2021	Ma	D13/108
D922,946	S*	6/2021	Chen	D13/108
D923,609	S*	6/2021	Li	D14/223
D927,417	S*	8/2021	Sretovic	D13/108
D927,465	S*	8/2021	Wang	D14/223
D929,969	S*	9/2021	Ding	D14/223
D930,361	S*	9/2021	Jacobs	D3/294
D931,210	S*	9/2021	Lee	D13/108
D931,258	S*	9/2021	Ding	D14/223
D931,605	S*	9/2021	Zhu	D3/294
D931,838	S*	9/2021	Deng	D14/223
D932,468	S*	10/2021	Xin	D14/223
D933,595	S*	10/2021	Geng	D13/108
D933,636	S*	10/2021	Akana	D14/223
D934,563	S*	11/2021	Xiang	D3/294
D935,772	S*	11/2021	Chen	D3/294
D936,358	S*	11/2021	Lu	D3/273
2017/0094399	A1	3/2017	Chandramohan et al.	
2017/0245038	A1	8/2017	Chawan et al.	
2020/0107098	A1*	4/2020	DiFonzo	H01F 41/0246
2021/0352397	A1*	11/2021	Guo	H04R 1/1025
2021/0354886	A1*	11/2021	Ho	B65D 43/24
2021/0391739	A1*	12/2021	Venkatraman	H04R 1/1025

FOREIGN PATENT DOCUMENTS

CN	305299425 S	8/2019
JP	D1638460	7/2020
KR	300980148	11/2018

OTHER PUBLICATIONS

Amazon, “DUBS Noise Cancelling Music Ear Plugs”, dated Nov. 26, 2014. (<https://www.amazon.com/DUBS-Noise-Cancelling-Music-Plugs/dp/B00NWIIZ5Q>).

“Samsung’s stylish mobile accessories are launching worldwide” (via engadget), dated Oct. 31, 2016, (online), Available from internet, (URL: <https://www.engadget.com/2016/10/31/samsung-stylish-mobile-accessories/#/>).

Kogan, “Reviews of Kogan W8 II True Wireless Earphones (Black)”, comment on pictured model dated Aug. 7, 2019. Retrieved from the Internet: (<https://www.kogan.com/au/review/kogan-w8-ii-true-wireless-earphones-black/>), 6 pages.

“Review: Hush smart earplugs put a waterfall in your ear”, dated May 11, 2016, (online); Available from internet, (URL: <https://newatlas.com/hush-smart-earplug-review/43272/>).

Round corners for Openscad—Tutorial (written by William A Adams), dated Jun. 15, 2011, (online); Available from internet, (URL: <https://www.thingiverse.com/thing:9347>).

Urbanista, “Stockholm”, dated Apr. 21, 2019; Retrieved from the Internet: (URL: <http://www.urbanista.com/us/stockholm>), 22 pages. Veho Pebble Explorer Portable Power Bank, dated Oct. 30, 2014, (online); Available from internet, (URL: https://www.amazon.com/gp/product/B00FS6YQWY/ref=as_li_tl?tag=travelfcom0-a-20&ie=UTF8&camp=1789&creative=390957&creativeASIN=B00FS6YQWY&linkCode=as-2&linkId=RXUJDO2BX2CNJTUK).

* cited by examiner

Primary Examiner — Leanne Was-Englehart
(74) Attorney, Agent, or Firm — Sterne, Kessler, Goldstein & Fox P.L.L.C.

(57) CLAIM

The ornamental design for a case, as shown and described.

DESCRIPTION

FIG. 1 is a front perspective view thereof in an open position;
 FIG. 2 is a front view thereof;
 FIG. 3 is a rear view thereof;
 FIG. 4 is a left side view thereof;
 FIG. 5 is a right side view thereof;
 FIG. 6 is a top view thereof;
 FIG. 7 is a bottom view thereof;
 FIG. 8 is a rear perspective view thereof;
 FIG. 9 is a front perspective view thereof in an open position;
 FIG. 10 is a front view thereof;
 FIG. 11 is a rear view thereof;
 FIG. 12 is a left side view thereof;
 FIG. 13 is a right side view thereof;
 FIG. 14 is a top view thereof;
 FIG. 15 is a bottom view thereof;
 FIG. 16 is a cross-sectional view thereof taken along line 16-16 in FIG. 12; and,
 FIG. 17 is a front perspective view thereof in an environment in which it may be used.
 The broken lines in the figures show portions of the case and environment that form no part of the claimed design.

The cross hatching in FIG. 16 forms no part of the claimed design.

1 Claim, 14 Drawing Sheets

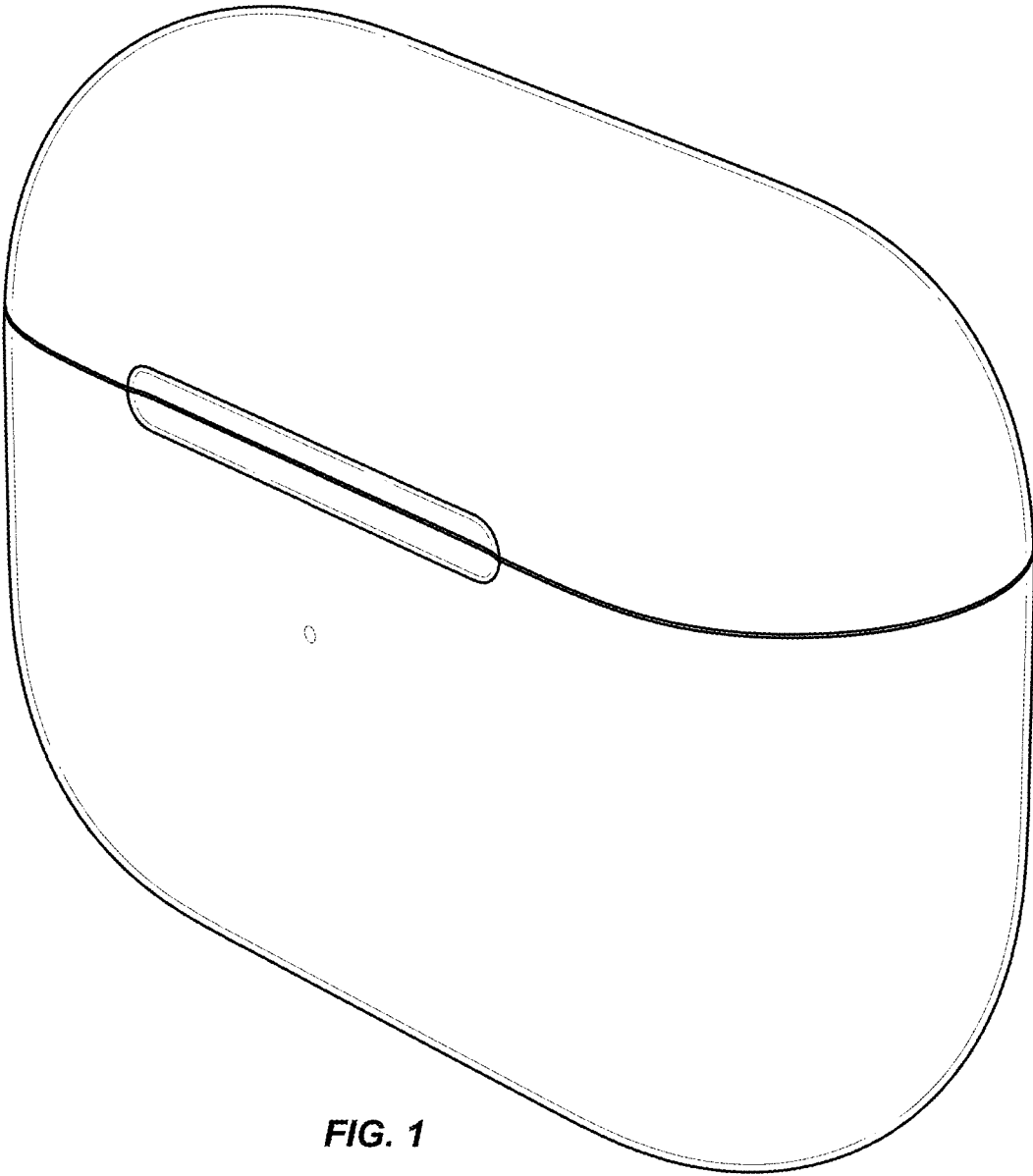


FIG. 1

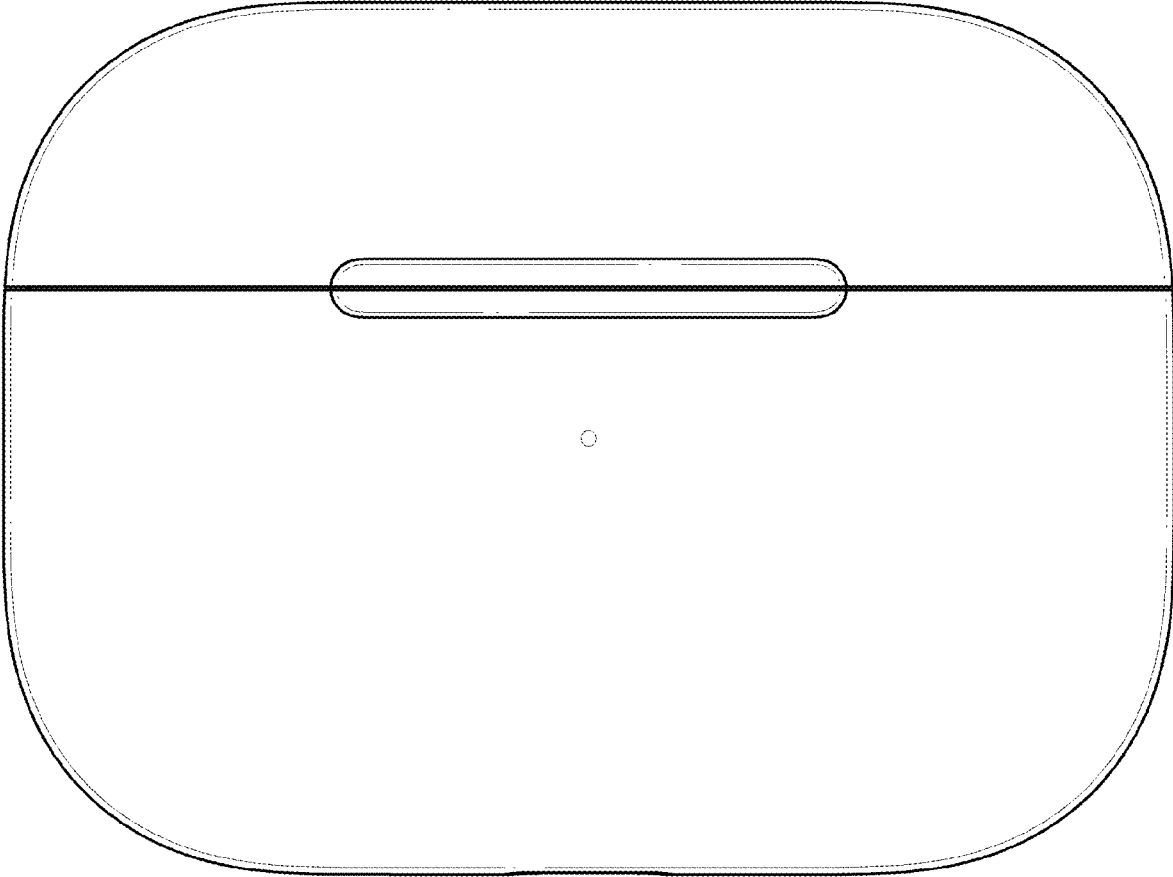


FIG. 2

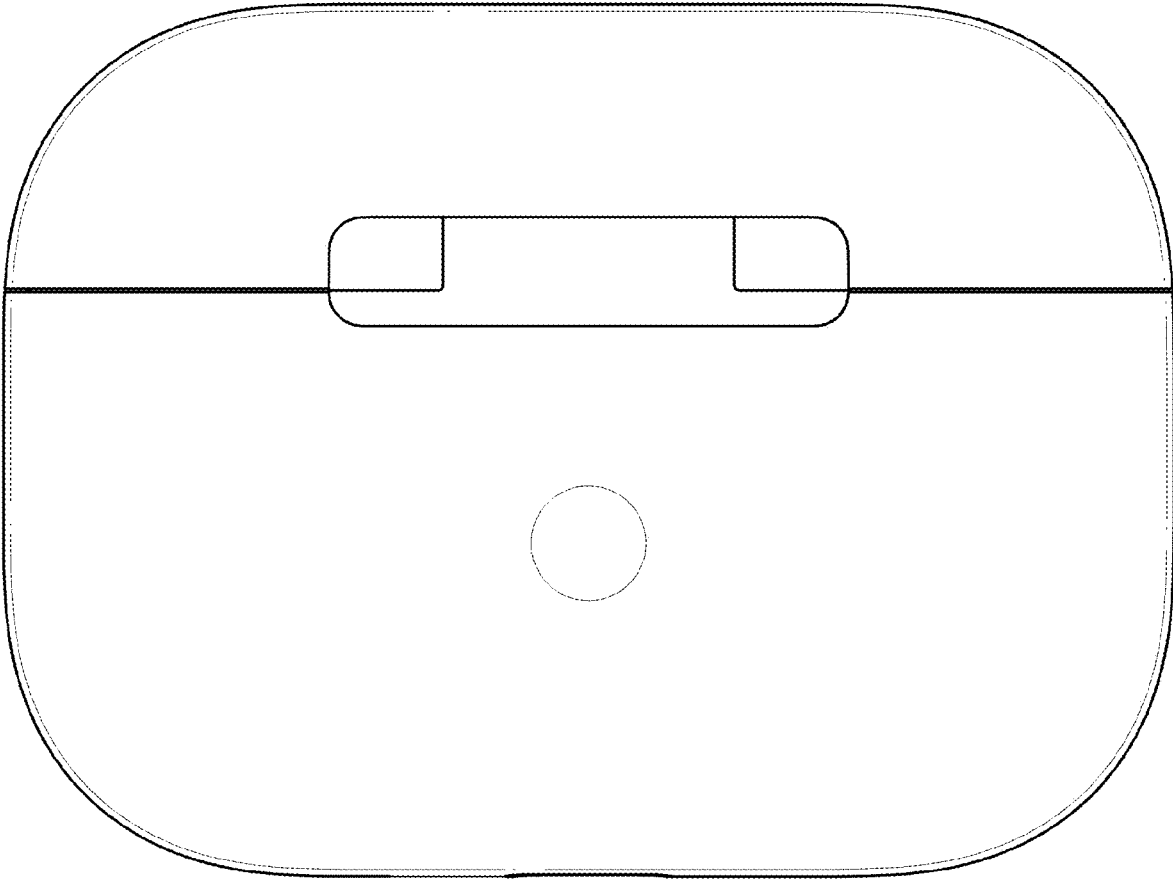


FIG. 3

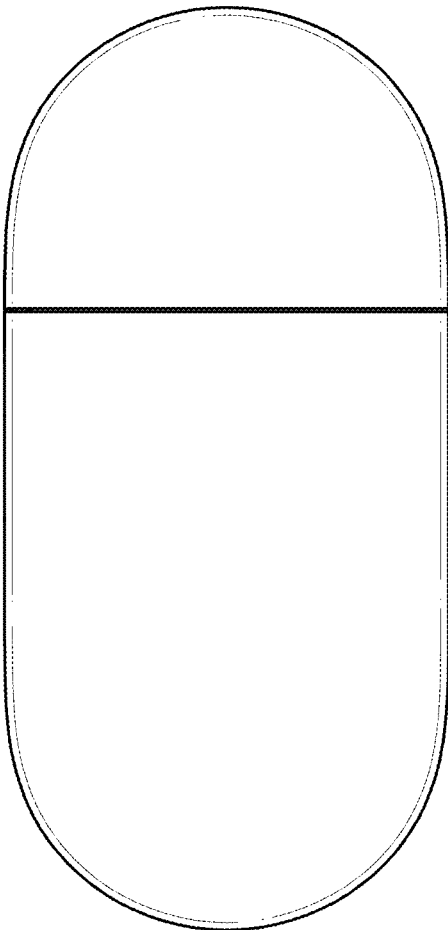


FIG. 4

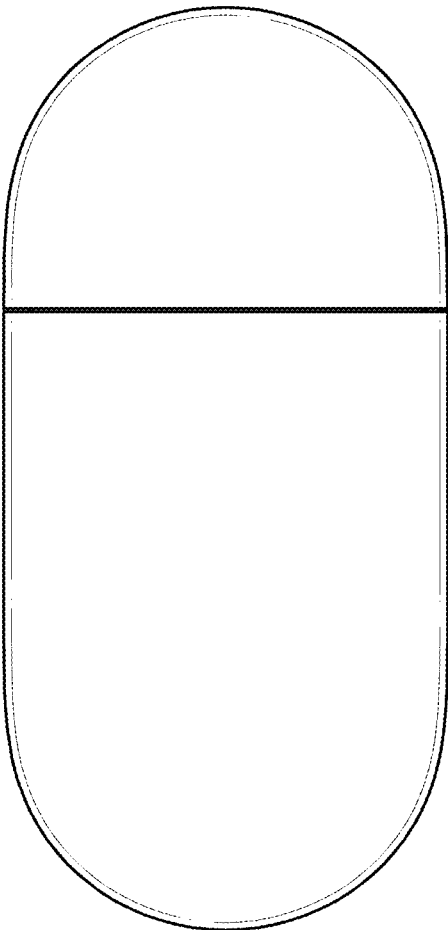


FIG. 5

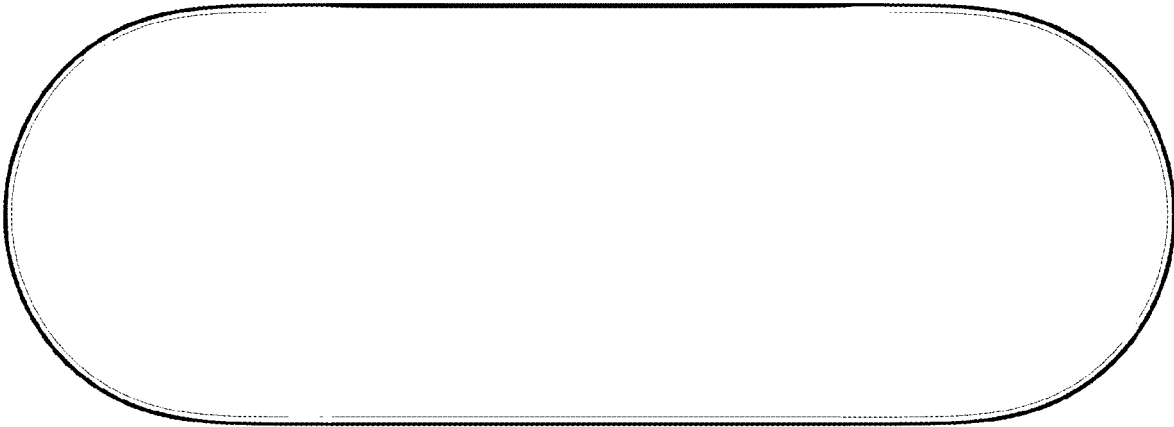


FIG. 6

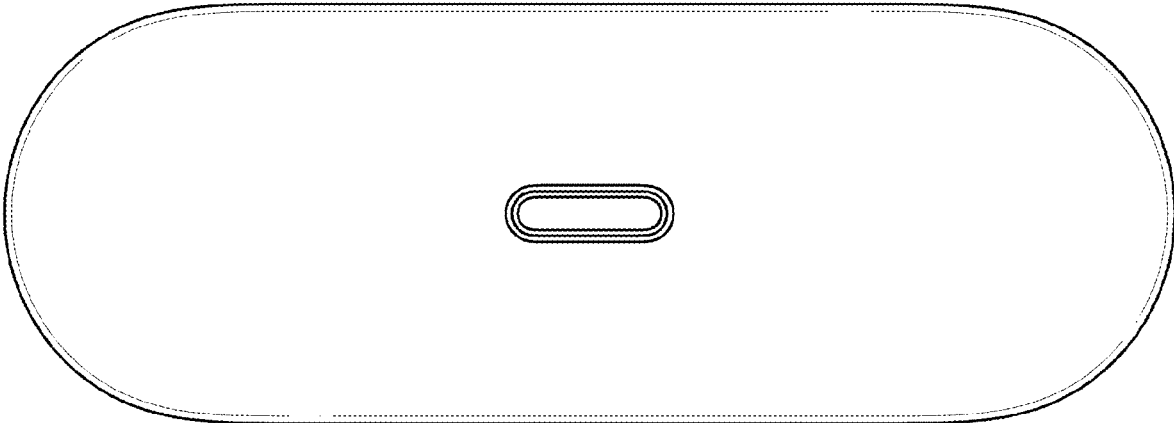


FIG. 7

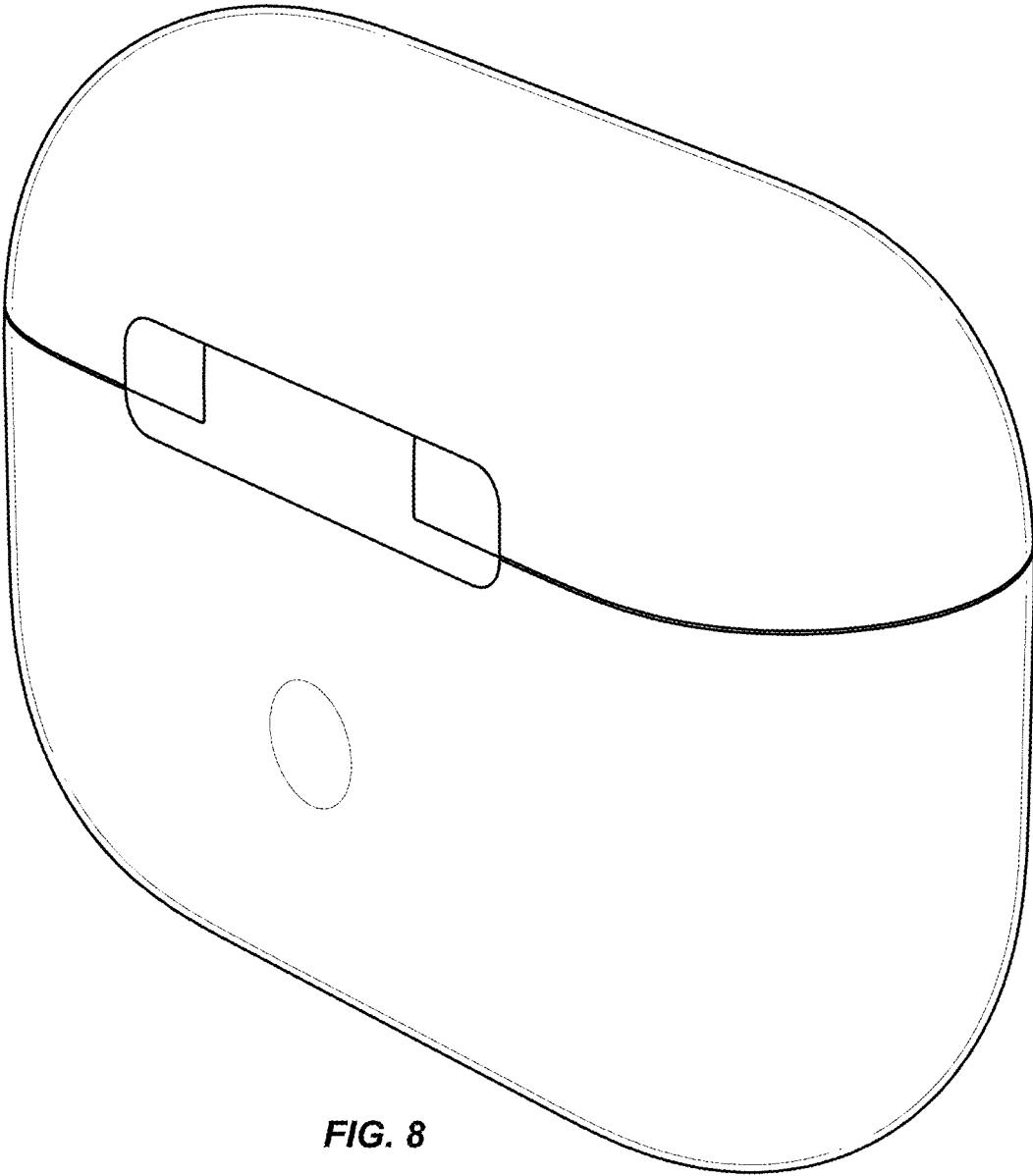


FIG. 8

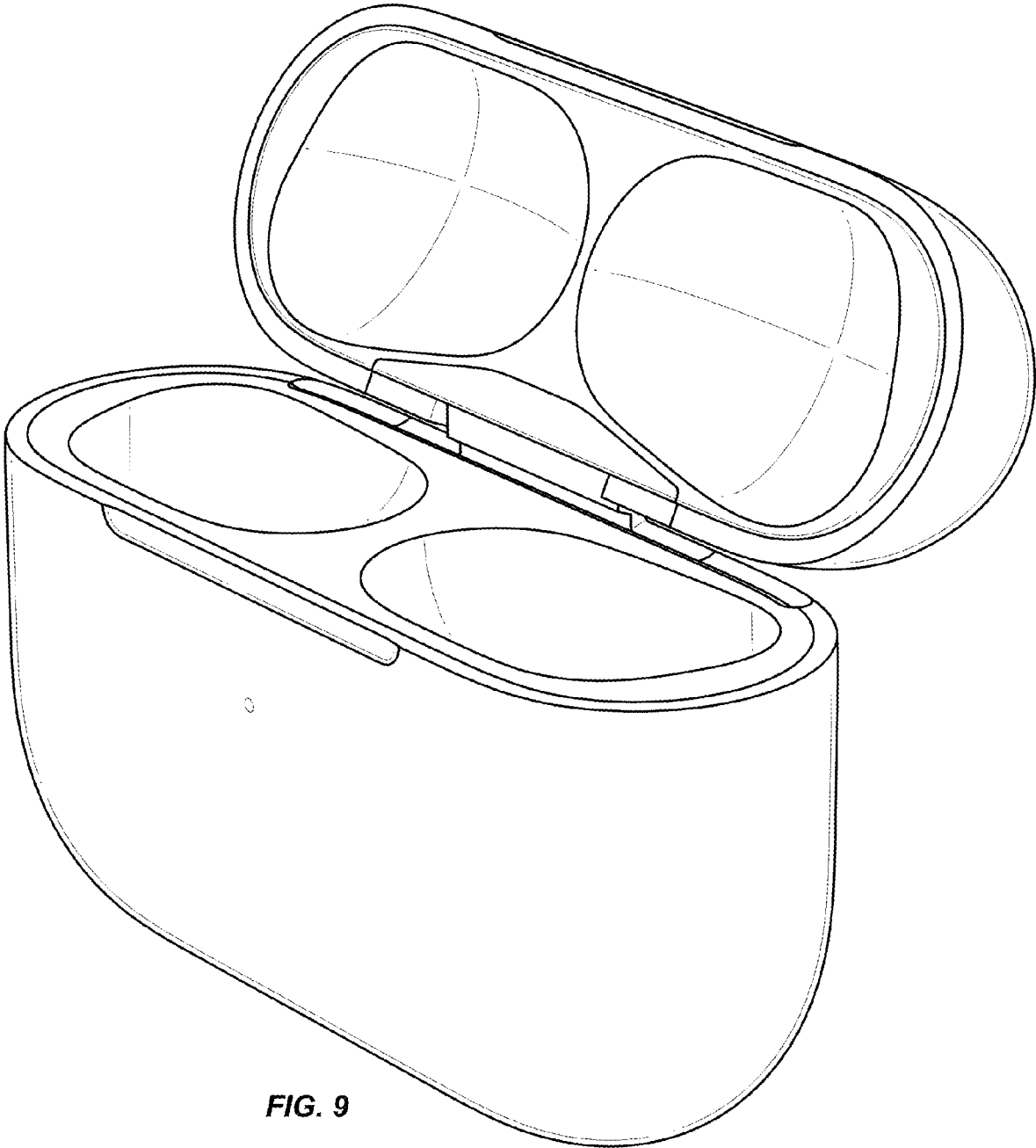


FIG. 9

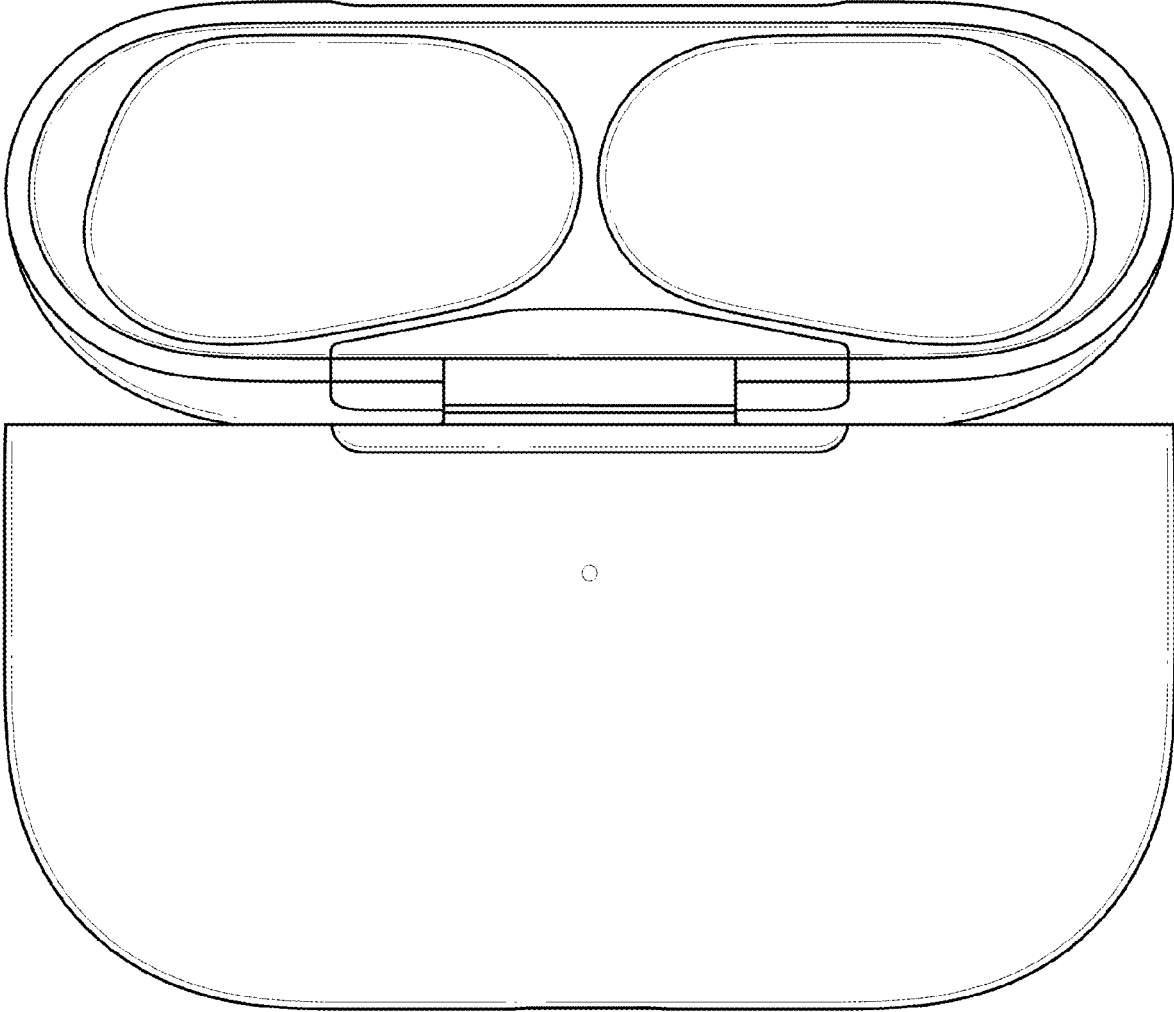


FIG. 10

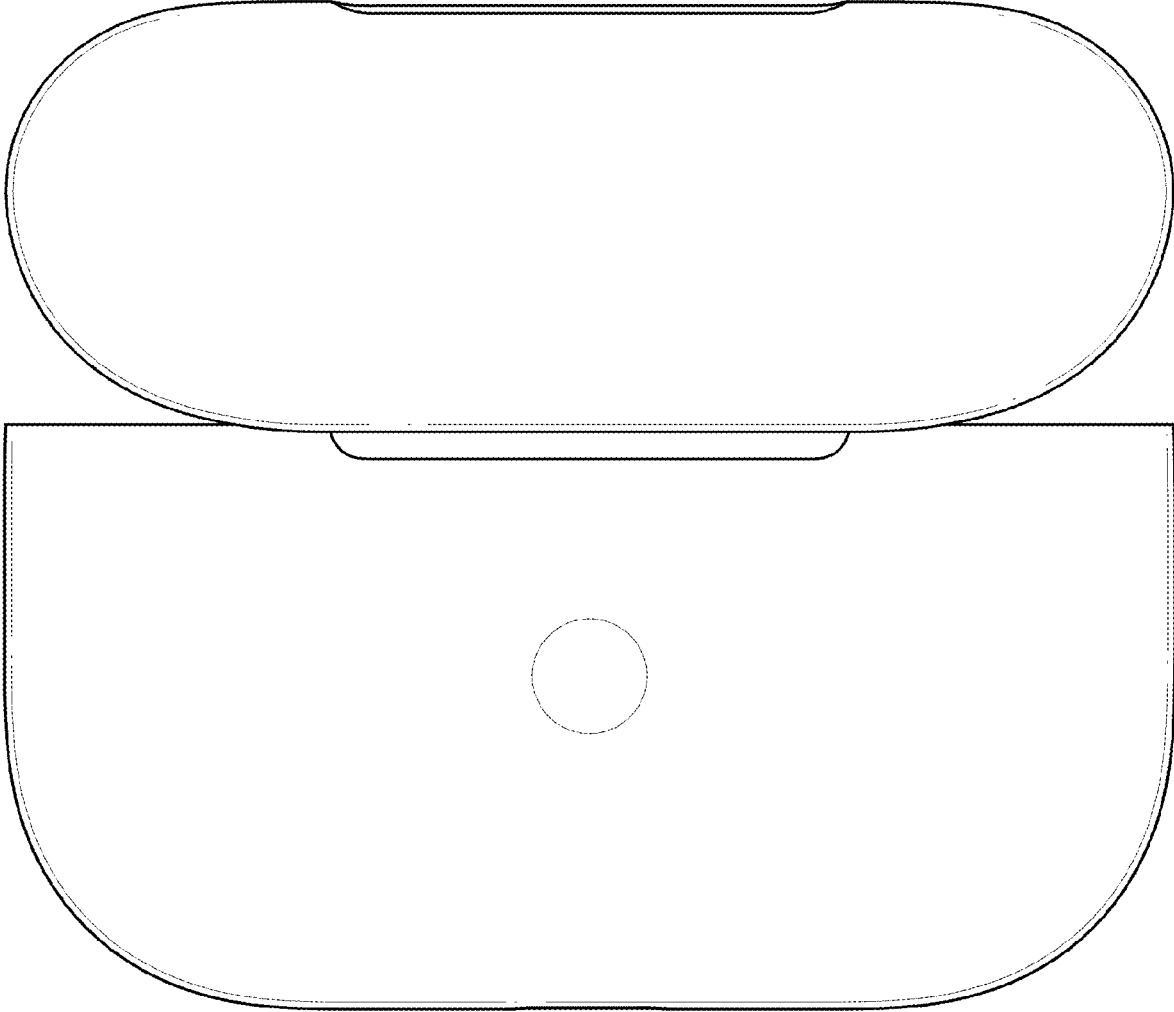


FIG. 11

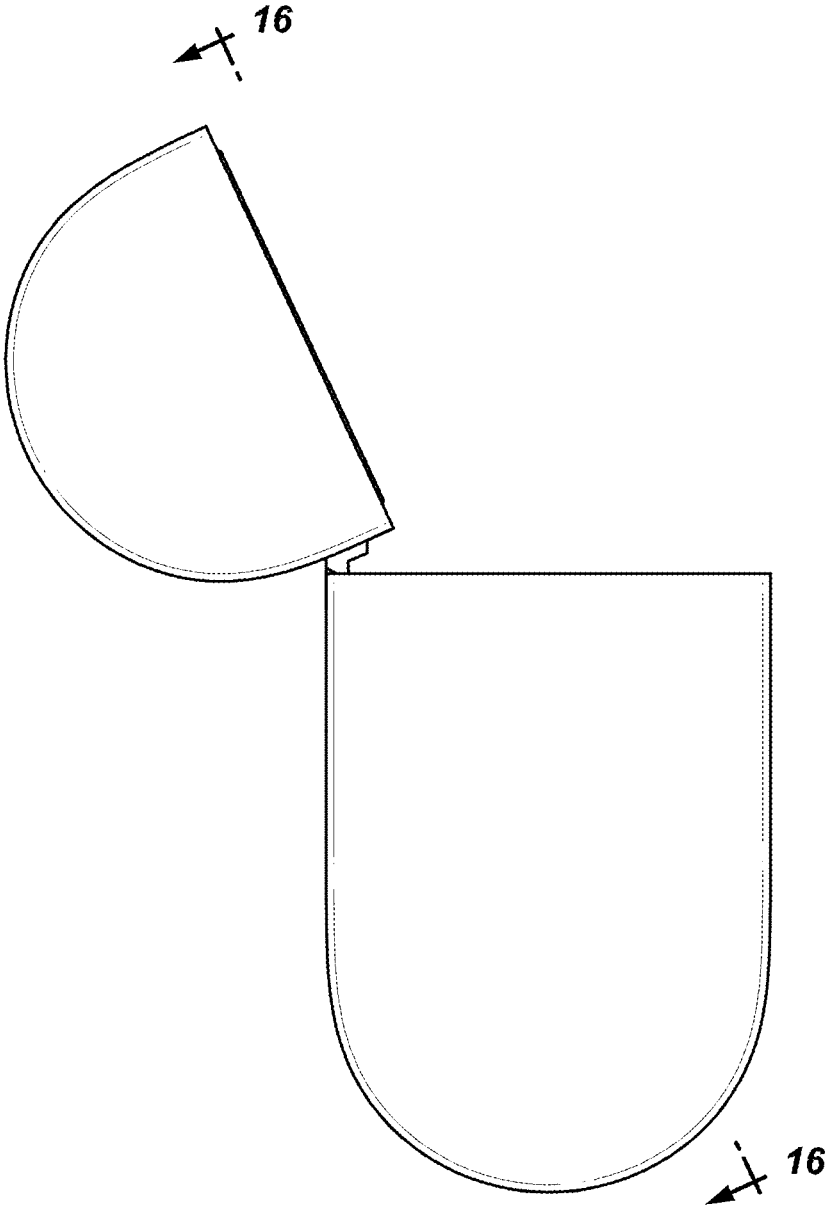


FIG. 12

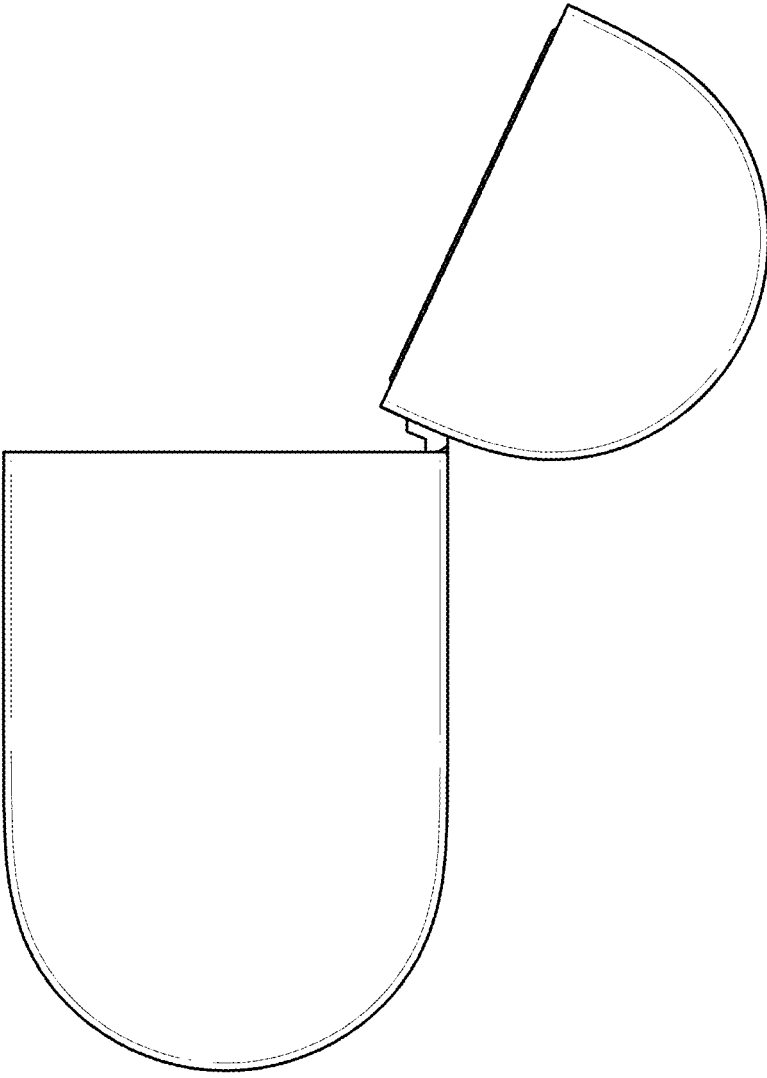


FIG. 13

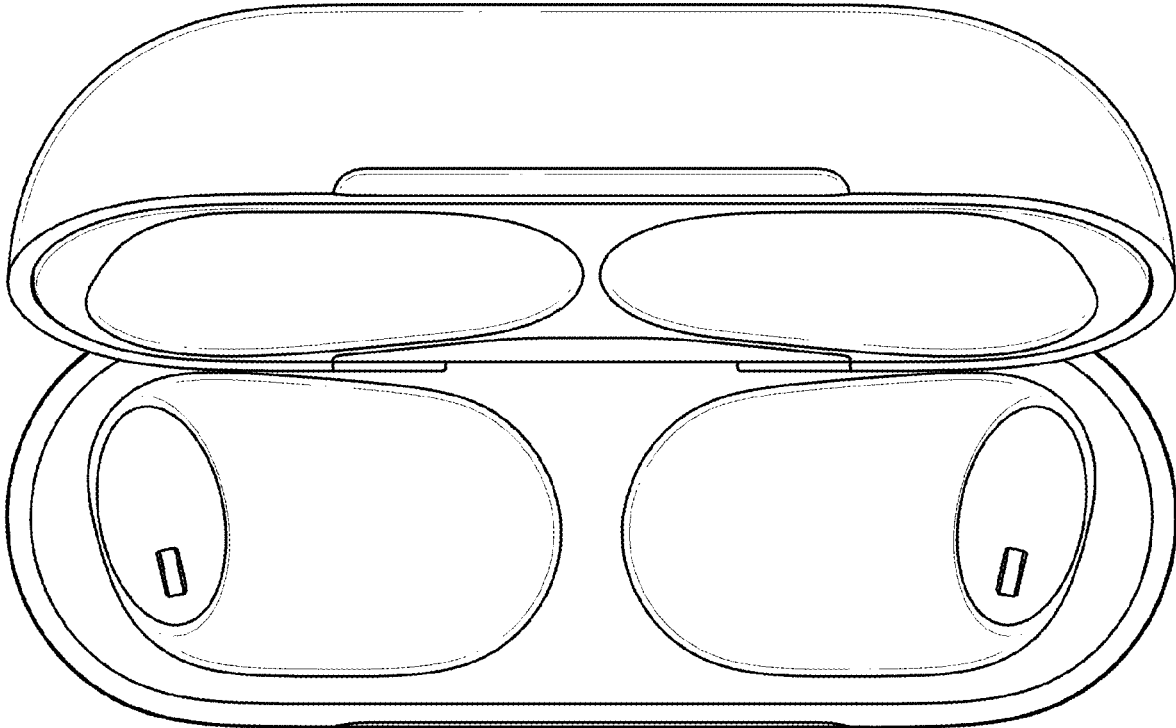


FIG. 14

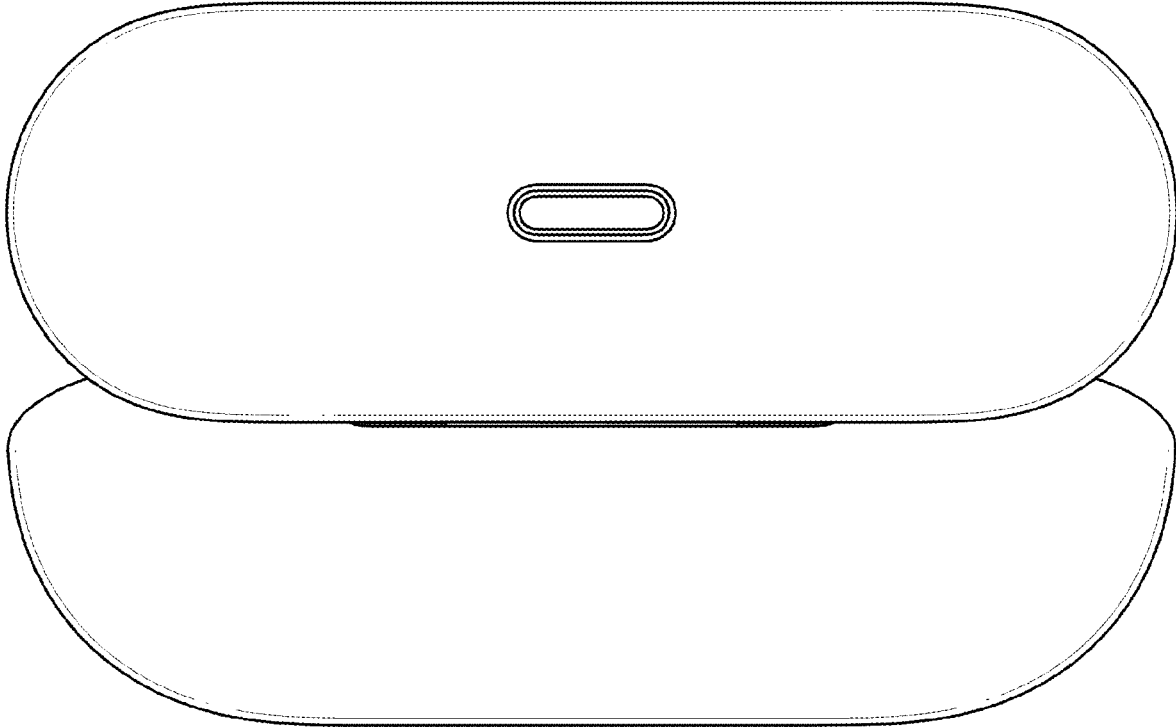


FIG. 15

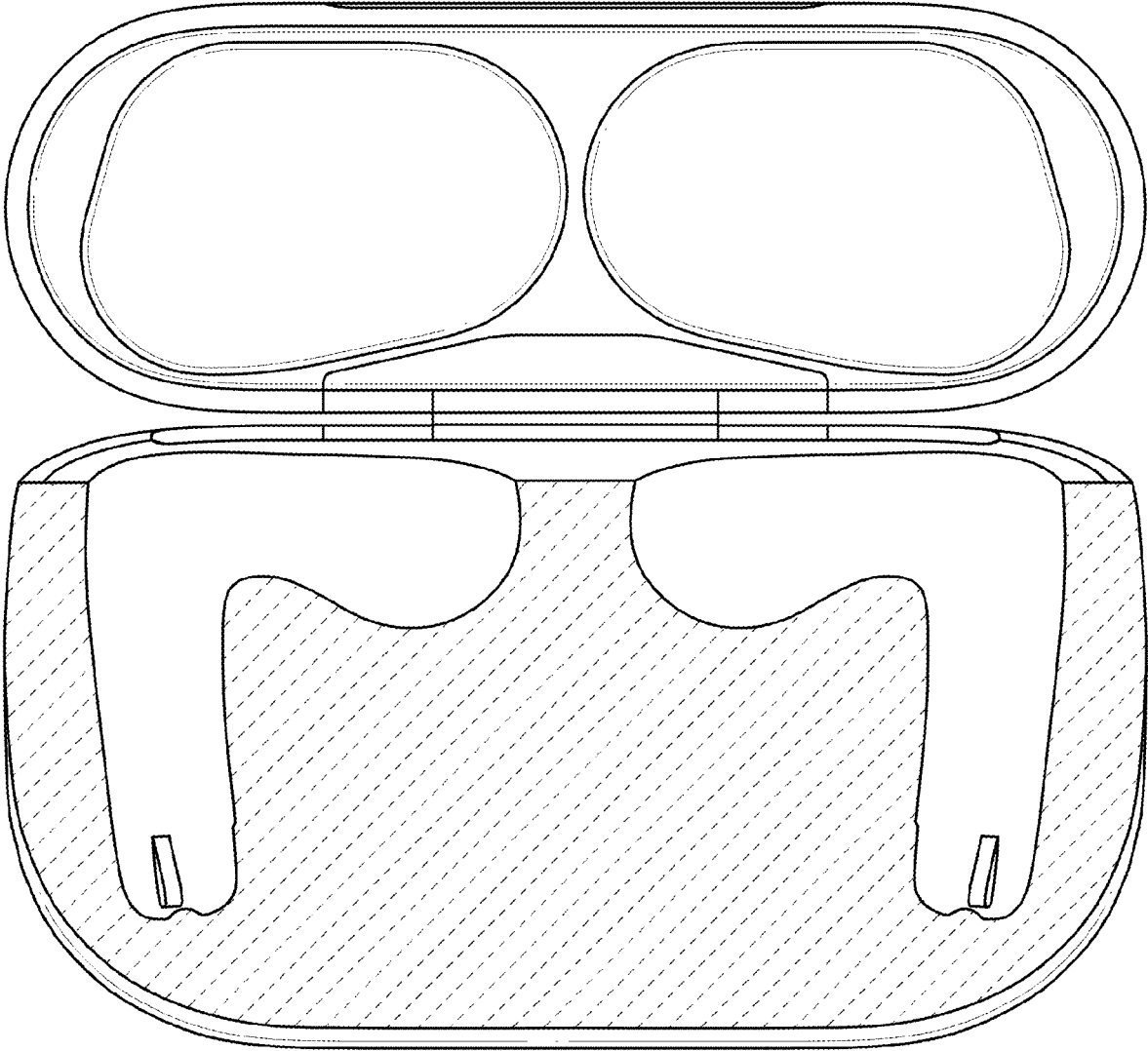


FIG. 16

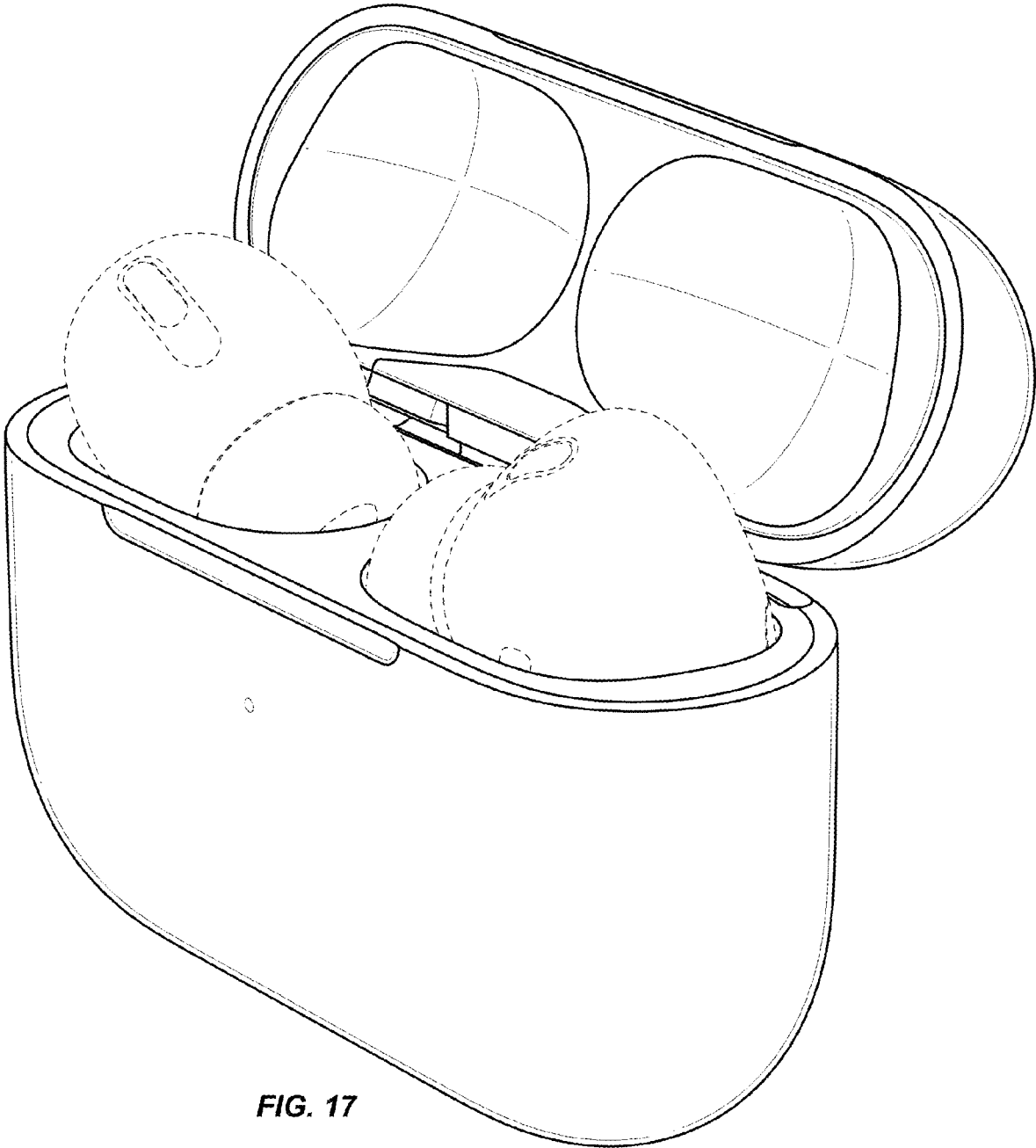


FIG. 17