



US00D673503S

(12) **United States Design Patent**
Lee et al.

(10) **Patent No.:** US D673,503 S
(45) **Date of Patent:** ** Jan. 1, 2013

(54) **POWER STRIP**

(75) Inventors: **Noel Lee**, Las Vegas, NV (US); **Minki Bang**, Daly City, CA (US)

(73) Assignee: **Monster Cable Products, Inc.**,
Brisbane, CA (US)

(**) Term: **14 Years**

(21) Appl. No.: **29/403,123**

(22) Filed: **Sep. 30, 2011**

(51) **LOC (9) Cl.** **13-03**

(52) **U.S. Cl.** **D13/139.8**

(58) **Field of Classification Search** D13/137.1,
D13/137.2, 137.3, 137.4, 138.1, 138.2, 139.1,
D13/139.2, 139.3, 139.4, 139.5, 139.6, 139.7,
D13/139.8, 101, 110, 123, 107, 108, 133,
D13/154, 184, 199; 439/131, 166, 628, 101,
439/102, 105, 106, 108, 172, 173, 174, 175,
439/177, 476.1, 578, 583, 620.15, 620.17;
363/15, 146, 34; 307/151; 320/111, 114;
174/493, 494, 66, 67

See application file for complete search history.

(56) **References Cited**

U.S. PATENT DOCUMENTS

D217,251	S	*	4/1970	Kahn	D13/139.8
D270,629	S	*	9/1983	Drew	D13/139.7
D350,940	S	*	9/1994	Rossmann et al.	D13/139.8
D354,731	S	*	1/1995	Lee	D13/139.8
5,708,554	A	*	1/1998	Liner	361/104
D446,189	S		8/2001	Lee		
D446,503	S		8/2001	Lee		
D484,098	S	*	12/2003	Lee	D13/139.8
D495,658	S	*	9/2004	Cho	D13/137.3
D537,040	S	*	2/2007	Chesebro et al.	D13/139.8
D546,766	S	*	7/2007	Tropp	D13/139.6

D556,689	S		12/2007	Lee et al.		
7,358,625	B2	*	4/2008	Cheng et al.	307/18
D576,553	S	*	9/2008	Lee et al.	D13/139.6
D581,873	S	*	12/2008	Zhou	D13/139.6
D637,955	S		5/2011	Lee et al.		
D641,702	S	*	7/2011	Chuang	D13/139.8
D644,180	S		8/2011	Lee et al.		

OTHER PUBLICATIONS

U.S. Appl. No. 29/398,823, filed Aug. 4, 2011, Noel Lee, et al.
U.S. Appl. No. 29/402,986, filed Sep. 29, 2011, Noel Lee, et al.
U.S. Appl. No. 29/402,982, filed Sep. 29, 2011, Noel Lee, et al.
U.S. Appl. No. 29/402,976, filed Sep. 29, 2011, Noel Lee, et al.

* cited by examiner

Primary Examiner — Angela J Lee

(74) *Attorney, Agent, or Firm* — LaRiviere, Grubman & Payne, LLP

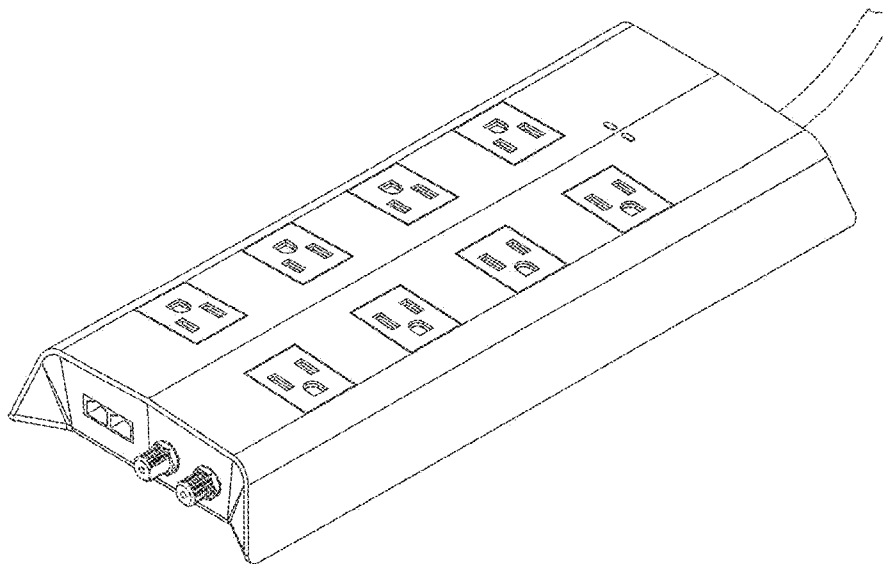
(57) **CLAIM**

The ornamental design for a power strip, as shown and described.

DESCRIPTION

FIG. 1 is a perspective view of a power strip, showing our design;
FIG. 2 is a top view thereof;
FIG. 3 is a bottom view thereof;
FIG. 4 is a side view thereof;
FIG. 5 is an opposing side view thereof;
FIG. 6 is an end view thereof; and,
FIG. 7 is an opposing end view thereof.
The broken lines showing the environment are for illustrative purposes only.
The broken lines form no part of the claimed design.

1 Claim, 4 Drawing Sheets



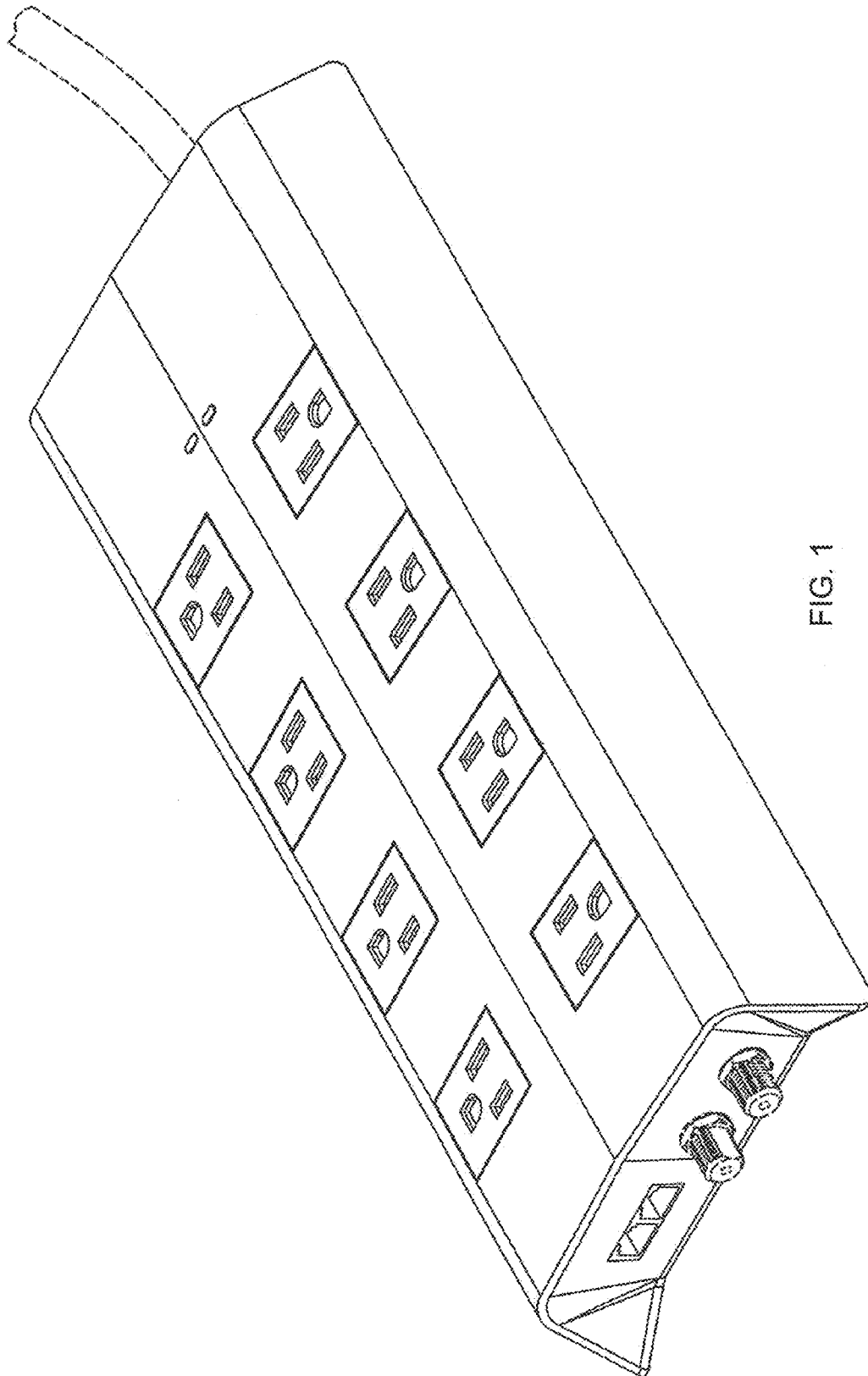


FIG. 1

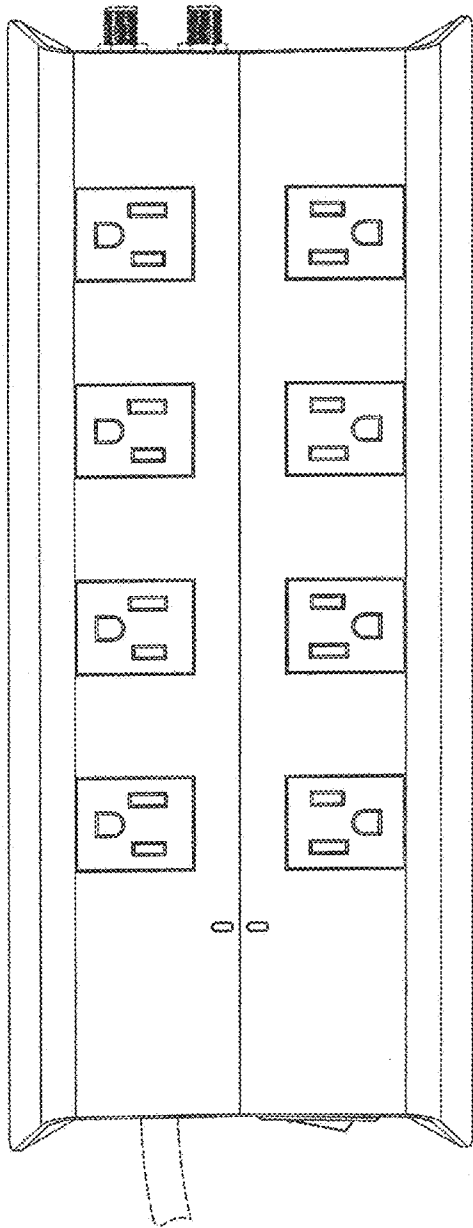


FIG. 2

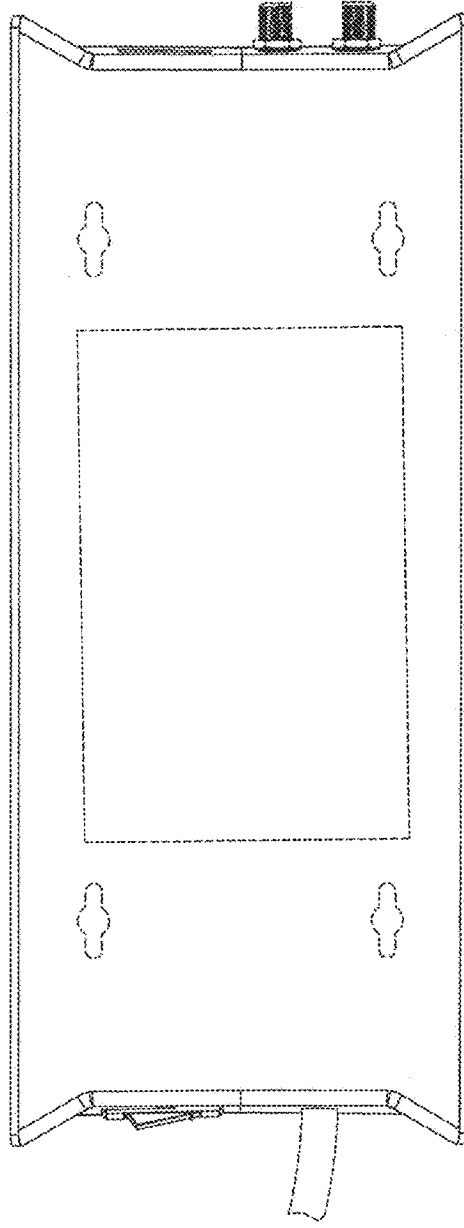


FIG. 3

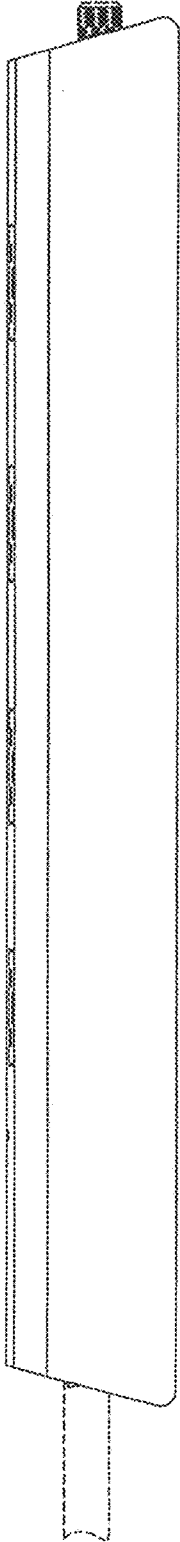


FIG. 4

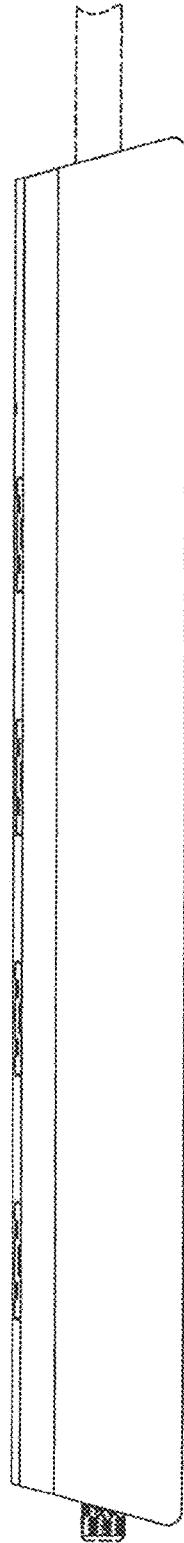


FIG. 5

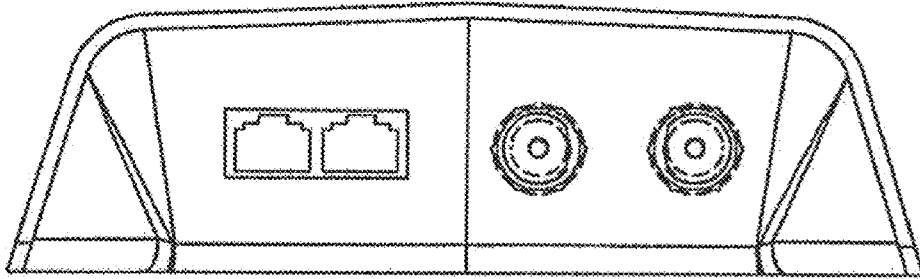


FIG. 6

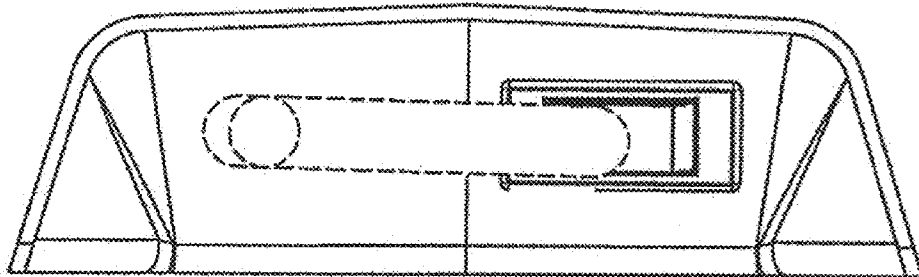


FIG. 7