



US00D495333S1

(12) **United States Design Patent**
Borsboom

(10) **Patent No.:** **US D495,333 S**

(45) **Date of Patent:** **** Aug. 31, 2004**

(54) **LIQUID CRYSTAL DISPLAY**

D476,653 S * 7/2003 Zuege et al. D14/371

(75) Inventor: **Antonious M. Borsboom**, Amara
Corporate Tower (SG)

* cited by examiner

Primary Examiner—Freda S. Nunn

(73) Assignee: **Hannspree, Inc.**, Taipei (TW)

(74) *Attorney, Agent, or Firm*—Haverstock & Owens LLP

(**) Term: **14 Years**

(57) **CLAIM**

The ornamental design for a liquid crystal display, as shown and described.

(21) Appl. No.: **29/197,356**

(22) Filed: **Jan. 13, 2004**

DESCRIPTION

(51) **LOC (7) Cl.** **14-02**

FIG. 1 is a perspective view of a liquid crystal display of my design;

(52) **U.S. Cl.** **D14/371**

FIG. 2 is a right side elevational view of the liquid crystal display of FIG. 1;

(58) **Field of Search** D14/371-375,
D14/125-129; 345/104, 156, 168, 173,
901-905, 87; 348/180, 184, 325, 739; 349/1,
2, 11, 62; 341/12; 248/917-924; D21/515,
329; 312/204; 40/594

FIG. 3 is a top plan view of the liquid crystal display of FIG. 1;

FIG. 4 is a front elevational view of the liquid crystal display of FIG. 1;

(56) **References Cited**

U.S. PATENT DOCUMENTS

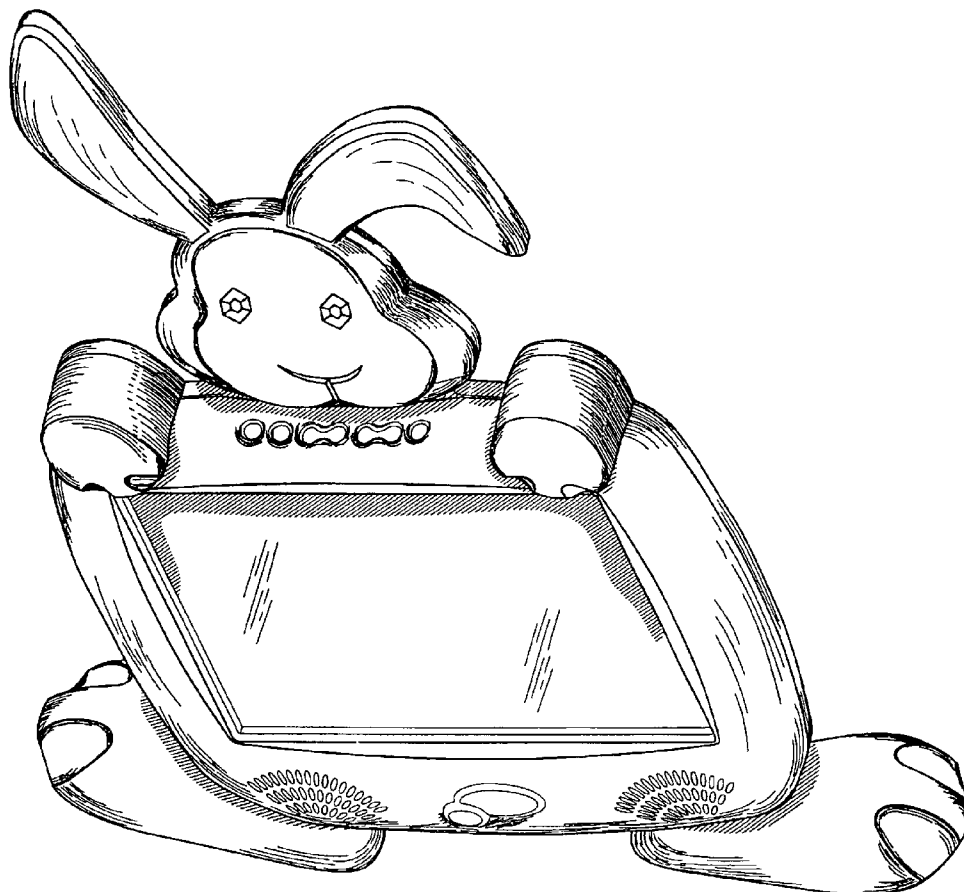
- 5,072,998 A * 12/1991 Oh 312/204
- 5,564,209 A * 10/1996 Zagnoli 40/594
- D406,613 S * 3/1999 Nakanishi D21/329
- D456,049 S * 4/2002 Hood D21/515
- D473,556 S * 4/2003 Zuege et al. D14/371

FIG. 5 is a bottom plan view of the liquid crystal display of FIG. 1;

FIG. 6 is a left side elevational view of the liquid crystal display of FIG. 1; and,

FIG. 7 is a rear elevational view of the liquid crystal display of FIG. 1.

1 Claim, 7 Drawing Sheets



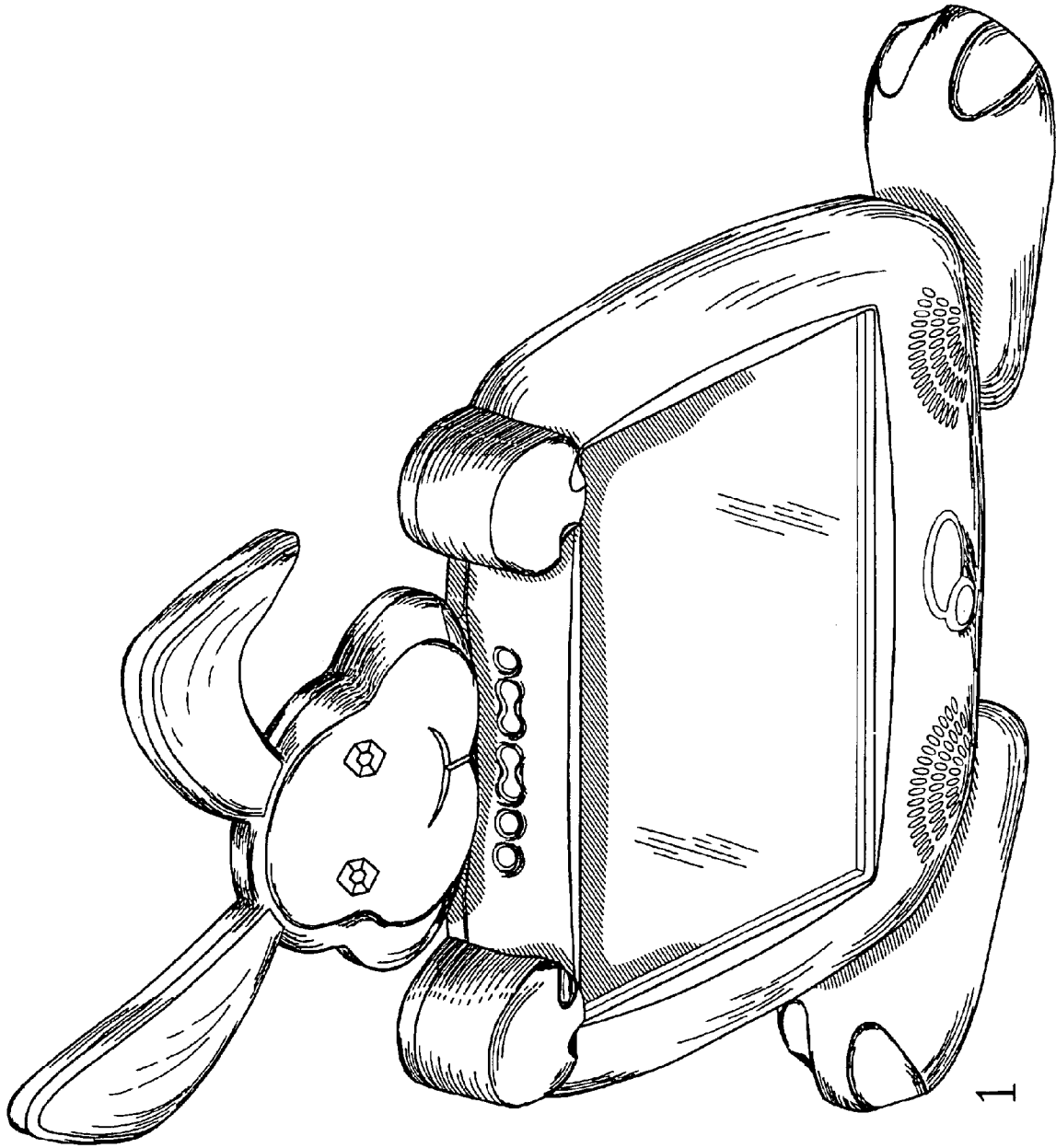


Fig. 1

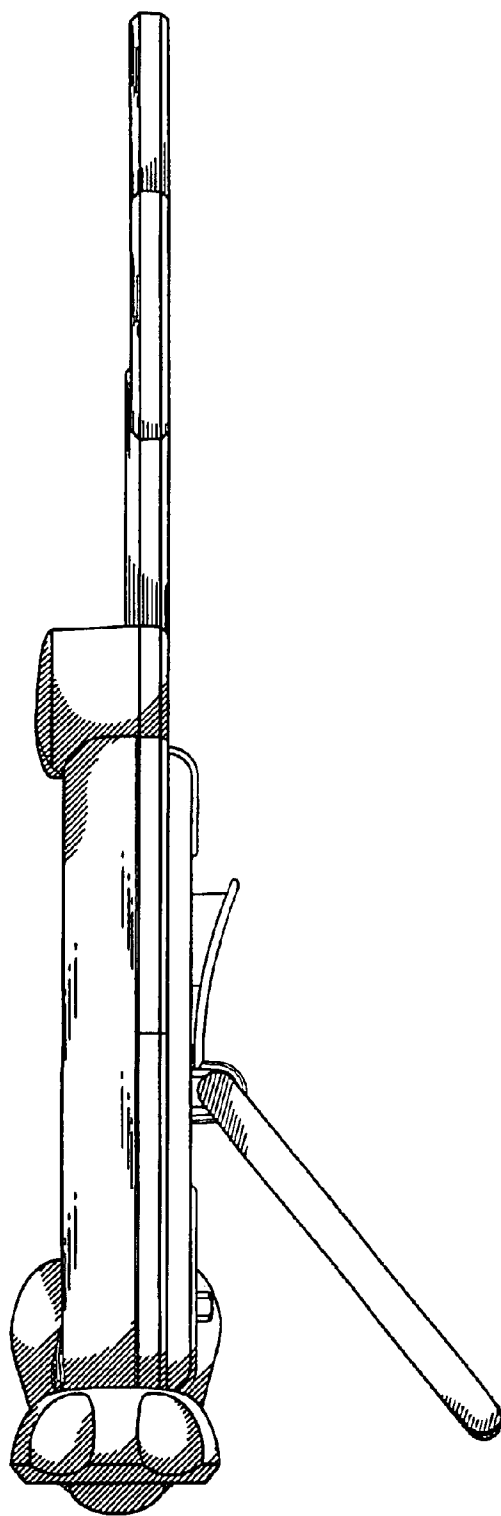


Fig. 2

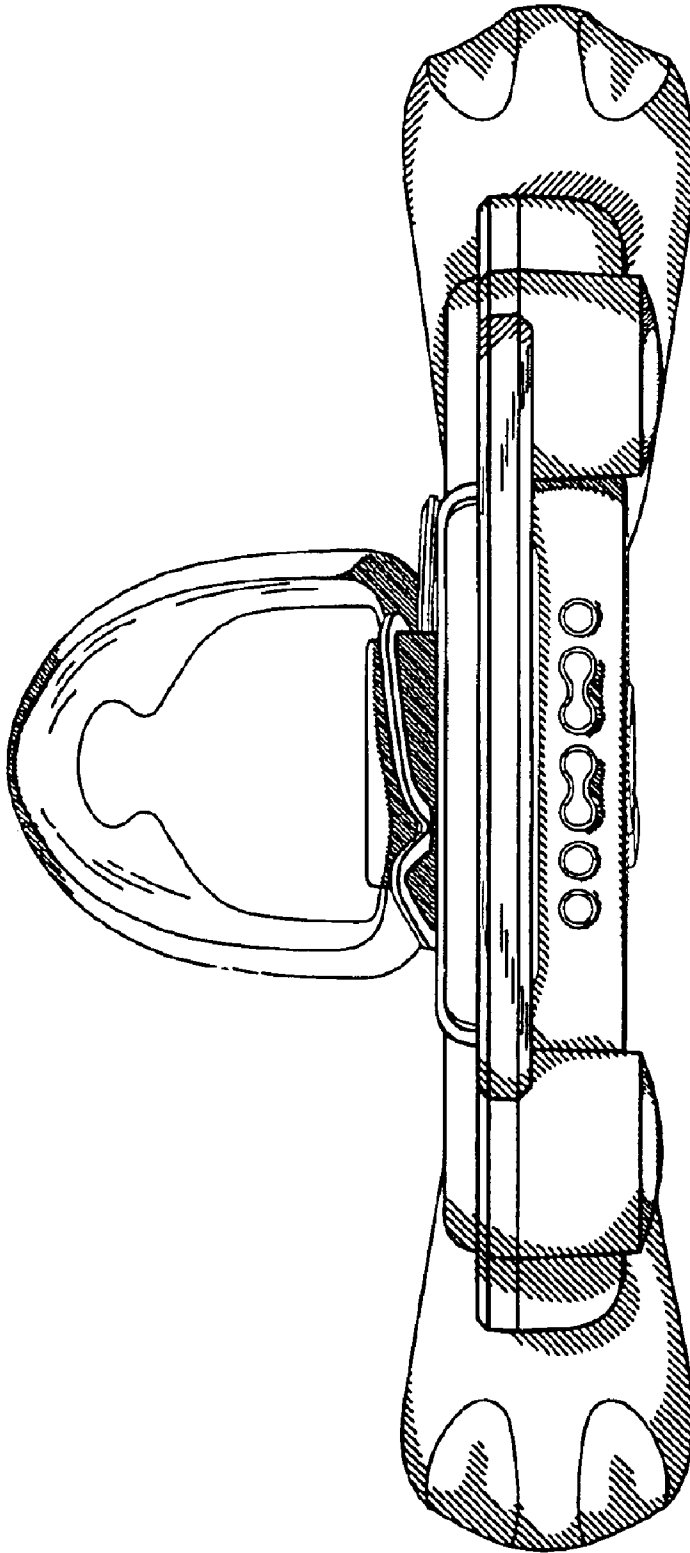


Fig. 3

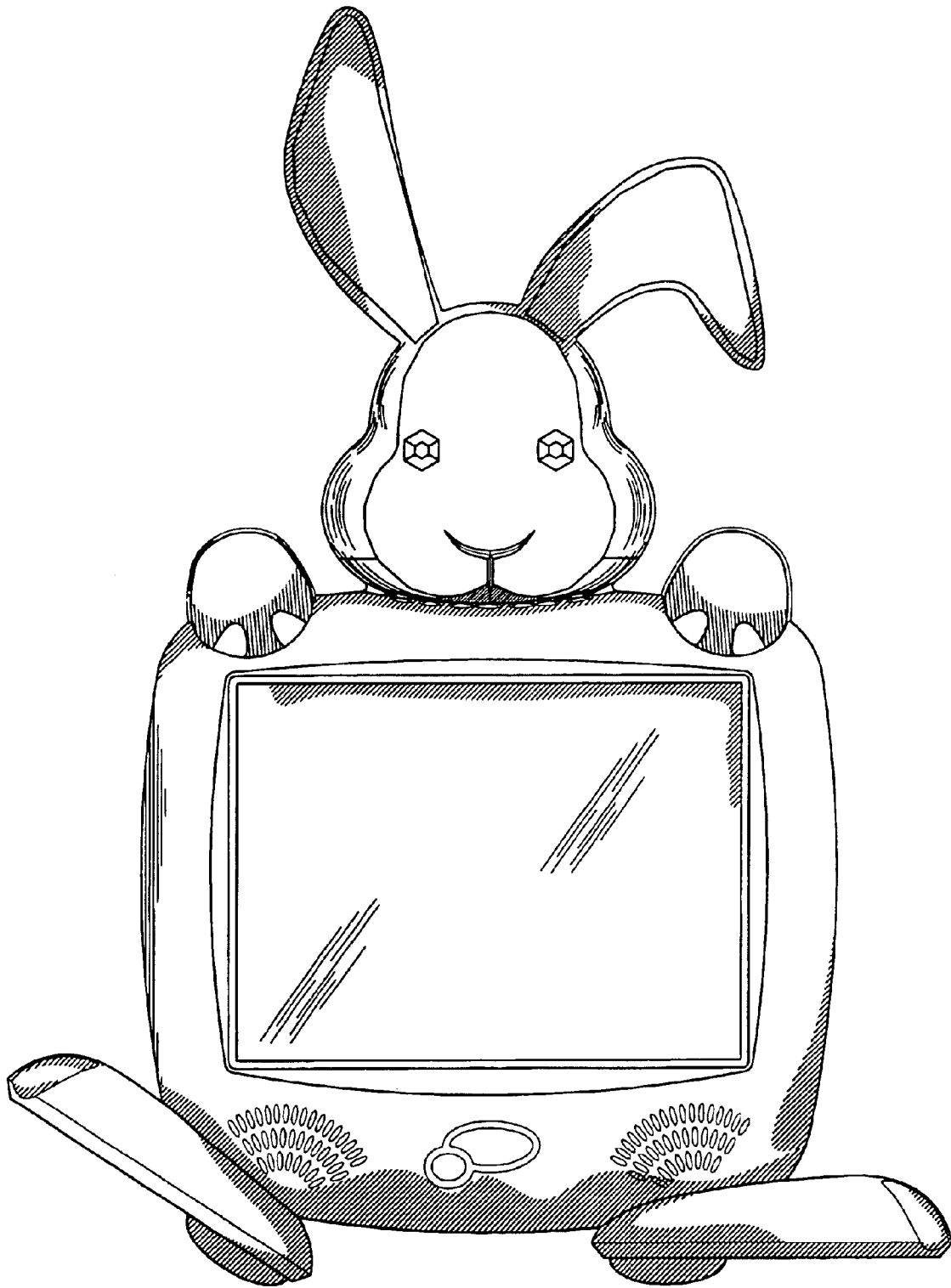


Fig. 4

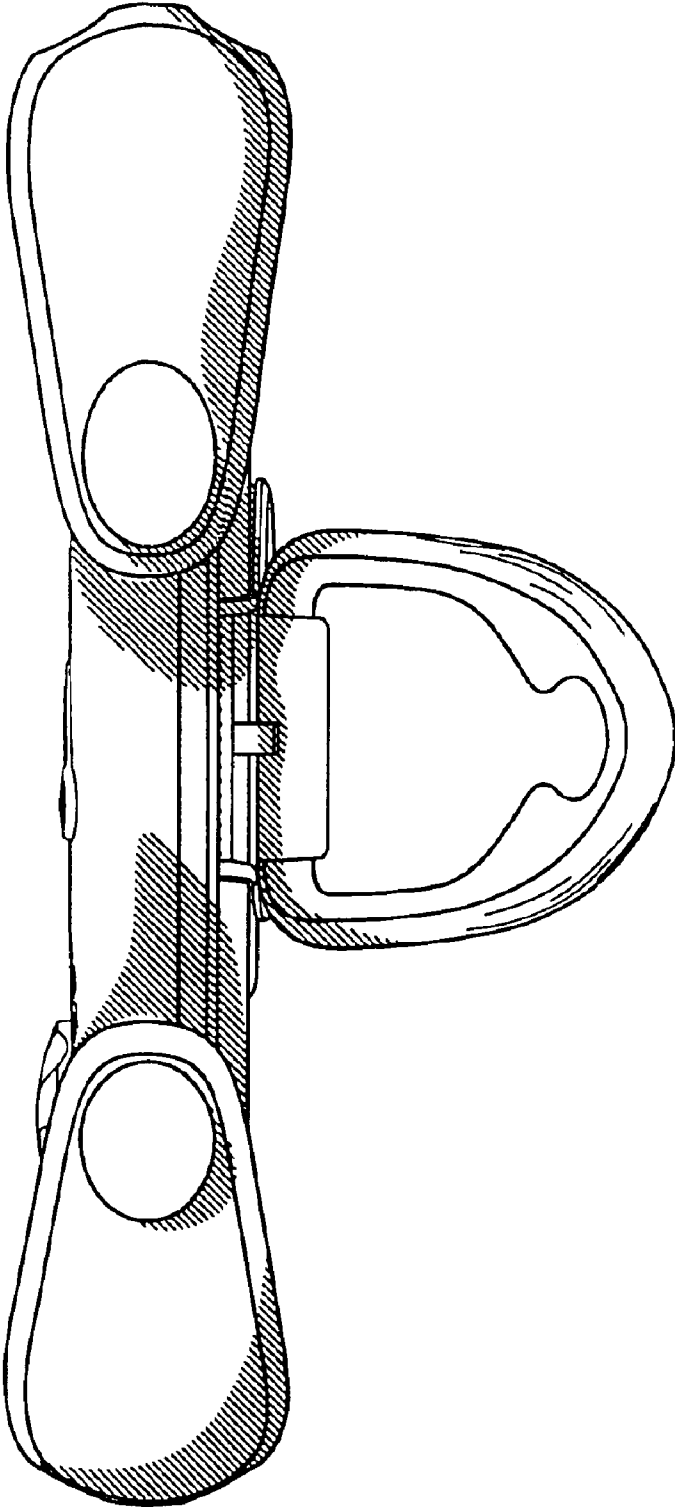


Fig. 5

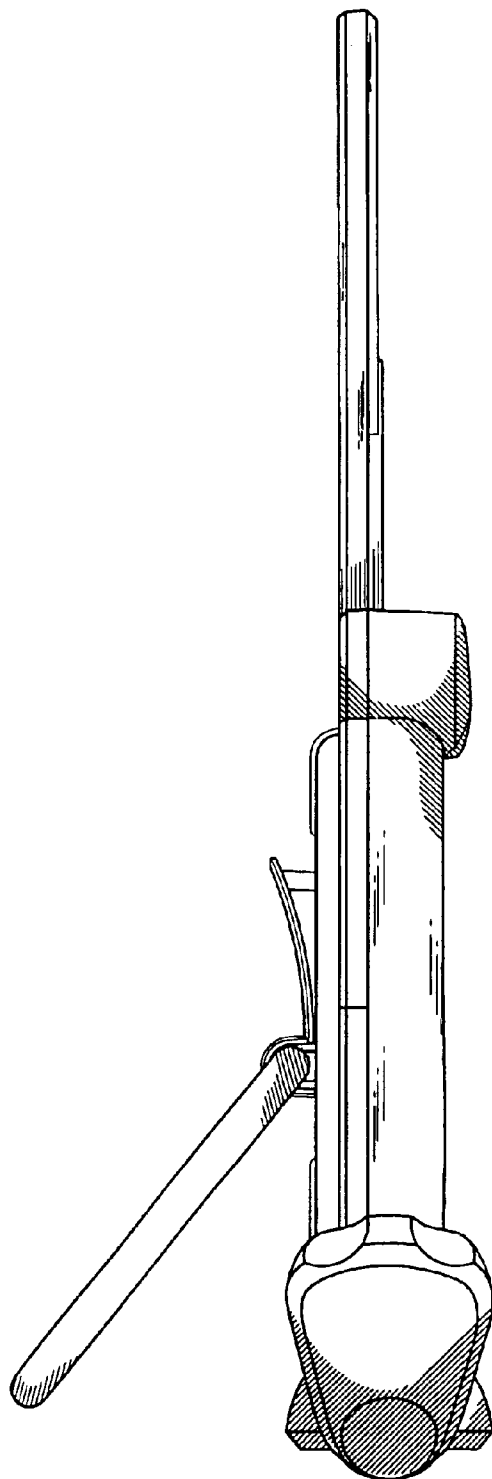


Fig. 6

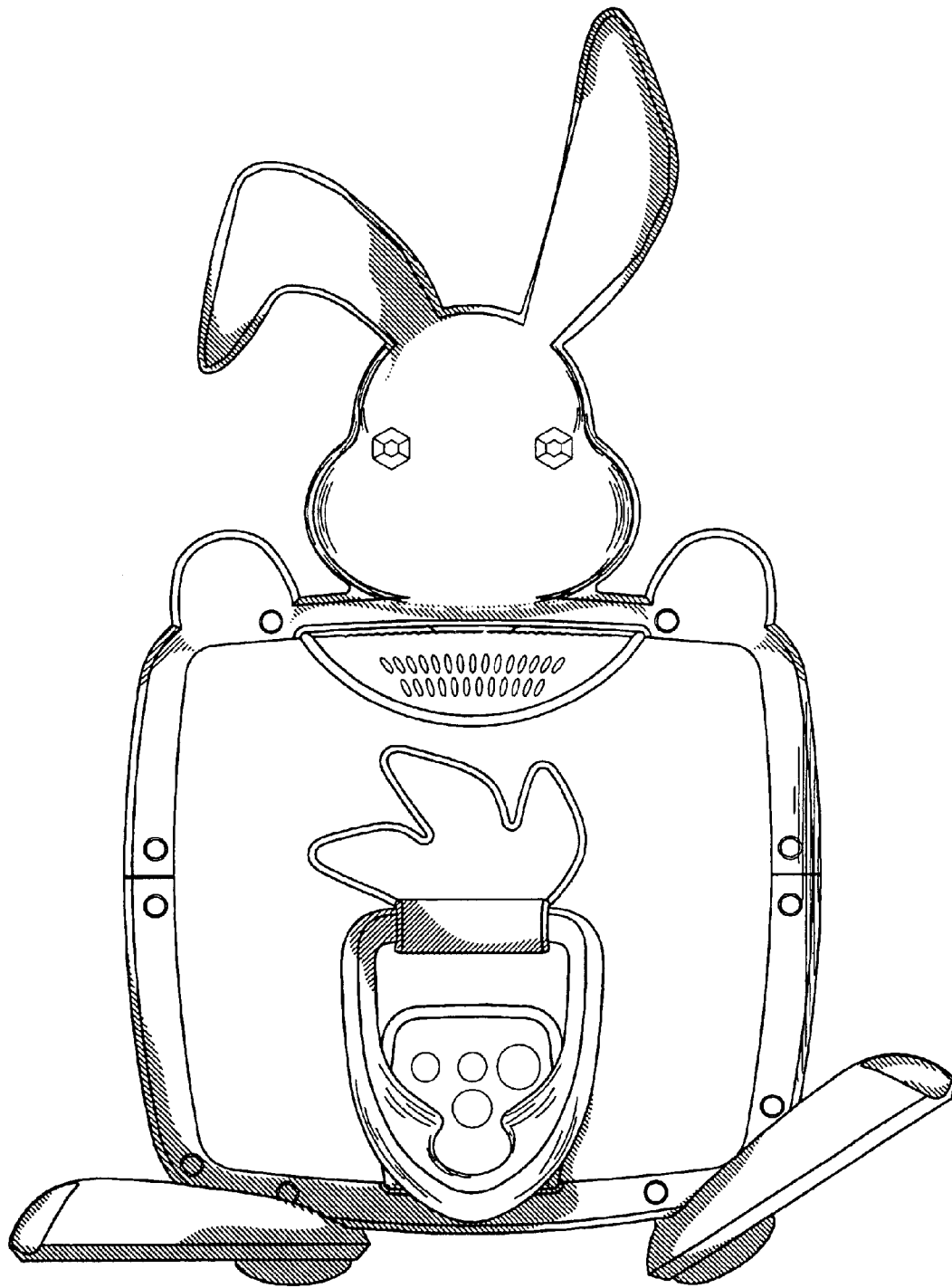


Fig. 7