



US00D989424S

(12) **United States Design Patent**
Bisson et al.

(10) **Patent No.:** **US D989,424 S**

(45) **Date of Patent:** **** Jun. 13, 2023**

- (54) **UPRIGHT FLOOR SCRUBBER**
- (71) Applicant: **Karma 360, Inc.**, Huntington Beach, CA (US)
- (72) Inventors: **Montgomery Bisson**, Huntington Beach, CA (US); **Michael Schaffer**, Huntington Beach, CA (US); **Jesus J. Peña**, Yorba Linda, CA (US)
- (73) Assignee: **KARMA 360, INC.**, Huntington Beach, CA (US)
- (**) Term: **15 Years**
- (21) Appl. No.: **29/849,158**
- (22) Filed: **Aug. 9, 2022**

D212,246 S * 9/1968 Schowalter D32/19
 D219,348 S * 12/1970 Anderson D32/15
 D317,667 S 6/1991 Bolser et al.

(Continued)

FOREIGN PATENT DOCUMENTS

EP 3597093 A1 1/2020
 JP D1739008 * 3/2023

(Continued)

OTHER PUBLICATIONS

Karma Video ProRes Final, announced in YouTube on Jun. 7, 2021 [online], [site visited Apr. 3, 2023], Available from the internet URL: <https://www.youtube.com/watch?v=xnUrOn4U3ds> (Year: 2021).*

(Continued)

Primary Examiner — Jennifer Rivard
Assistant Examiner — Jennylou M Binas
 (74) *Attorney, Agent, or Firm* — Rob D. Baker

(57) **CLAIM**

We claim the ornamental design for an upright floor scrubber, as shown and described.

DESCRIPTION

FIG. 1 is a front perspective view of the upright floor scrubber showing our ornamental design;
 FIG. 2 is a front view thereof;
 FIG. 3 is a right side view thereof;
 FIG. 4 is a rear view thereof;
 FIG. 5 is left side view thereof;
 FIG. 6 is a top view thereof; and,
 FIG. 7 is a bottom view thereof.
 The dashed broken lines show portions of the upright floor scrubber that form no part of the claimed design. The dot-dash broken lines in FIG. 7, show boundaries of the upright floor scrubber that form no part of the claimed design.

1 Claim, 6 Drawing Sheets

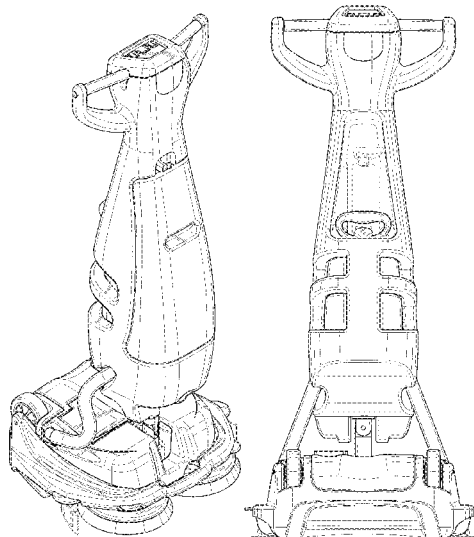
Related U.S. Application Data

- (63) Continuation-in-part of application No. 29/731,163, filed on Apr. 13, 2020, now abandoned.
- (51) **LOC (14) Cl.** **15-05**
- (52) **U.S. Cl.**
USPC **D32/15; D32/16; D32/19**
- (58) **Field of Classification Search**
USPC D32/1, 15–16, 19–20, 25, 31–34, 38, 45, D32/49–52; D21/526; D4/102, 137; D8/62, 67; D15/199
CPC A47L 7/0014; A47L 9/2857; A47L 9/04; A47L 11/26; A47L 11/28; A47L 11/282; A47L 11/305; A47L 11/4005; A47L 11/4008; A47L 13/146
See application file for complete search history.

References Cited

U.S. PATENT DOCUMENTS

D133,224 S * 7/1942 Vavrik et al. D32/19
 D158,912 S * 6/1950 Swann D32/20
 D166,572 S * 4/1952 Pond D32/19



(56)

References Cited

U.S. PATENT DOCUMENTS

D325,658 S * 4/1992 Brewin D32/22
 D388,671 S 1/1998 Suganami
 D405,567 S * 2/1999 Kent D32/22
 D439,380 S * 3/2001 Medema D32/22
 D446,894 S 8/2001 Paterson et al.
 D449,906 S 10/2001 Paterson et al.
 D449,908 S 10/2001 Paterson et al.
 D450,411 S 11/2001 Paterson et al.
 D452,984 S 1/2002 Paterson et al.
 D456,964 S 5/2002 Alford et al.
 D469,590 S 1/2003 Alford et al.
 D473,357 S 4/2003 Stephens
 D510,647 S 10/2005 Alford et al.
 D514,759 S 2/2006 Archer
 D530,471 S 10/2006 Scheifele et al.
 D544,661 S 6/2007 Santiago
 D548,910 S 8/2007 Murray
 D551,404 S 9/2007 Scheifele et al.
 D558,943 S 1/2008 Labarbera
 D583,118 S 12/2008 Snyder
 D598,169 S 8/2009 Benacquisto et al.
 D598,615 S 8/2009 Benacquisto et al.
 D598,617 S 8/2009 Santiago
 D598,620 S 8/2009 Benacquisto et al.
 D651,777 S 1/2012 Dammkoehler
 D660,533 S 5/2012 Hill et al.
 D661,036 S 5/2012 Raven
 D667,183 S 9/2012 Benacquisto
 D671,283 S 11/2012 Paterson
 D673,748 S 1/2013 Snyder et al.
 D693,976 S 11/2013 Wu et al.
 D694,480 S * 11/2013 Thomas D32/15
 D700,757 S 3/2014 Hill et al.
 D740,503 S 10/2015 Tyler

D750,856 S 3/2016 De Smedt
 D761,505 S 7/2016 Tyler et al.
 D764,128 S 8/2016 Kindler
 D764,129 S 8/2016 Kindler
 D765,331 S 8/2016 Chei et al.
 D765,332 S 8/2016 Niedzwecki et al.
 D766,527 S 9/2016 Niedzwecki et al.
 D774,260 S 12/2016 Manning
 D785,265 S 4/2017 Palladino et al.
 D789,004 S 6/2017 Boehler et al.
 D818,233 S 5/2018 Palladino et al.
 D825,120 S 8/2018 Daniels et al.
 D831,908 S 10/2018 Tyler et al.
 D855,907 S * 8/2019 van de Ven D32/15
 D856,614 S 8/2019 Daniels et al.
 D869,793 S 12/2019 Casini
 D876,036 S 2/2020 Irfan
 D876,037 S 2/2020 McRorie et al.
 D877,430 S 3/2020 Hooley et al.
 D882,893 S 4/2020 Hooley et al.
 D895,387 S 9/2020 Wyser
 D962,574 S * 8/2022 Khubani D32/50
 2019/0343357 A1 11/2019 Franke

FOREIGN PATENT DOCUMENTS

WO 2019219580 A1 11/2019
 WO 2019219582 A1 11/2019

OTHER PUBLICATIONS

The i-Mop XL Scrubber dryer, announced in YouTube on Jan. 8, 2019 [online], [site visited Apr. 3, 2023], Available from the internet URL: <https://www.youtube.com/watch?v=Pi2YdvFlx84> (Year: 2019).*

* cited by examiner

FIG. 1

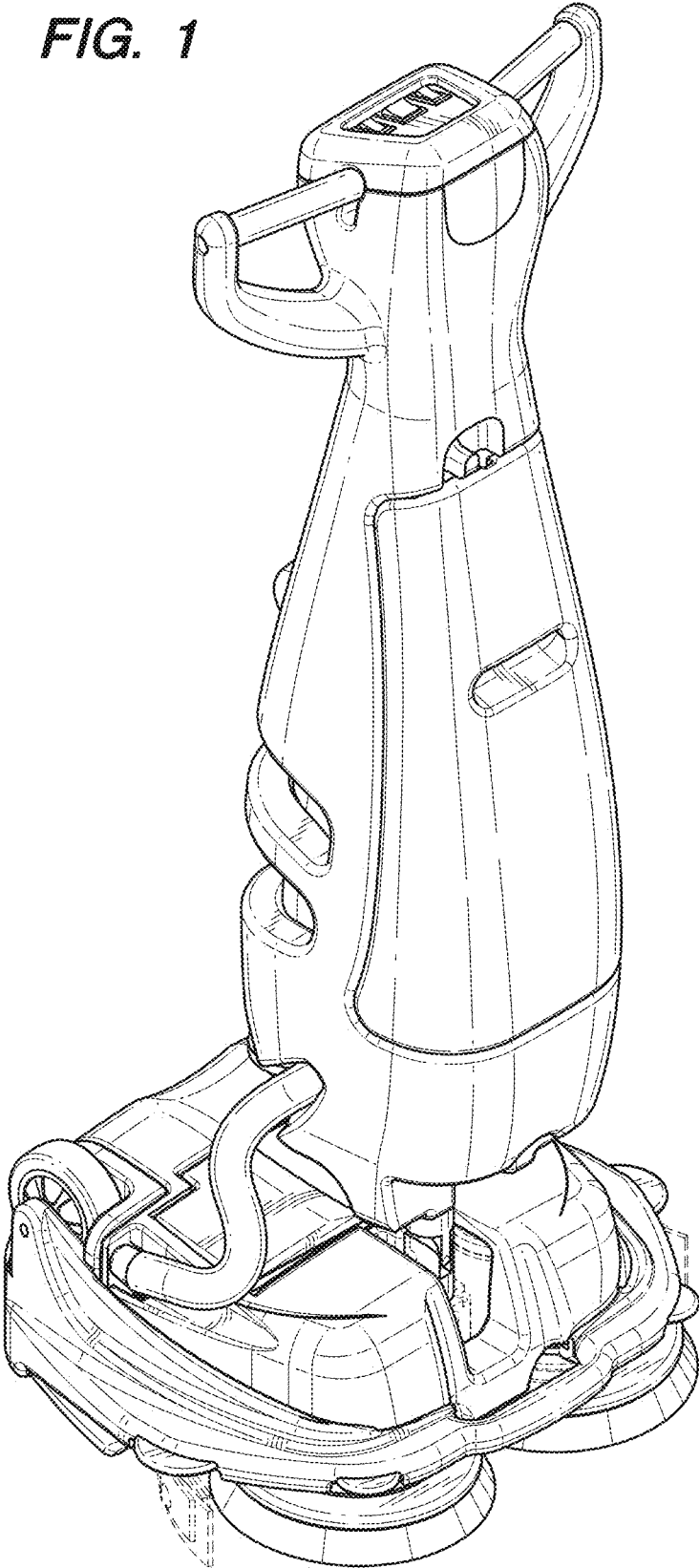


FIG. 2

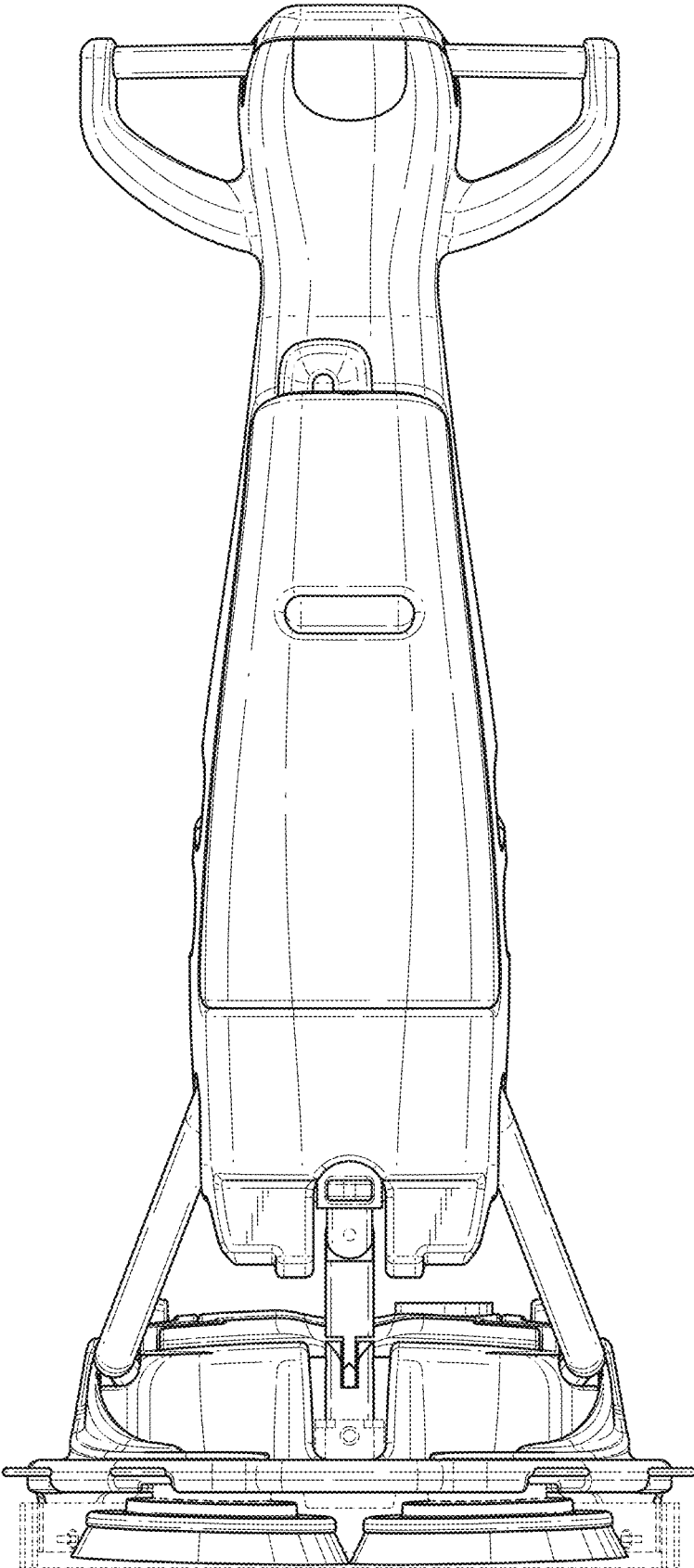


FIG. 3

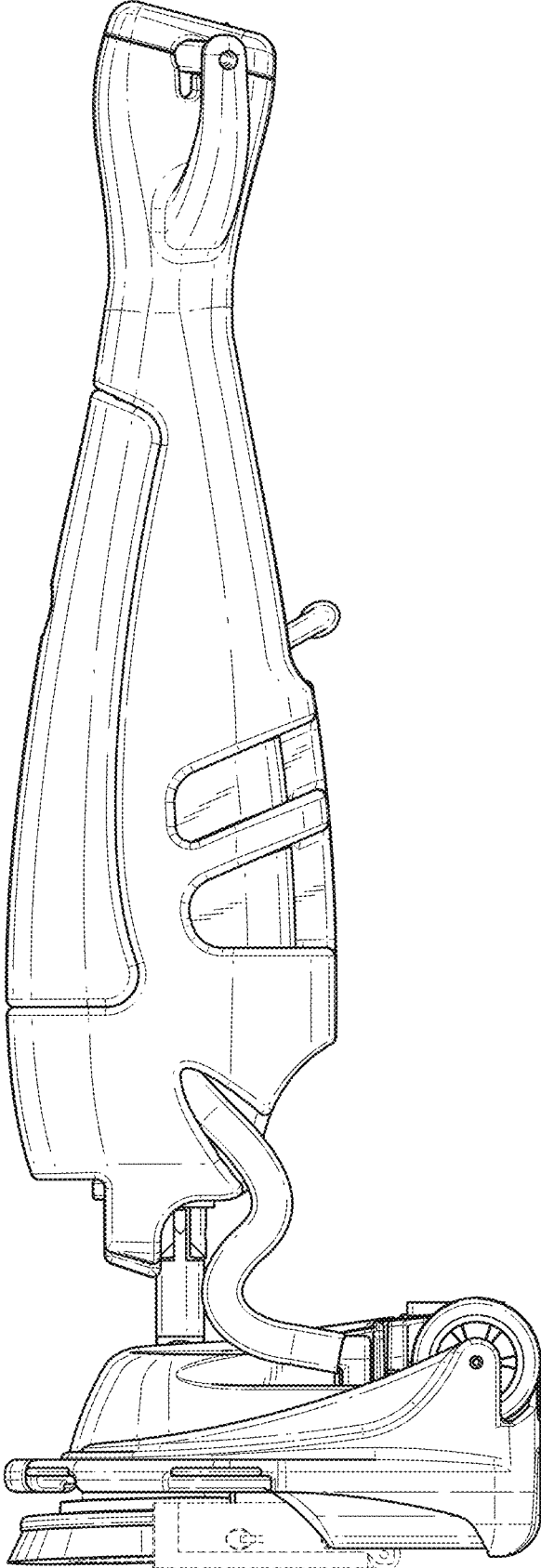


FIG. 4

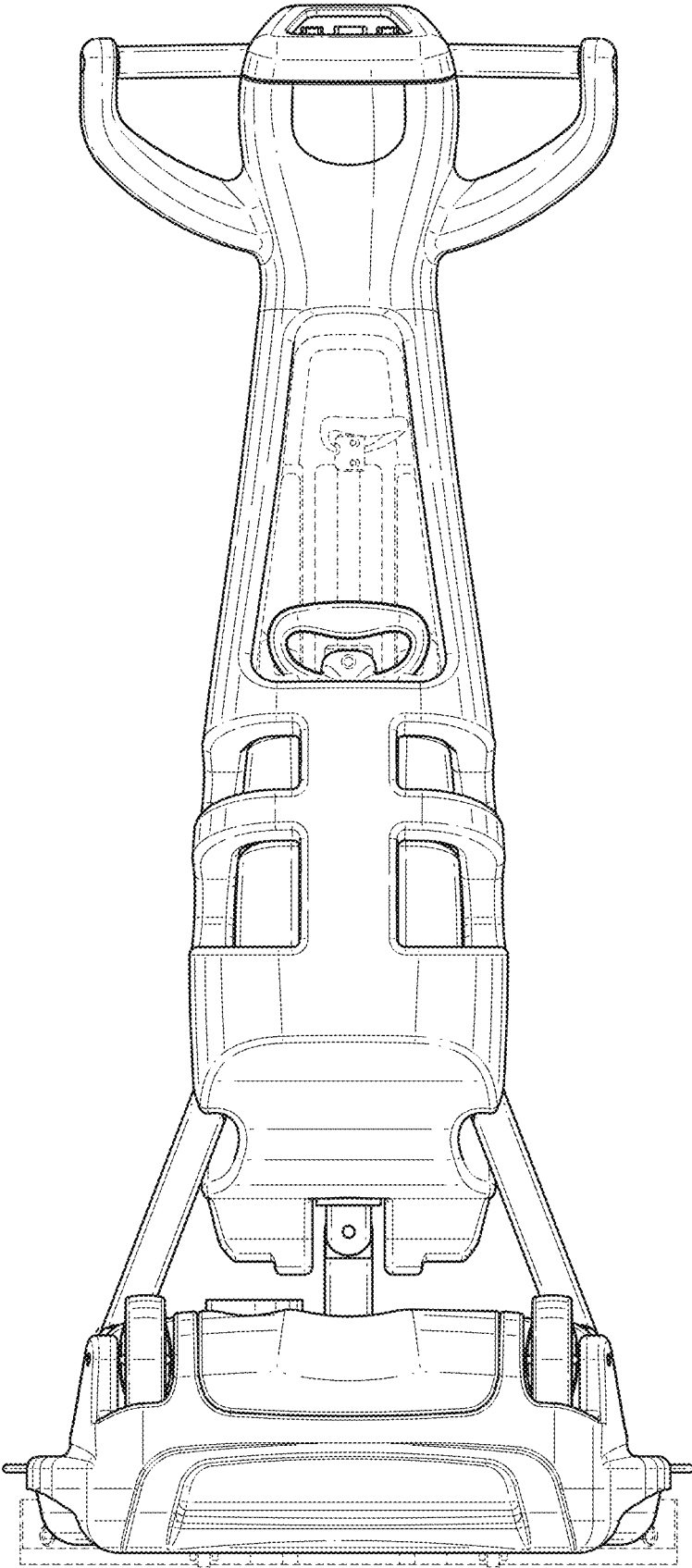


FIG. 5

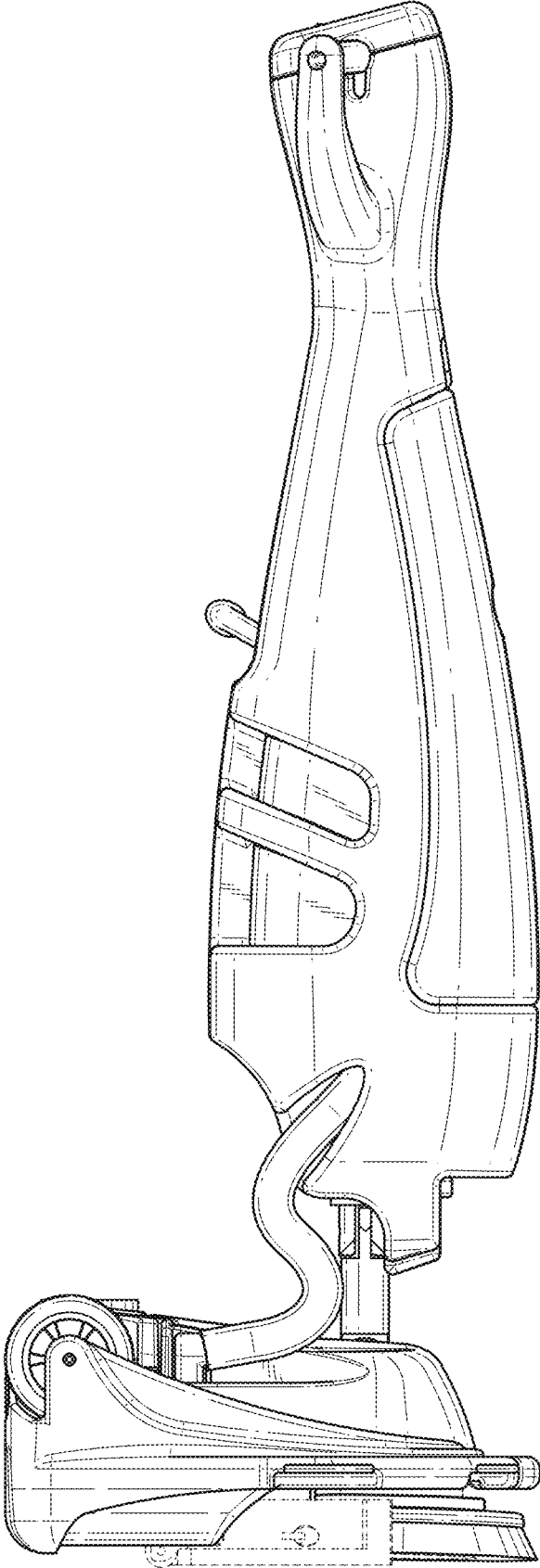


FIG. 6

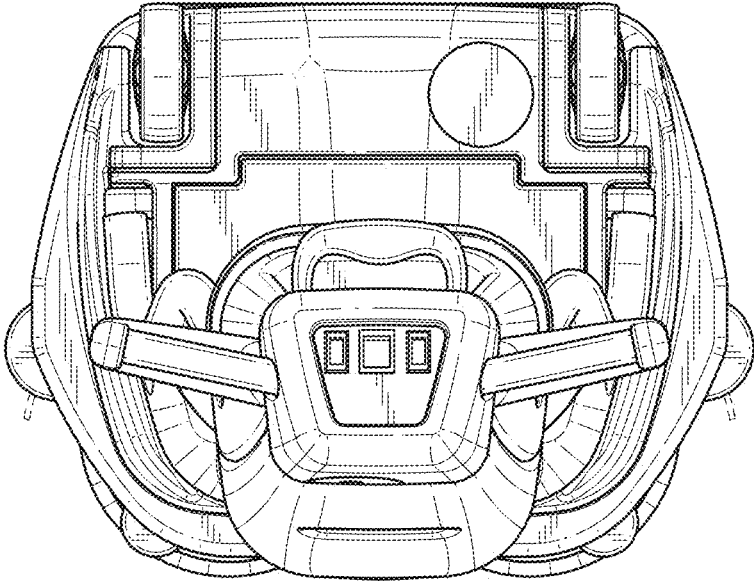


FIG. 7

