



US00D574655S

(12) **United States Design Patent**
Perella et al.

(10) **Patent No.:** **US D574,655 S**

(45) **Date of Patent:** **** Aug. 12, 2008**

(54) **CASE FOR STORING RECORDING MEDIA,
SUCH AS CDS OR DVDS**

(75) Inventors: **Daniel V. Perella**, Hudson, OH (US);
Anthony J. Decarlo, Bay Village, OH
(US); **Vincent J. Thomson**, Avon Lake,
OH (US)

(73) Assignee: **Ideastream Consumer Products LLC**,
Parma, OH (US)

(**) Term: **14 Years**

(21) Appl. No.: **29/249,076**

(22) Filed: **Sep. 19, 2006**

Related U.S. Application Data

(62) Division of application No. 29/187,785, filed on Aug.
8, 2003, now Pat. No. Des. 562,048.

(51) **LOC (8) Cl.** **06-02**

(52) **U.S. Cl.** **D6/634; D3/294**

(58) **Field of Classification Search** D6/407,
D6/450, 626-635; D9/433, 422, 418, 428,
D9/522, 523, 544, 663; D3/303, 294, 218;
D14/137, 479, 478, 474; 206/751, 755, 457,
206/312, 311, 310, 309, 309.2, 308.1, 307,
206/303, 232, 579, 493, 472; 720/719, 655,
720/728, 734; 211/40; 53/445, 462

See application file for complete search history.

(56) **References Cited**

U.S. PATENT DOCUMENTS

903,668	A *	11/1908	Carl	217/59
903,688	A	11/1908	Dreyer	
941,969	A *	11/1909	Williams	190/26
D67,730	S *	6/1925	Wheary	D3/272
D71,465	S *	11/1926	Langmuir	D3/272
1,767,143	A *	6/1930	La Duke	190/28
D129,108	S *	8/1941	Sprague	D3/268
D152,482	S *	1/1949	Kendal et al.	D16/231
D160,949	S *	11/1950	Knell	D3/275
2,558,839	A *	7/1951	Goldberg	206/403

2,626,025	A *	1/1953	Sherman	190/37
D247,993	S	5/1978	Calzone, III	
D256,737	S *	9/1980	Woodhall	D6/631
D268,380	S *	3/1983	Thiele	D6/633
4,509,622	A *	4/1985	Morszeck	190/119
D285,626	S *	9/1986	Yen	D3/292
D287,429	S *	12/1986	Esslinger	D3/292
D288,751	S *	3/1987	Fuss et al.	D6/446
D288,863	S *	3/1987	Vuitton	D3/289
4,669,587	A *	6/1987	Zitt	190/109
D296,153	S *	6/1988	Reichow	D6/631
D297,385	S *	8/1988	Bennett	D6/631
D308,137	S *	5/1990	Grecchi	D3/292
5,000,301	A *	3/1991	Grenier	190/127
D329,134	S *	9/1992	Tokuda et al.	D3/292

(Continued)

Primary Examiner—Charles A. Rademaker

Assistant Examiner—Charles D Hanson

(74) *Attorney, Agent, or Firm*—Pillsbury Winthrop Shaw
Pittman LLP

(57) **CLAIM**

The ornamental design for a case for storing recording media,
such as CDs and DVDs, as shown and described.

DESCRIPTION

A portion of the disclosure of this patent document contains
material to which a claim for copyright is made. The copy-
right owner has no objection to the facsimile reproduction of
the patent document or the patent disclosure, as it appears in
the Patent and Trademark Office patent file or records, but
reserves all other copyrights whatsoever.

FIG. 1 is a perspective view of a case for storing media such
as CDs or DVDs, showing our new design;

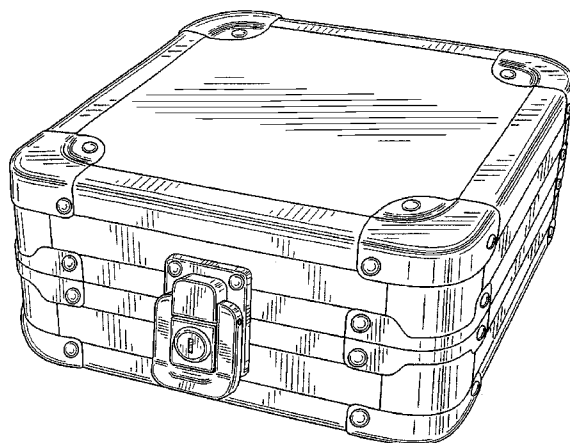
FIG. 2 is a front elevation thereof;

FIG. 3 is a rear elevation thereof;

FIG. 4 is a left side view thereof, the right side being a mirror
image; and,

FIG. 5 is a top plan view thereof.

1 Claim, 4 Drawing Sheets



US D574,655 S

Page 2

U.S. PATENT DOCUMENTS

D331,663 S *	12/1992	Roncato	D3/292	D439,044 S *	3/2001	Cheng	D3/276
D336,983 S *	7/1993	Roberts et al.	D6/633	D461,339 S *	8/2002	Keller	D6/480
D351,502 S	10/1994	Weir et al.		D467,428 S *	12/2002	Wolf	D3/291
D358,055 S *	5/1995	Long et al.	D6/632	D488,321 S	4/2004	Perella et al.	
D364,053 S *	11/1995	Hayashi et al.	D6/470	D490,206 S	5/2004	Perella et al.	
D365,224 S *	12/1995	Pohlman	D6/445	D493,303 S	7/2004	Perella et al.	
D365,225 S *	12/1995	Poortvliet et al.	D6/446	D493,936 S	8/2004	Perella et al.	
5,513,066 A *	4/1996	Berman	361/625	D496,791 S	10/2004	Perella et al.	
5,528,453 A *	6/1996	Berman et al.	361/625	D497,252 S	10/2004	Perella et al.	
D378,164 S *	2/1997	Lee	D3/276	D498,049 S	11/2004	Perella et al.	
D386,614 S *	11/1997	Smith	D3/291	D499,883 S	12/2004	Perella et al.	
D388,251 S *	12/1997	Smith	D3/291	D500,922 S	1/2005	Perella et al.	
D401,408 S *	11/1998	Sun et al.	D3/276	D501,083 S	1/2005	Perella et al.	
D414,037 S *	9/1999	Akaike et al.	D3/276	D501,995 S	2/2005	Perella et al.	
D415,614 S *	10/1999	Akaike et al.	D3/276	D503,024 S	3/2005	Perella et al.	
D419,766 S *	2/2000	Rekuc	D3/272	D503,503 S	3/2005	Perella et al.	
D431,392 S *	10/2000	Felsenthal	D6/445	D504,038 S	4/2005	Perella et al.	
6,193,340 B1 *	2/2001	Schenker et al.	312/265.5	D504,039 S	4/2005	Perella et al.	
				D562,048 S *	2/2008	Perella et al.	D6/632

* cited by examiner

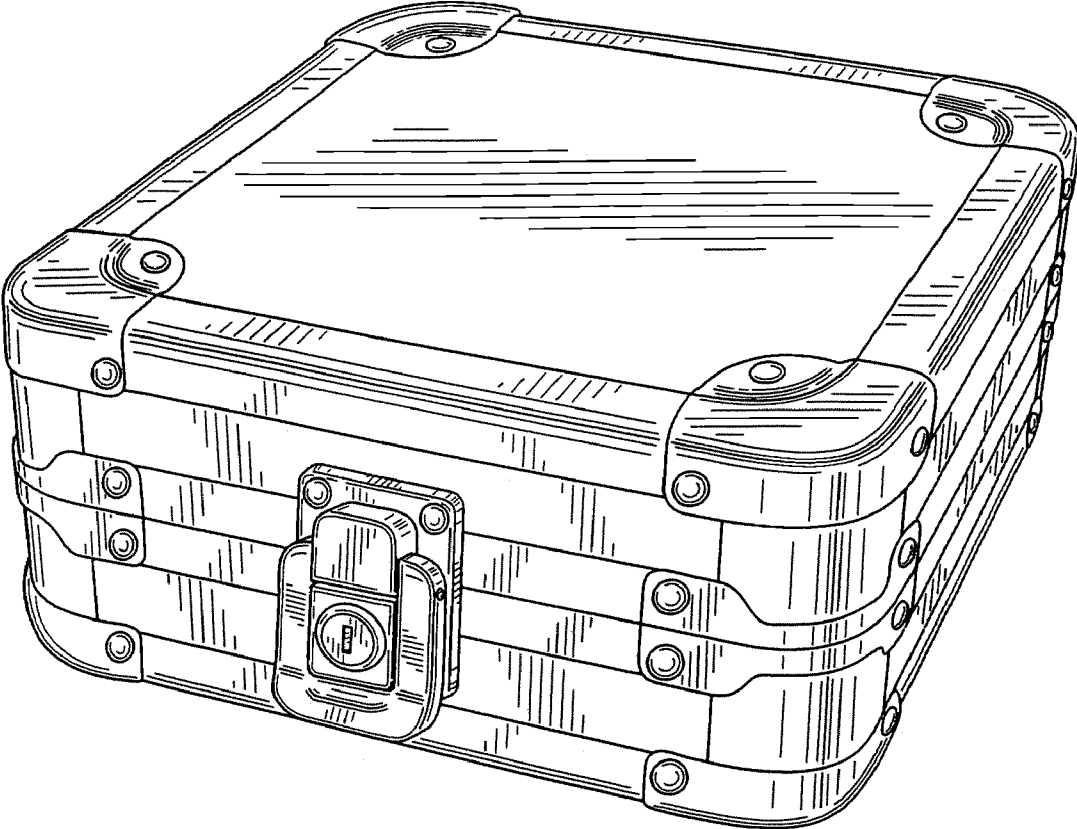


FIG. 1

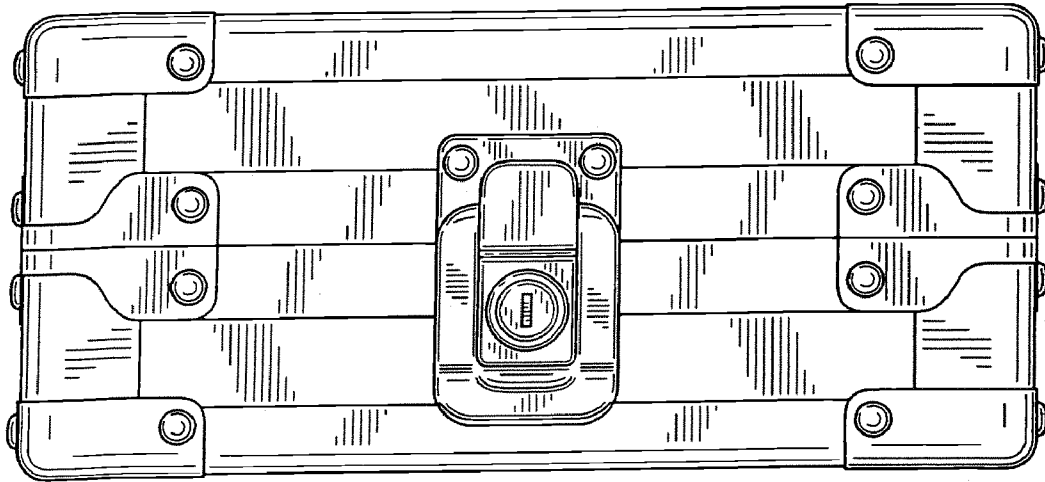


FIG. 2

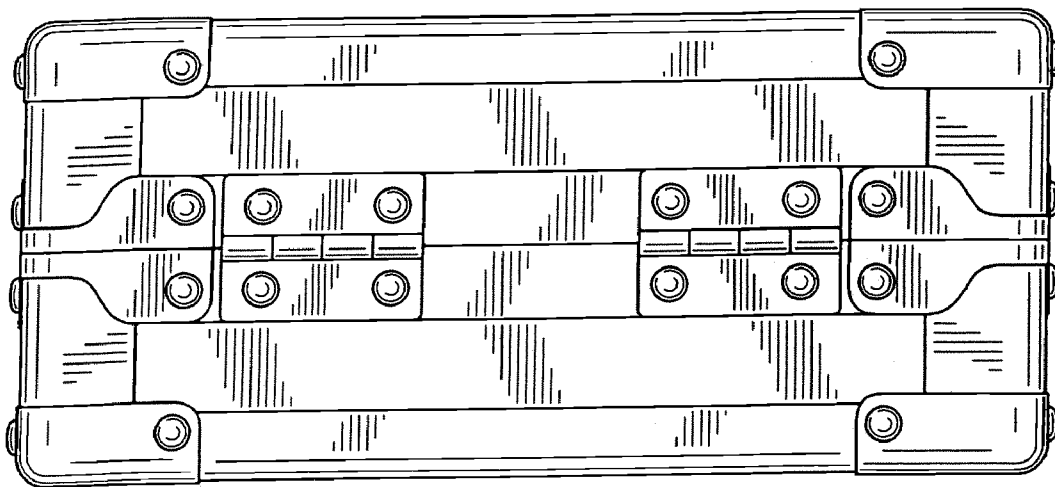


FIG. 3

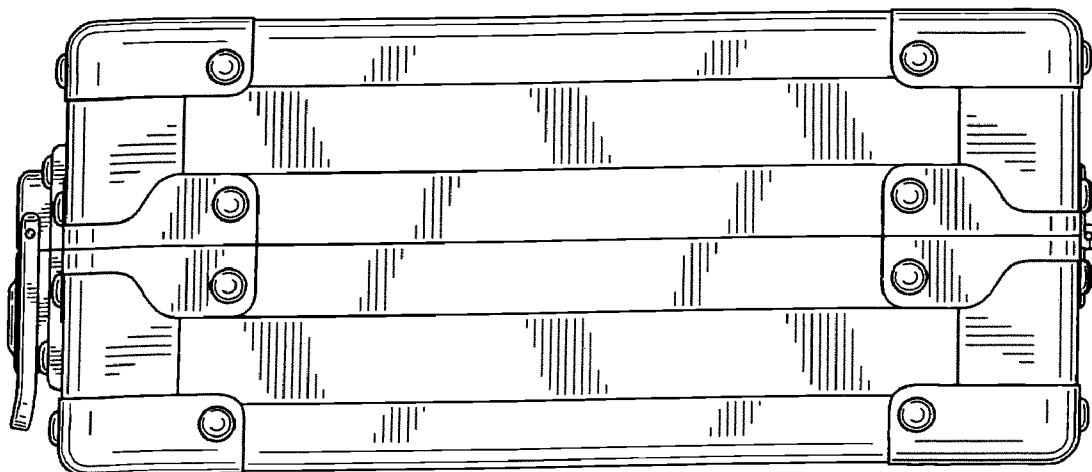


FIG. 4

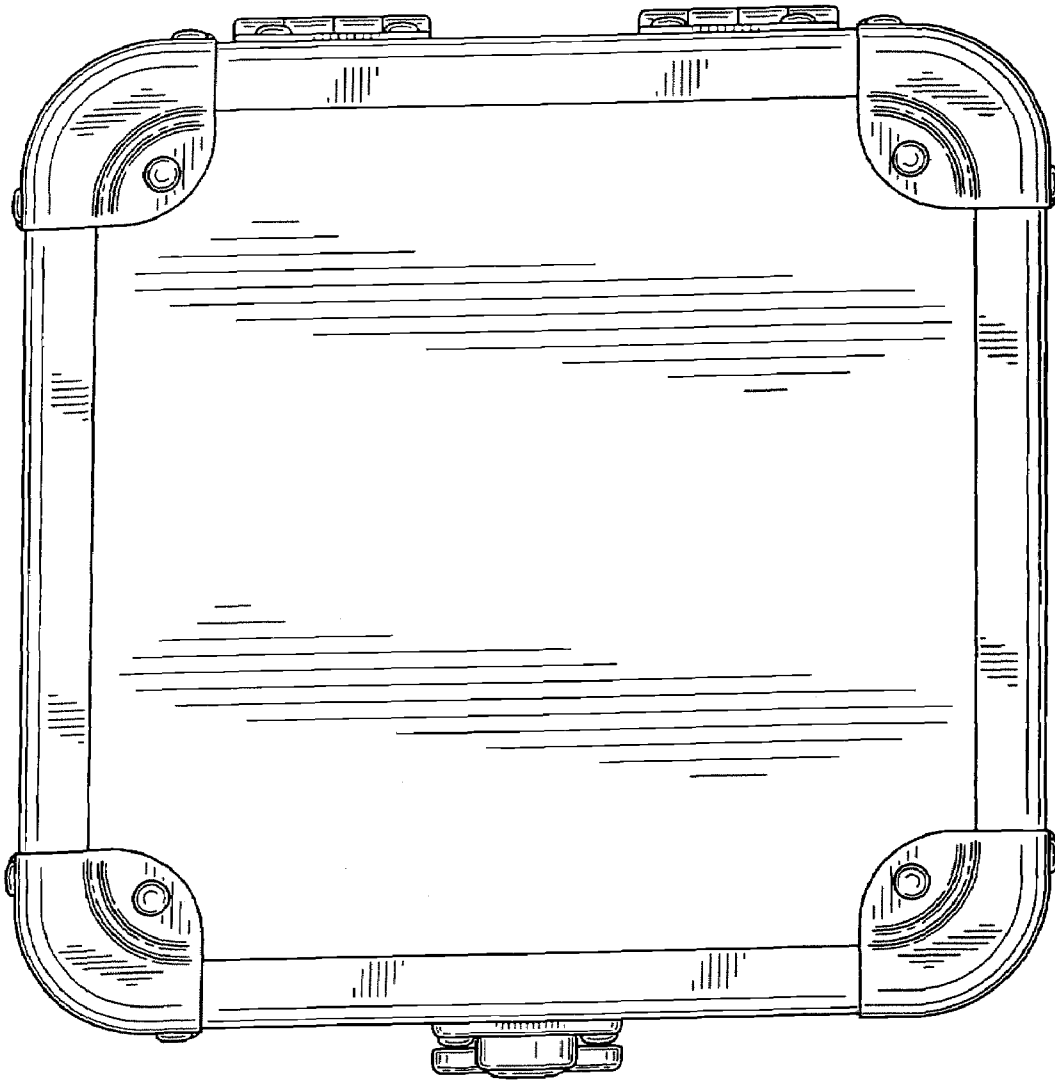


FIG. 5