



US00D688507S

(12) **United States Design Patent Hill**

(10) **Patent No.:** **US D688,507 S**

(45) **Date of Patent:** **\*\* Aug. 27, 2013**

(54) **COOKER**

(75) Inventor: **Gavin Hill**, Epping (AU)

(73) Assignee: **Garth Australia Pty Ltd**, Melbourne (AU)

(\*\*) Term: **14 Years**

(21) Appl. No.: **29/414,816**

(22) Filed: **Mar. 5, 2012**

(30) **Foreign Application Priority Data**

Dec. 19, 2011 (AU) ..... 15862/2011

(51) **LOC (9) Cl.** ..... **07-02**

(52) **U.S. Cl.**  
USPC ..... **D7/323; D7/348**

(58) **Field of Classification Search**

USPC ..... D7/323, 332, 333, 334-337, 339-349, D7/402, 403, 404, 408, 409; D23/332, 335, D23/342, 343, 346; 126/1 R, 25 A, 25 R, 126/58, 59, 59.5, 79, 307 R, 275 R; 99/324, 99/331, 339, 340-344, 352, 357, 419, 421 H, 99/467, 481, 482, 473, 484, 396; 219/391-399, 219/385, 386, 200; 426/233, 235; 432/200, 432/201; 312/312

See application file for complete search history.

(56) **References Cited**

**U.S. PATENT DOCUMENTS**

132,143 A \* 10/1872 Deardorff ..... 126/59.5  
652,531 A \* 6/1900 Carlson ..... 99/482

D64,340 S *	4/1924	Booch	.....	D23/346
1,492,892 A *	5/1924	Muse	.....	432/201
2,004,024 A *	6/1935	Van Voorst, Jr.	.....	126/41 D
D119,847 S *	4/1940	Lewis	.....	D7/348
2,789,877 A *	4/1957	Pfundt	.....	312/312
3,019,720 A *	2/1962	Topper	.....	99/339
3,644,124 A *	2/1972	Bedsole	.....	426/233
3,699,876 A *	10/1972	Ellis	.....	99/396
D267,769 S *	2/1983	Pope	.....	D7/332
D280,967 S *	10/1985	Wrighton	.....	D7/348
D286,812 S *	11/1986	Rennels	.....	D23/346
D307,314 S *	4/1990	Berlaimont	.....	D23/346
D308,246 S *	5/1990	Syme et al.	.....	D23/346
5,713,267 A *	2/1998	Wilson	.....	99/482
D547,111 S *	7/2007	Loyd	.....	D7/348

\* cited by examiner

*Primary Examiner* — Caron D Veynar

*Assistant Examiner* — Martie K Holtje

(74) *Attorney, Agent, or Firm* — Richard M. Goldberg

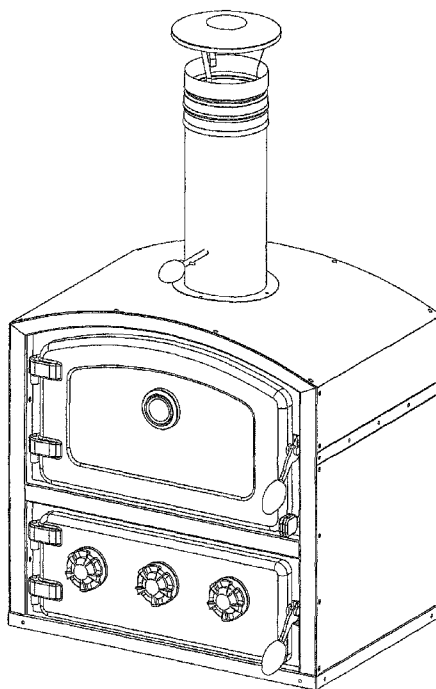
(57) **CLAIM**

The ornamental design for a cooker, as shown and described.

**DESCRIPTION**

FIG. 1 is a top, right front perspective view of a cooker showing my new design;  
FIG. 2 is a front elevational view thereof;  
FIG. 3 is a rear elevational view thereof;  
FIG. 4 is a left side elevational view thereof;  
FIG. 5 is a right side elevational view thereof; and,  
FIG. 6 is a top plan view thereof.

**1 Claim, 6 Drawing Sheets**



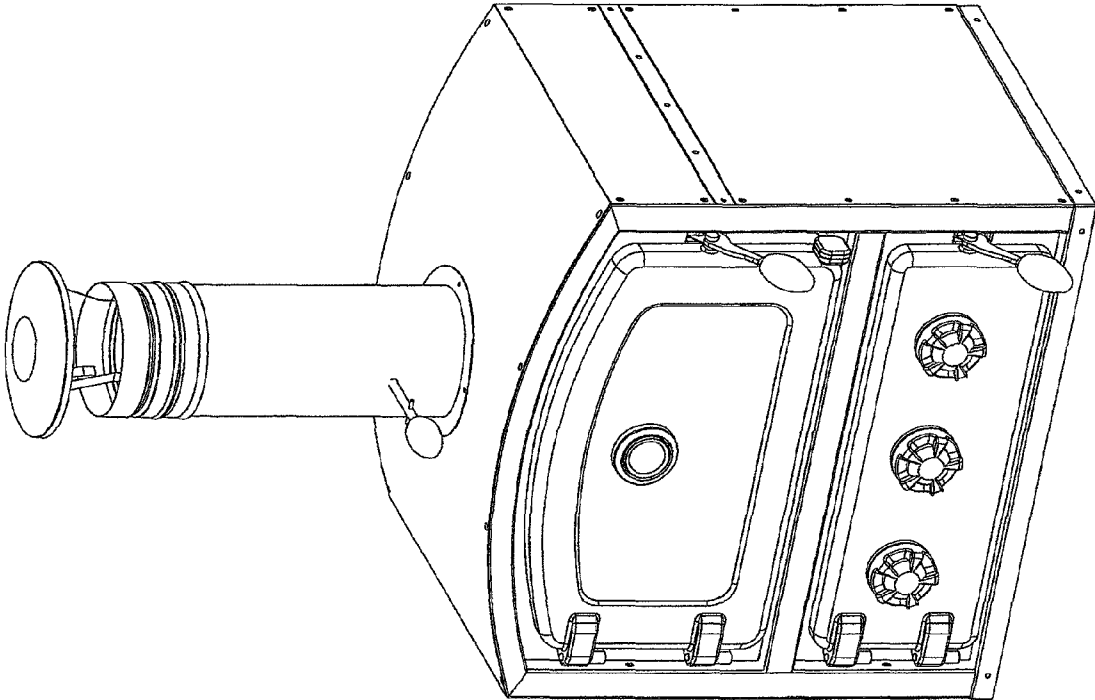


FIG. 1

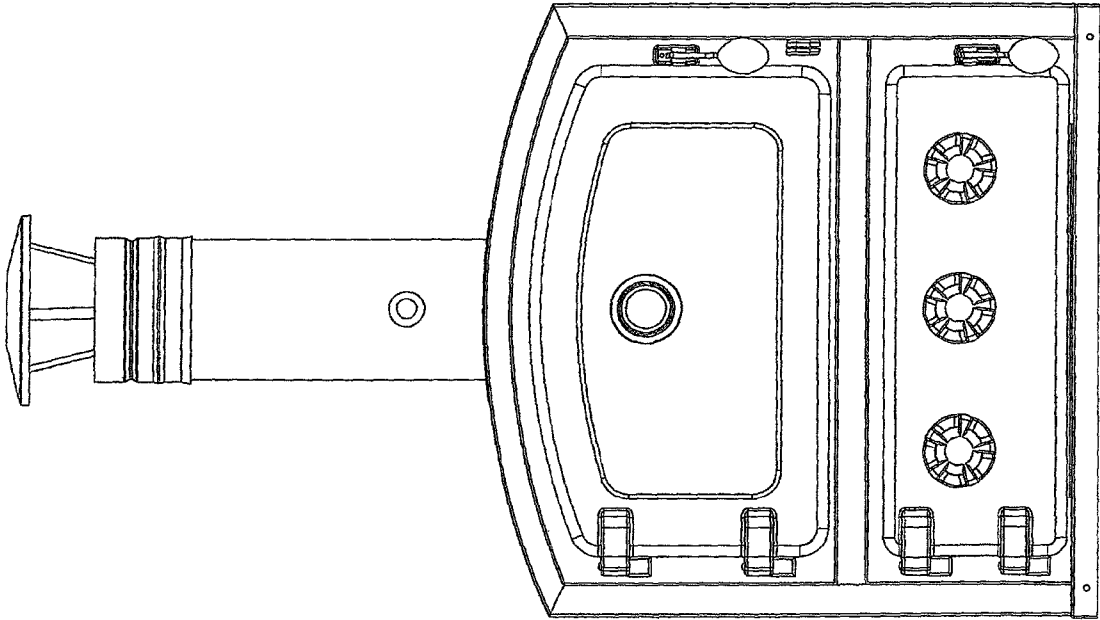


FIG. 2

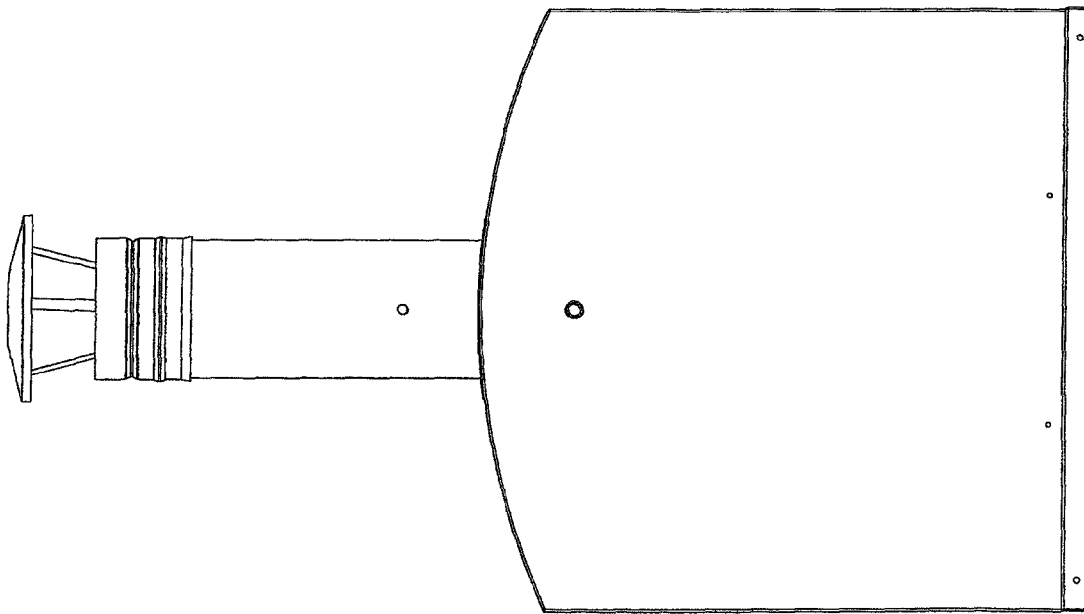


FIG. 3

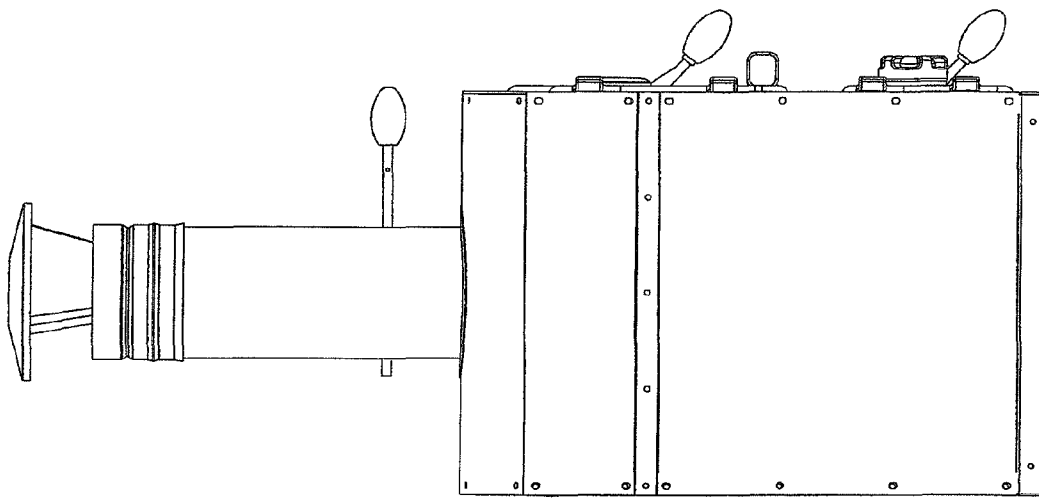


FIG. 4

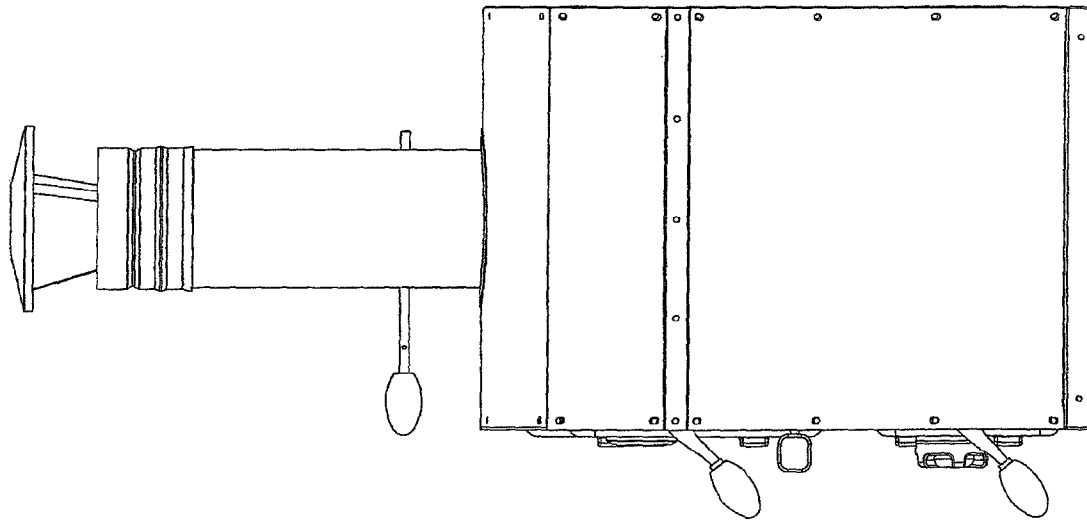


FIG. 5

FIG. 6

