

(19) World Intellectual Property Organization
International Bureau



(43) International Publication Date
16 February 2006 (16.02.2006)

PCT

(10) International Publication Number
WO 2006/016190 A3

(51) International Patent Classification : F16L 9/16,
9/04, 25/00

(21) International Application Number:
PCT/GB2005/050101

(22) International Filing Date: 4 July 2005 (04.07.2005)

(25) Filing Language: English

(26) Publication Language: English

(30) Priority Data:
0414837.5 2 July 2004 (02.07.2004) GB

(71) Applicant (for all designated States except US): ITI
SCOTLAND LIMITED [GB/GB]; 180 St. Vincent
Street, Glasgow, Strathclyde G2 5SG (GB).

(71) Applicant and

(72) Inventor: BOOTH, John Peter [GB/GB]; 17 Holmfirth
Road, New Mill, Huddersfield, Yorkshire HD7 7JY (GB).

(72) Inventor; and

(75) Inventor/Applicant (for US only): LOVIS, Gordon
David [GB/GB]; 101 High Street, Abbotsley, Cam-
bridgeshire PE19 6UE (GB).

(74) Agent: BINGHAM, Ian; IP Asset, 18 Cox's Ground, Ox-
ford OX2 6PX (GB).

(81) Designated States (unless otherwise indicated, for every
kind of national protection available): AE, AG, AL, AM,

AT, AU, AZ, BA, BB, BG, BR, BW, BY, BZ, CA, CH, CN,
CO, CR, CU, CZ, DE, DK, DM, DZ, EC, EE, EG, ES, FI,
GB, GD, GE, GH, GM, HR, HU, ID, IL, IN, IS, JP, KE,
KG, KM, KP, KR, KZ, LC, LK, LR, LS, LT, LU, LV, MA,
MD, MG, MK, MN, MW, MX, MZ, NA, NG, NI, NO, NZ,
OM, PG, PH, PL, PT, RO, RU, SC, SD, SE, SG, SK, SL,
SM, SY, TJ, TM, TN, TR, TT, TZ, UA, UG, US, UZ, VC,
VN, YU, ZA, ZM, ZW.

(84) Designated States (unless otherwise indicated, for every
kind of regional protection available): ARIPO (BW, GH,
GM, KE, LS, MW, MZ, NA, SD, SL, SZ, TZ, UG, ZM,
ZW), Eurasian (AM, AZ, BY, KG, KZ, MD, RU, TJ, TM),
European (AT, BE, BG, CH, CY, CZ, DE, DK, EE, ES, FI,
FR, GB, GR, HU, IE, IS, IT, LT, LU, LV, MC, NL, PL, PT,
RO, SE, SI, SK, TR), OAPI (BF, BJ, CF, CG, CI, CM, GA,
GN, GQ, GW, ML, MR, NE, SN, TD, TG).

Published:

— with international search report

(88) Date of publication of the international search report:
18 May 2006

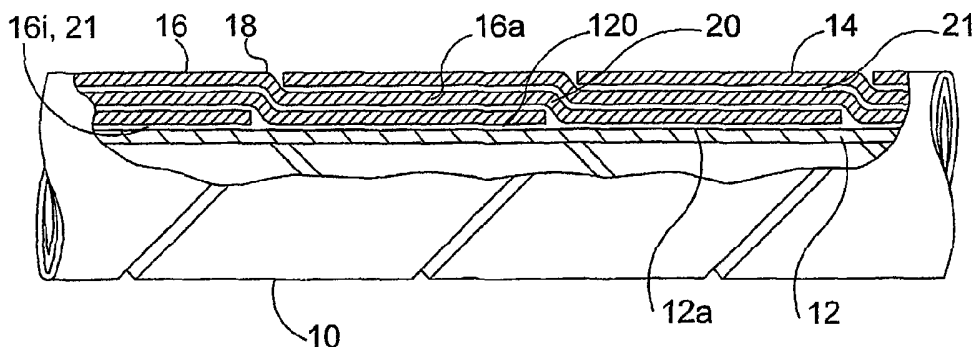
(15) Information about Correction:

Previous Correction:

see PCT Gazette No. 13/2006 of 30 March 2006

For two-letter codes and other abbreviations, refer to the "Guid-
ance Notes on Codes and Abbreviations" appearing at the begin-
ning of each regular issue of the PCT Gazette.

(54) Title: IMPROVEMENTS IN TUBULAR BODIES AND METHODS OF FORMING SAME



(57) Abstract: A tubular body (10) comprises an inner hollow core (12) and an outer casing (14) of one or more strips of self mechanically inter-engaging helically wound material having a higher yield stress than that of the core material. Also provided is a method of forming the tubular body (10) comprising the steps of winding the outer core (14) onto the inner (10) core (12) and an end connector (32) for use with said tubular body (10) when said body (10) is provided with helically extending detents (30a) on an outer surface thereof.

WO 2006/016190 A3

INTERNATIONAL SEARCH REPORT

International Application No
GB2005/050101

A. CLASSIFICATION OF SUBJECT MATTER F16L9/16 F16L9/04 F16L25/00				
According to International Patent Classification (IPC) or to both national classification and IPC				
B. FIELDS SEARCHED				
Minimum documentation searched (classification system followed by classification symbols) F16L B21C F17C				
Documentation searched other than minimum documentation to the extent that such documents are included in the fields searched				
Electronic data base consulted during the international search (name of data base and, where practical, search terms used) EPO-Internal				
C. DOCUMENTS CONSIDERED TO BE RELEVANT				
Category °	Citation of document, with indication, where appropriate, of the relevant passages	Relevant to claim No.		
X	US 5 117 874 A (OCHIAI ET AL) 2 June 1992 (1992-06-02) column 6, line 3 - line 19; figure 1	1-4, 8, 9, 11, 19, 28, 30, 33-35, 41, 47, 48		
X	US 3 880 195 A (GOODRICH ET AL) 29 April 1975 (1975-04-29) column 3, line 63 - column 4, line 46; claim 1; figures	2, 3, 8-12, 28, 33-35		
<table style="width: 100%; border: none;"> <tr> <td style="width: 50%; border: none;"><input checked="" type="checkbox"/> Further documents are listed in the continuation of box C.</td> <td style="width: 50%; border: none;"><input checked="" type="checkbox"/> Patent family members are listed in annex.</td> </tr> </table>			<input checked="" type="checkbox"/> Further documents are listed in the continuation of box C.	<input checked="" type="checkbox"/> Patent family members are listed in annex.
<input checked="" type="checkbox"/> Further documents are listed in the continuation of box C.	<input checked="" type="checkbox"/> Patent family members are listed in annex.			
° Special categories of cited documents :				
A document defining the general state of the art which is not considered to be of particular relevance *E* earlier document but published on or after the international filing date *L* document which may throw doubts on priority claim(s) or which is cited to establish the publication date of another citation or other special reason (as specified) *O* document referring to an oral disclosure, use, exhibition or other means *P* document published prior to the international filing date but later than the priority date claimed	*T* later document published after the international filing date or priority date and not in conflict with the application but cited to understand the principle or theory underlying the invention *X* document of particular relevance; the claimed invention cannot be considered novel or cannot be considered to involve an inventive step when the document is taken alone *Y* document of particular relevance; the claimed invention cannot be considered to involve an inventive step when the document is combined with one or more other such documents, such combination being obvious to a person skilled in the art. *Z* document member of the same patent family			
Date of the actual completion of the international search	Date of mailing of the international search report			
13 January 2006	03.02.06			
Name and mailing address of the ISA European Patent Office, P.B. 5818 Patentlaan 2 NL - 2280 HV Rijswijk Tel. (+31-70) 340-2040, Tx. 31 651 epo nl, Fax: (+31-70) 340-3016	Authorized officer Untermann, N			

INTERNATIONAL SEARCH REPORT

International Application No

GB2005/050101

C.(Continuation) DOCUMENTS CONSIDERED TO BE RELEVANT

Category °	Citation of document, with indication, where appropriate, of the relevant passages	Relevant to claim No.
X	GB 2 280 889 A (* ROYAL ORDNANCE PLC; JOHN PETER * BOOTH) 15 February 1995 (1995-02-15) cited in the application page 12; figures 1,2,10 -----	1-5, 8, 9, 16-19, 30, 33-36, 38, 58, 59
X	US 5 730 188 A (KALMAN ET AL) 24 March 1998 (1998-03-24) figures -----	1-6, 30, 33
A	WO 00/28249 A (UPONOR INNOVATION AB; JAERVENKYLAE, JYRI) 18 May 2000 (2000-05-18) figures 5,6 -----	5, 6, 36
A	DE 854 608 C (MECANO SPEZIALARTIKEL FUER KRAFTFAHRZEUGE HANS SICKINGER) 6 November 1952 (1952-11-06) page 2, line 35 - line 42; figures -----	7
A	US 4 823 847 A (GROSSE ET AL) 25 April 1989 (1989-04-25) cited in the application abstract; figures -----	1, 2, 30-33
A	US 3 530 567 A (HERBERT CAMPBELL SECORD) 29 September 1970 (1970-09-29) cited in the application figures -----	1, 2, 30-33
A	US 4 657 049 A (FOURTY ET AL) 14 April 1987 (1987-04-14) cited in the application abstract; figures -----	1, 2, 30-33
X	GB 2 107 814 A (ROBERTO * FASSINA) 5 May 1983 (1983-05-05) figures -----	25, 27, 49, 51, 53, 56
X	US 1 365 306 A (DICKINSON WILLIAM M) 11 January 1921 (1921-01-11) page 1, line 110 - page 2, line 8; figures -----	25-27, 49-52, 55, 56
X	US 1 091 759 A (PARADIS, FREDERIK E.) 31 March 1914 (1914-03-31) figures -----	25-27, 49-53, 55, 56
X	DE 42 10 978 A1 (KRUSE, GERHARD, 5068 OVERATH, DE) 7 October 1993 (1993-10-07) figures ----- -/--	25-27, 49-53, 55, 56

INTERNATIONAL SEARCH REPORT

International Application No
PCT/GB2005/050101

C.(Continuation) DOCUMENTS CONSIDERED TO BE RELEVANT		
Category °	Citation of document, with indication, where appropriate, of the relevant passages	Relevant to claim No.
X	WO 02/04856 A (UNIVERSITY COLLEGE LONDON; BURKE, RAYMOND, NICHOLAS; WITZ, JOEL, AARON) 17 January 2002 (2002-01-17) figures -----	25-27, 49-51, 55, 56
X	US 4 033 612 A (CHEVALIER ET AL) 5 July 1977 (1977-07-05) figures -----	25-27, 49-56

INTERNATIONAL SEARCH REPORT

International application No.
PCT/GB2005/050101

Box II Observations where certain claims were found unsearchable (Continuation of item 2 of first sheet)

This International Search Report has not been established in respect of certain claims under Article 17(2)(a) for the following reasons:

1. Claims Nos.:
because they relate to subject matter not required to be searched by this Authority, namely:

2. Claims Nos.:
because they relate to parts of the International Application that do not comply with the prescribed requirements to such an extent that no meaningful International Search can be carried out, specifically:

3. Claims Nos.:
because they are dependent claims and are not drafted in accordance with the second and third sentences of Rule 6.4(a).

Box III Observations where unity of invention is lacking (Continuation of Item 3 of first sheet)

This International Searching Authority found multiple inventions in this international application, as follows:

see additional sheet

1. As all required additional search fees were timely paid by the applicant, this International Search Report covers all searchable claims.
2. As all searchable claims could be searched without effort justifying an additional fee, this Authority did not invite payment of any additional fee.
3. As only some of the required additional search fees were timely paid by the applicant, this International Search Report covers only those claims for which fees were paid, specifically claims Nos.:
4. No required additional search fees were timely paid by the applicant. Consequently, this International Search Report is restricted to the invention first mentioned in the claims; it is covered by claims Nos.:

Remark on Protest

- The additional search fees were accompanied by the applicant's protest.
- No protest accompanied the payment of additional search fees.

INTERNATIONAL SEARCH REPORT

International Application No. PCT/GB2005 /050101

FURTHER INFORMATION CONTINUED FROM PCT/ISA/ 210

This International Searching Authority found multiple (groups of) inventions in this international application, as follows:

1. claims: 1-24,28-48,57-61

tubular body and its method of manufacturing

2. claims: 25-27,49-56

end connector

INTERNATIONAL SEARCH REPORT

Information on patent family members

International Application No
/GB2005/050101

Patent document cited in search report	Publication date	Patent family member(s)	Publication date
US 5117874	A	02-06-1992	DE 68919199 D1 08-12-1994
			DE 68919199 T2 01-06-1995
			DK 672489 A 28-02-1990
			EP 0375784 A1 04-07-1990
			WO 8910420 A1 02-11-1989
			JP 1279732 A 10-11-1989
			JP 1708670 C 11-11-1992
			JP 3071503 B 13-11-1991
			NO 895327 A 22-02-1990
US 3880195	A	29-04-1975	AU 477163 B2 14-10-1976
			AU 6644274 A 11-09-1975
			CA 996476 A1 07-09-1976
			GB 1458067 A 08-12-1976
GB 2280889	A	15-02-1995	NONE
US 5730188	A	24-03-1998	AU 2450897 A 11-05-1998
			BR 9712515 A 21-12-1999
			EP 0929767 A1 21-07-1999
			WO 9816770 A1 23-04-1998
WO 0028249	A	18-05-2000	AT 313031 T 15-12-2005
			AU 1274300 A 29-05-2000
			CA 2348423 A1 18-05-2000
			CN 1328625 A 26-12-2001
			EP 1133653 A1 19-09-2001
			FI 982427 A 10-05-2000
			JP 2002529279 T 10-09-2002
			PL 348360 A1 20-05-2002
			RU 2230248 C2 10-06-2004
DE 854608	C	06-11-1952	NONE
US 4823847	A	25-04-1989	CA 1183089 A1 26-02-1985
			CS 235022 B2 16-04-1985
			DE 3135966 A1 31-03-1983
			EP 0074482 A2 23-03-1983
			JP 58055134 A 01-04-1983
			SU 1400517 A3 30-05-1988
			US 4688319 A 25-08-1987
US 3530567	A	29-09-1970	DE 1602335 A1 14-05-1970
			FR 1508841 A 05-01-1968
			GB 1176241 A 01-01-1970
			SE 339677 B 18-10-1971
US 4657049	A	14-04-1987	CA 994687 A1 10-08-1976
			DE 2352086 A1 18-04-1974
			FR 2203044 A1 10-05-1974
			GB 1407913 A 01-10-1975
			IT 994775 B 20-10-1975
			JP 1080315 C 25-01-1982
			JP 49073715 A 16-07-1974
			JP 56023780 B 02-06-1981
			NL 7313989 A 16-04-1974
			NO 154244 B 05-05-1986
			SE 405889 B 08-01-1979

INTERNATIONAL SEARCH REPORT

Information on patent family members

International Application No /GB2005/050101
--

Patent document cited in search report	A	Publication date	Patent family member(s)	Publication date
GB 2107814	A	05-05-1983	BE 894444 A1 DE 3237929 A1 ES 267768 U FR 2514453 A1 IT 1195214 B SE 8205398 A	17-01-1983 11-05-1983 01-04-1983 15-04-1983 12-10-1988 21-09-1982
US 1365306	A	11-01-1921	NONE	
US 1091759	A		NONE	
DE 4210978	A1	07-10-1993	NONE	
WO 0204856	A	17-01-2002	AU 6775101 A EP 1297276 A1 JP 2004502916 T NO 20030014 A US 2005071978 A1	21-01-2002 02-04-2003 29-01-2004 03-03-2003 07-04-2005
US 4033612	A	05-07-1977	NONE	