

(19) World Intellectual Property Organization
International Bureau



(43) International Publication Date
7 July 2011 (07.07.2011)

(10) International Publication Number
WO 2011/082383 A3

(51) International Patent Classification:

A61B 18/20 (2006.01) A61C 19/06 (2006.01)
A61B 18/22 (2006.01) A61N 5/067 (2006.01)

(21) International Application Number:

PCT/US2010/062645

(22) International Filing Date:

31 December 2010 (31.12.2010)

(25) Filing Language:

English

(26) Publication Language:

English

(30) Priority Data:

61/291,608 31 December 2009 (31.12.2009) US

(71) Applicant (for all designated States except US): **LASER ABRASIVE TECHNOLOGIES, LLC** [US/US]; 150 Quincy Shore Drive, Suite 16, Quincy, MA 02171 (US).

(72) Inventors; and

(75) Inventors/Applicants (for US only): **BELIKOV, Andrei, V.** [RU/RU]; 141/86 Narodnogo Opolcheniya Ave., St. Petersburg, 198217 (RU). **FELDCHEIN, Felix, L.** [US/US]; 16 Alder Lane, Framingham, MA 01701 (US).

ALTSHULER, Gregory, B. [US/US]; 17 Cerulean Way, Lincoln, MA 01773 (US).

(74) Agent: **ELISEEVA, Maria, M.**; Houston Eliseeva LLP, 420 Bedford Street, Suite 155, Lexington, MA 02420 (US).

(81) Designated States (unless otherwise indicated, for every kind of national protection available): AE, AG, AL, AM, AO, AT, AU, AZ, BA, BB, BG, BH, BR, BW, BY, BZ, CA, CH, CL, CN, CO, CR, CU, CZ, DE, DK, DM, DO, DZ, EC, EE, EG, ES, FI, GB, GD, GE, GH, GM, GT, HN, HR, HU, ID, IL, IN, IS, JP, KE, KG, KM, KN, KP, KR, KZ, LA, LC, LK, LR, LS, LT, LU, LY, MA, MD, ME, MG, MK, MN, MW, MX, MY, MZ, NA, NG, NI, NO, NZ, OM, PE, PG, PH, PL, PT, RO, RS, RU, SC, SD, SE, SG, SK, SL, SM, ST, SV, SY, TH, TJ, TM, TN, TR, TT, TZ, UA, UG, US, UZ, VC, VN, ZA, ZM, ZW.

(84) Designated States (unless otherwise indicated, for every kind of regional protection available): ARIPO (BW, GH, GM, KE, LR, LS, MW, MZ, NA, SD, SL, SZ, TZ, UG, ZM, ZW), Eurasian (AM, AZ, BY, KG, KZ, MD, RU, TJ, TM), European (AL, AT, BE, BG, CH, CY, CZ, DE, DK, EE, ES, FI, FR, GB, GR, HR, HU, IE, IS, IT, LT, LU,

[Continued on next page]

(54) Title: DENTAL SURGICAL LASER WITH FEEDBACK MECHANISMS

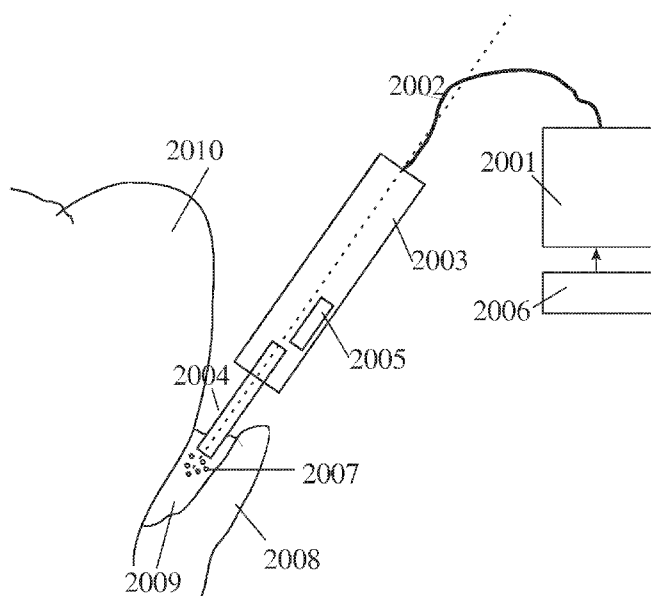


Figure 20

(57) Abstract: A surgical device based on the concept of controlling the laser power during laser surgery based on optical and other signals from the tip and the tissue is described. A laser surgical system generally comprises several basic components, such as a laser, a delivery system, a tip and a control system. A tip may be considered as a particular case of a thermo-optical tip (TOT). TOT is an optical and mechanical element which could be used to modify or treat soft and hard tissues, including cutting, coagulation, vaporization, carbonization, and ablation of tissues.



LV, MC, MK, MT, NL, NO, PL, PT, RO, RS, SE, SI, SK,
SM, TR), OAPI (BF, BJ, CF, CG, CI, CM, GA, GN, GQ,
GW, ML, MR, NE, SN, TD, TG).

— before the expiration of the time limit for amending the
claims and to be republished in the event of receipt of
amendments (Rule 48.2(h))

Published:

— with international search report (Art. 21(3))

(88) Date of publication of the international search report:

17 November 2011

A. CLASSIFICATION OF SUBJECT MATTER*A61B 18/20(2006.01)i, A61B 18/22(2006.01)i, A61C 19/06(2006.01)i, A61N 5/067(2006.01)i*

According to International Patent Classification (IPC) or to both national classification and IPC

B. FIELDS SEARCHED

Minimum documentation searched (classification system followed by classification symbols)

A61B 18/20; A61N 5/06; H01S 3/11; A61C 1/00

Documentation searched other than minimum documentation to the extent that such documents are included in the fields searched

Korean utility models and applications for utility models

Japanese utility models and applications for utility models

Electronic data base consulted during the international search (name of data base and, where practicable, search terms used)

eKOMPASS(KIPO internal) & Keywords: dental laser system, radiation source, thermo radiation, spring(force control mechanism), feedback

C. DOCUMENTS CONSIDERED TO BE RELEVANT

| Category* | Citation of document, with indication, where appropriate, of the relevant passages | Relevant to claim No. |
|-----------|---|-----------------------|
| X A | US 2008-0262577 A1 (ALTSHULER, GREGORY B. et al.) 23 October 2008 See paragraphs 42, 46, 78; claim 27; figs. 1a, 10. | 26,27 1-25,28-38 |
| A | WO 2009-003014 A2 (LASER ABRASIVE TECHNOLOGIES, LLC) 31 December 2008 See paragraphs 78-80, 82; claim 1; figs. 1-4. | 1-38 |
| A | US 2005-0245917 A1 (STRASSL, MARTIN et al.) 03 November 2005 See paragraphs 38-40; figs. 1-3. | 1-38 |
| A | US 2005-0256516 A1 (BOUTOUSSOV, DMITRI) 17 November 2005 See paragraphs 22, 27-30, 37; claim 1; figs. 1, 2. | 1-38 |

 Further documents are listed in the continuation of Box C. See patent family annex.

* Special categories of cited documents:

"A" document defining the general state of the art which is not considered to be of particular relevance

"E" earlier application or patent but published on or after the international filing date

"L" document which may throw doubts on priority claim(s) or which is cited to establish the publication date of citation or other special reason (as specified)

"O" document referring to an oral disclosure, use, exhibition or other means

"P" document published prior to the international filing date but later than the priority date claimed

"T" later document published after the international filing date or priority date and not in conflict with the application but cited to understand the principle or theory underlying the invention

"X" document of particular relevance; the claimed invention cannot be considered novel or cannot be considered to involve an inventive step when the document is taken alone

"Y" document of particular relevance; the claimed invention cannot be considered to involve an inventive step when the document is combined with one or more other such documents, such combination being obvious to a person skilled in the art

"&" document member of the same patent family

Date of the actual completion of the international search

27 SEPTEMBER 2011 (27.09.2011)

Date of mailing of the international search report

27 SEPTEMBER 2011 (27.09.2011)

Name and mailing address of the ISA/KR

Korean Intellectual Property Office
Government Complex-Daejeon, 189 Cheongsu-ro,
Seo-gu, Daejeon 302-701, Republic of Korea

Facsimile No. 82-42-472-7140

Authorized officer

KANG, HEE GOK

Telephone No. 82-42-481-8264



INTERNATIONAL SEARCH REPORT

Information on patent family members

International application No.

PCT/US2010/062645

| Patent document cited in search report | Publication date | Patent family member(s) | Publication date |
|--|------------------|-------------------------|------------------|
| US 2008-0262577 A1 | 23.10.2008 | EP 1974422 A2 | 01.10.2008 |
| | | WO 2007-070881 A2 | 21.06.2007 |
| | | WO 2007-070881 A3 | 15.05.2008 |
| WO 2009-003014 A2 | 31.12.2008 | US 2010-0167226 A1 | 01.07.2010 |
| | | WO 2009-003014 A3 | 31.12.2008 |
| US 2005-0245917 A1 | 03.11.2005 | AT 500141 A2 | 15.11.2005 |
| | | AT 500141 B1 | 15.03.2008 |
| | | EP 1591076 A2 | 02.11.2005 |
| | | EP 1591076 A3 | 31.05.2006 |
| | | US 2011-0183283 A1 | 28.07.2011 |
| | | US 7931645 B2 | 26.04.2011 |
| US 2005-0256516 A1 | 17.11.2005 | AU 2005-206787 A1 | 04.08.2005 |
| | | AU 2005-206787 B2 | 23.12.2010 |
| | | AU 2005-267072 A1 | 02.02.2006 |
| | | AU 2005-267072 B2 | 11.03.2010 |
| | | AU 2005-272614 A1 | 23.02.2006 |
| | | AU 2005-272614 B2 | 14.07.2011 |
| | | AU 2009-305681 A1 | 22.04.2010 |
| | | CA 2229848 A1 | 06.03.1997 |
| | | CA 2229848 C | 17.07.2007 |
| | | CA 2552968 A1 | 04.08.2005 |
| | | CA 2575443 A1 | 02.02.2006 |
| | | CA 2575564 A1 | 23.02.2006 |
| | | CA 2586117 A1 | 06.03.1997 |
| | | CA 2586117 C | 03.02.2009 |
| | | CA 2676563 A1 | 31.07.2008 |
| | | CA 2704732 A1 | 26.03.2009 |
| | | CA 2740734 A1 | 22.04.2010 |
| | | CN 101432102 A | 13.05.2009 |
| | | CN 101563909 A | 21.10.2009 |
| | | EP 0847319 A2 | 23.01.2002 |
| | | EP 0847319 B1 | 07.04.2004 |
| | | EP 1016328 A2 | 05.07.2000 |
| | | EP 1016328 B1 | 07.12.2005 |
| | | EP 1523167 A2 | 13.04.2005 |
| | | EP 1523167 A3 | 02.11.2006 |
| | | EP 1560470 A1 | 03.08.2005 |
| | | EP 1560470 B1 | 30.07.2008 |
| | | EP 1560470 B8 | 15.10.2008 |
| | | EP 1711849 A2 | 18.10.2006 |
| | | EP 1732646 A2 | 20.12.2006 |
| | | EP 1732646 A4 | 11.06.2008 |
| | | EP 1748743 A2 | 07.02.2007 |
| | | EP 1778117 A2 | 02.05.2007 |
| | | EP 1782511 A2 | 09.05.2007 |
| | | EP 1799404 A2 | 27.06.2007 |

INTERNATIONAL SEARCH REPORT

Information on patent family members

International application No.

PCT/US2010/062645

| Patent document cited in search report | Publication date | Patent family member(s) | Publication date |
|--|------------------|-------------------------|------------------|
| | | EP 1842076 A2 | 10.10.2007 |
| | | EP 2103086 A1 | 23.09.2009 |
| | | EP 2126466 A2 | 02.12.2009 |
| | | GB 2430381 A | 28.03.2007 |
| | | JP 04073036 B2 | 09.04.2008 |
| | | JP 11-511386 A | 05.10.1999 |
| | | JP 2007-537776 A | 27.12.2007 |
| | | JP 2008-508034 A | 21.03.2008 |
| | | JP 2008-509755 A | 03.04.2008 |
| | | JP 2010-526452 A | 29.07.2010 |
| | | US 05741247 A | 21.04.1998 |
| | | US 05785521 A | 28.07.1998 |
| | | US 2002-0014855 A1 | 07.02.2002 |
| | | US 2002-0149324 A1 | 17.10.2002 |
| | | US 2003-228094 A1 | 11.12.2003 |
| | | US 2004-0068256 A1 | 08.04.2004 |
| | | US 2004-0092925 A1 | 13.05.2004 |
| | | US 2005-0076118 A1 | 07.04.2005 |
| | | US 2005-0256517 A1 | 17.11.2005 |
| | | US 2005-0281530 A1 | 22.12.2005 |
| | | US 2005-0281887 A1 | 22.12.2005 |
| | | US 2005-0283143 A1 | 22.12.2005 |
| | | US 2006-0043903 A1 | 02.03.2006 |
| | | US 2006-0126680 A1 | 15.06.2006 |
| | | US 2006-0142743 A1 | 29.06.2006 |
| | | US 2006-0142745 A1 | 29.06.2006 |
| | | US 2006-0240381 A1 | 26.10.2006 |
| | | US 2006-0241574 A1 | 26.10.2006 |
| | | US 2007-0014322 A1 | 18.01.2007 |
| | | US 2007-0016176 A1 | 18.01.2007 |
| | | US 2007-0042315 A1 | 22.02.2007 |
| | | US 2007-0051293 A1 | 08.03.2007 |
| | | US 2007-0060917 A1 | 15.03.2007 |
| | | US 2007-0104419 A1 | 10.05.2007 |
| | | US 2007-0190482 A1 | 16.08.2007 |
| | | US 2007-0208328 A1 | 06.09.2007 |
| | | US 2007-0232264 A1 | 04.10.2007 |
| | | US 2007-0263975 A1 | 15.11.2007 |
| | | US 2008-0014903 A1 | 17.01.2008 |
| | | US 2008-0065057 A1 | 13.03.2008 |
| | | US 2008-0069172 A1 | 20.03.2008 |
| | | US 2008-0138764 A1 | 12.06.2008 |
| | | US 2008-0151953 A1 | 26.06.2008 |
| | | US 2008-0154959 A1 | 26.06.2008 |
| | | US 2008-0157690 A1 | 03.07.2008 |
| | | US 2008-0181261 A1 | 31.07.2008 |
| | | US 2008-0181278 A1 | 31.07.2008 |
| | | US 2008-0203280 A1 | 28.08.2008 |
| | | US 2008-0212624 A1 | 04.09.2008 |
| | | US 2008-0219629 A1 | 11.09.2008 |

INTERNATIONAL SEARCH REPORT

Information on patent family members

International application No.

PCT/US2010/062645

| Patent document cited in search report | Publication date | Patent family member(s) | Publication date |
|---|---------------------|----------------------------|---------------------|
| | | US 2008-0276192 A1 | 06.11.2008 |
| | | US 2008-0317429 A1 | 25.12.2008 |
| | | US 2009-0043364 A1 | 12.02.2009 |
| | | US 2009-0075229 A1 | 19.03.2009 |
| | | US 2009-0104580 A1 | 23.04.2009 |
| | | US 2009-0105707 A1 | 23.04.2009 |
| | | US 2009-0141752 A1 | 04.06.2009 |
| | | US 2009-0143775 A1 | 04.06.2009 |
| | | US 2009-0225060 A1 | 10.09.2009 |
| | | US 2009-0275935 A1 | 05.11.2009 |
| | | US 2009-0281531 A1 | 12.11.2009 |
| | | US 2009-0298004 A1 | 03.12.2009 |
| | | US 2010-0086892 A1 | 08.04.2010 |
| | | US 2010-0100086 A1 | 22.04.2010 |
| | | US 2010-0125291 A1 | 20.05.2010 |
| | | US 2010-0145323 A1 | 10.06.2010 |
| | | US 2010-0151406 A1 | 17.06.2010 |
| | | US 2010-0185188 A1 | 22.07.2010 |
| | | US 2010-0233645 A1 | 16.09.2010 |
| | | US 2011-0032958 A1 | 10.02.2011 |
| | | US 2011-0059417 A9 | 10.03.2011 |
| | | US 2011-0082526 A1 | 07.04.2011 |
| | | US 2011-0129789 A1 | 02.06.2011 |
| | | US 6231567 B1 | 15.05.2001 |
| | | US 6254597 B1 | 03.07.2001 |
| | | US 6288499 B1 | 11.09.2001 |
| | | US 6350123 B1 | 26.02.2002 |
| | | US 6389193 B1 | 14.05.2002 |
| | | US 6561803 B1 | 13.05.2003 |
| | | US 6567582 B1 | 20.05.2003 |
| | | US 6610053 B1 | 26.08.2003 |
| | | US 6669685 B1 | 30.12.2003 |
| | | US 6744790 B1 | 01.06.2004 |
| | | US 6821272 B2 | 23.11.2004 |
| | | US 7108693 B2 | 19.09.2006 |
| | | US 7187822 B2 | 06.03.2007 |
| | | US 7288086 B1 | 30.10.2007 |
| | | US 7320594 B1 | 22.01.2008 |
| | | US 7415050 B2 | 19.08.2008 |
| | | US 7421186 B2 | 02.09.2008 |
| | | US 7424199 B2 | 09.09.2008 |
| | | US 7563226 B2 | 21.07.2009 |
| | | US 7620290 B2 | 17.11.2009 |
| | | US 7630420 B2 | 08.12.2009 |
| | | US 7693535 B2 | 06.04.2010 |
| | | US 7695469 B2 | 13.04.2010 |
| | | US 7696466 B2 | 13.04.2010 |
| | | US 7702196 B2 | 20.04.2010 |
| | | US 7815630 B2 | 19.10.2010 |
| | | US 7817687 B2 | 19.10.2010 |

INTERNATIONAL SEARCH REPORT

Information on patent family members

International application No.

PCT/US2010/062645

| Patent document cited in search report | Publication date | Patent family member(s) | Publication date |
|---|---------------------|----------------------------|---------------------|
| | | US 7957440 B2 | 07.06.2011 |
| | | US 7970027 B2 | 28.06.2011 |
| | | US 7970030 B2 | 28.06.2011 |
| | | WO 2005-070034 A2 | 04.08.2005 |
| | | WO 2005-070034 A3 | 04.08.2005 |
| | | WO 2005-070129 A2 | 04.08.2005 |
| | | WO 2005-070129 A3 | 09.08.2007 |
| | | WO 2005-070153 A2 | 04.08.2005 |
| | | WO 2005-070153 A3 | 04.08.2005 |
| | | WO 2006-012461 A2 | 02.02.2006 |
| | | WO 2006-012461 A3 | 02.02.2006 |
| | | WO 2006-015151 A2 | 09.02.2006 |
| | | WO 2006-015151 A3 | 09.02.2006 |
| | | WO 2006-015153 A2 | 09.02.2006 |
| | | WO 2006-015153 A3 | 09.02.2006 |
| | | WO 2006-020946 A2 | 23.02.2006 |
| | | WO 2006-020946 A3 | 23.02.2006 |
| | | WO 2006-074486 A2 | 13.07.2006 |
| | | WO 2006-074486 A3 | 13.07.2006 |
| | | WO 2008-079167 A1 | 03.07.2008 |
| | | WO 2008-092007 A2 | 31.07.2008 |
| | | WO 2008-092007 A3 | 31.07.2008 |
| | | WO 2008-092042 A2 | 31.07.2008 |
| | | WO 2008-092042 A3 | 31.07.2008 |
| | | WO 2008-092106 A2 | 31.07.2008 |
| | | WO 2008-092106 A3 | 31.07.2008 |
| | | WO 2008-137191 A1 | 13.11.2008 |
| | | WO 2008-157715 A3 | 24.12.2008 |
| | | WO 2009-039456 A1 | 26.03.2009 |
| | | WO 2010-045461 A1 | 22.04.2010 |
| | | WO 2010-096427 A1 | 26.08.2010 |
| | | WO 2011-069163 A1 | 09.06.2011 |
| | | WO 97-07928 A2 | 06.03.1997 |
| | | WO 98-57526 A2 | 17.12.1998 |