



US00D423146S

United States Patent [19] Wang

[11] Patent Number: **Des. 423,146**
[45] Date of Patent: **** Apr. 18, 2000**

- [54] **AQUARIUM**
- [75] Inventor: **Chiao-Ming Wang**, Taichung Hsien, Taiwan
- [73] Assignee: **Meiko Pet Corporation**, Taichung Hsien, Taiwan
- [**] Term: **14 Years**
- [21] Appl. No.: **29/100,623**
- [22] Filed: **Feb. 16, 1999**
- [51] **LOC (6) Cl.** **30-02**
- [52] **U.S. Cl.** **D30/101**
- [58] **Field of Search** D30/101-107;
119/245-258, 51.04; 210/416.2; 428/7;
362/101, 97, 130

D. 361,412	8/1995	Ichikawa	D30/101
D. 362,088	9/1995	Ichikawa	D30/101
D. 366,350	1/1996	Ichikawa	D30/101
D. 397,520	8/1998	Ichikawa	D30/101
4,078,522	3/1978	Akers	119/266
4,191,129	3/1980	Renny	119/253

Primary Examiner—Cathy Anne MacCormac
Attorney, Agent, or Firm—Rosenberg, Klein & Lee

[57] CLAIM

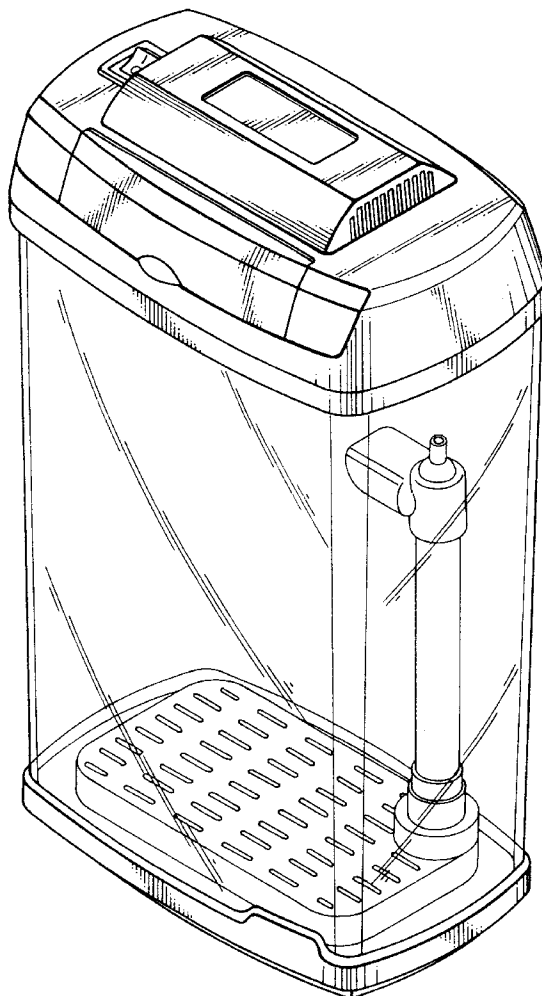
The ornamental design for an aquarium, as shown and described.

DESCRIPTION

FIG. 1 is a perspective view of aquarium showing my new design;
FIG. 2 is a front elevation view thereof;
FIG. 3 is a rear elevation view thereof;
FIG. 4 is a left side elevation view thereof;
FIG. 5 is a right side elevation view thereof;
FIG. 6 is a top plan view thereof; and,
FIG. 7 is a bottom plan view thereof.

- [56] **References Cited**
- U.S. PATENT DOCUMENTS
- D. 158,074 4/1950 Hollick-Smith D30/101
- D. 347,911 6/1994 Tominaga D30/101
- D. 361,170 8/1995 Hashimoto D30/101

1 Claim, 5 Drawing Sheets



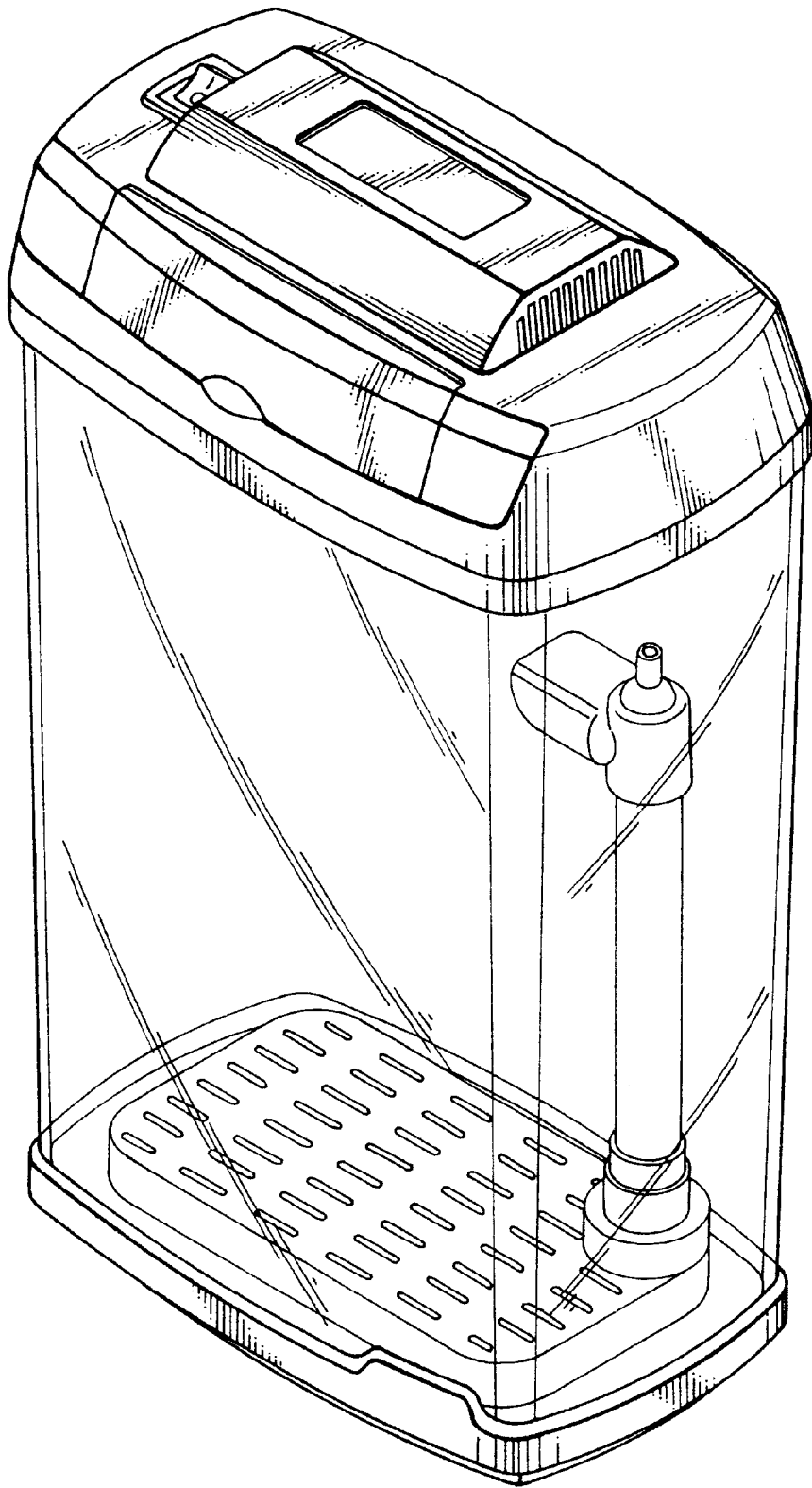


FIG. 1

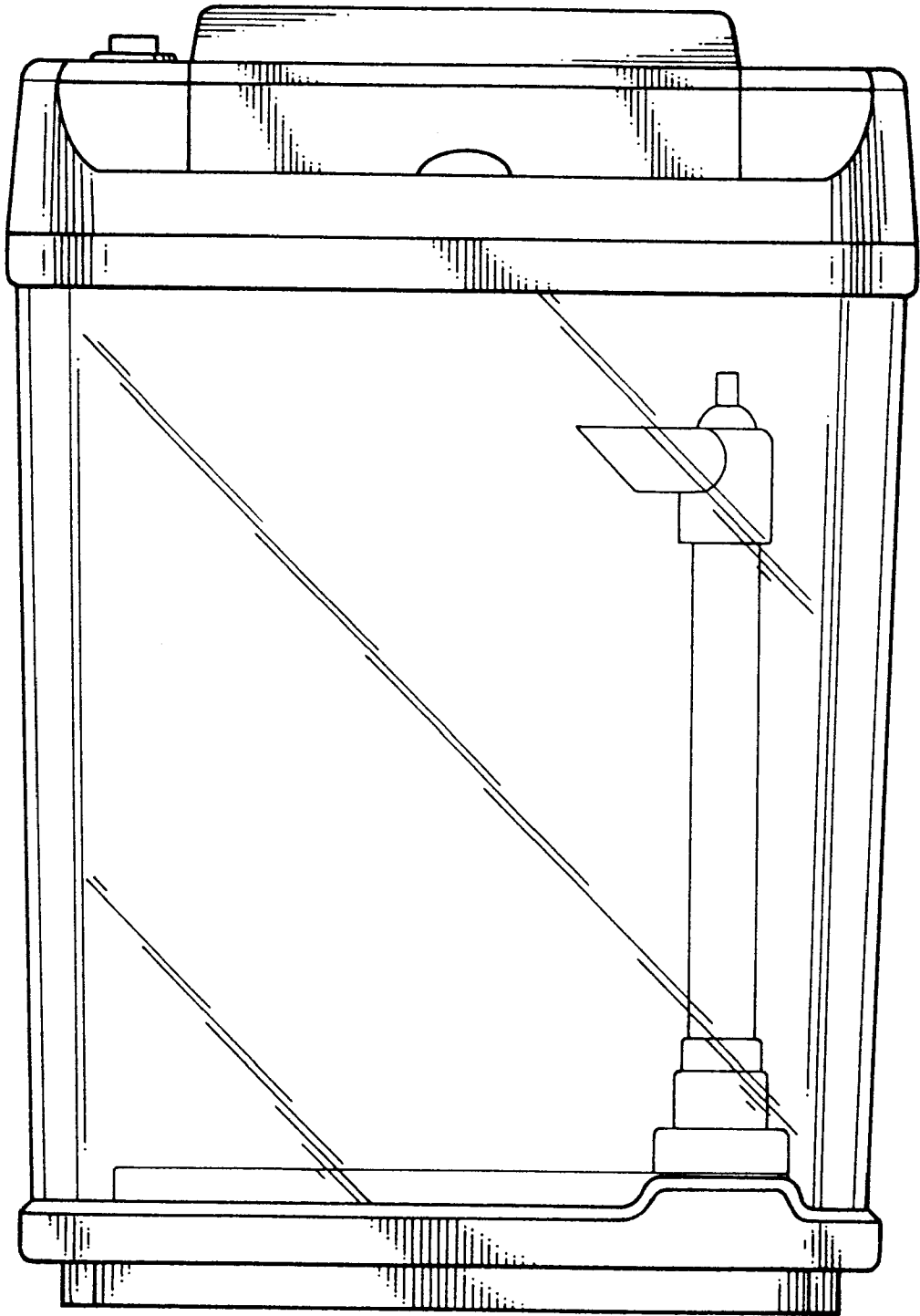


FIG. 2

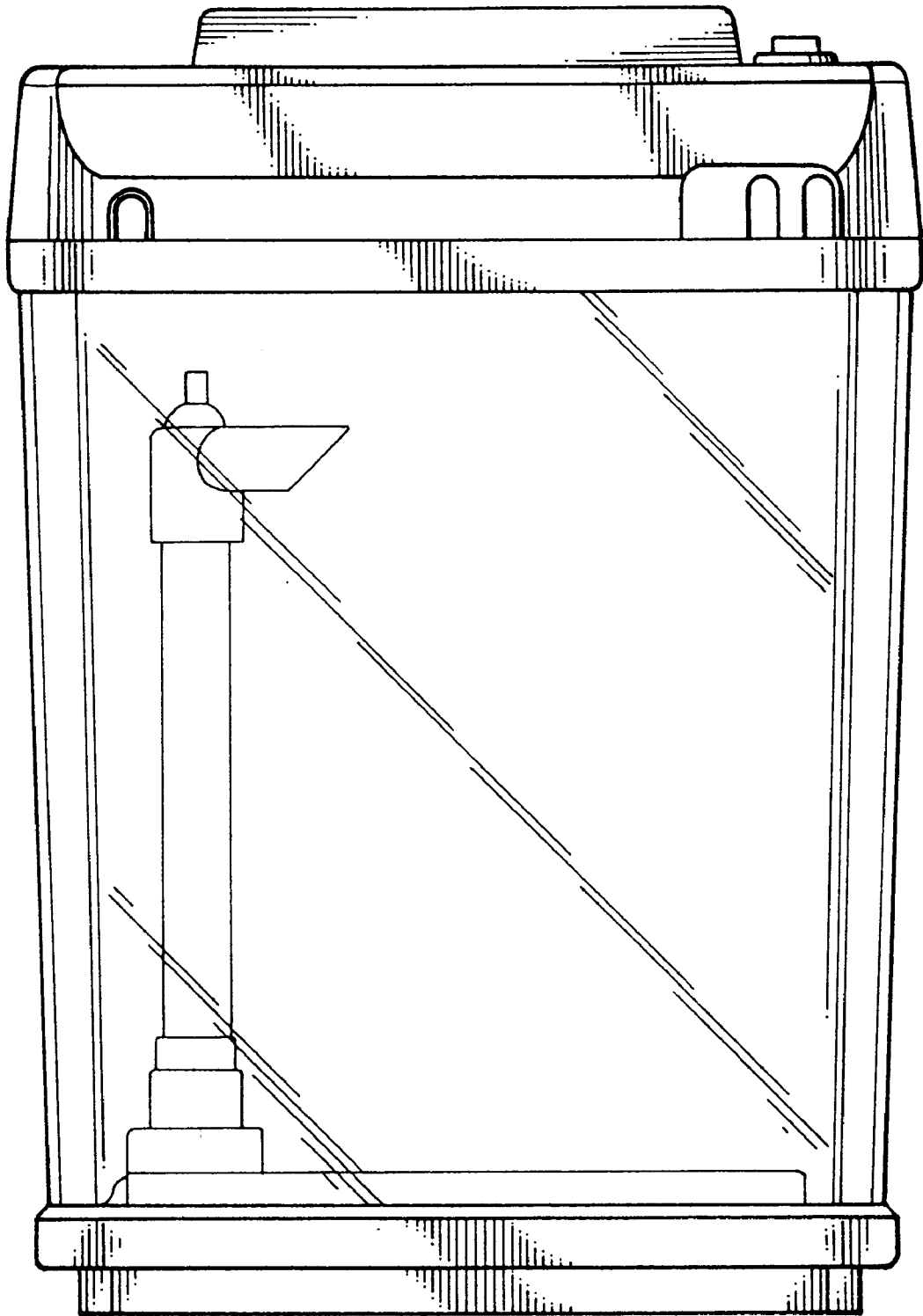


FIG. 3

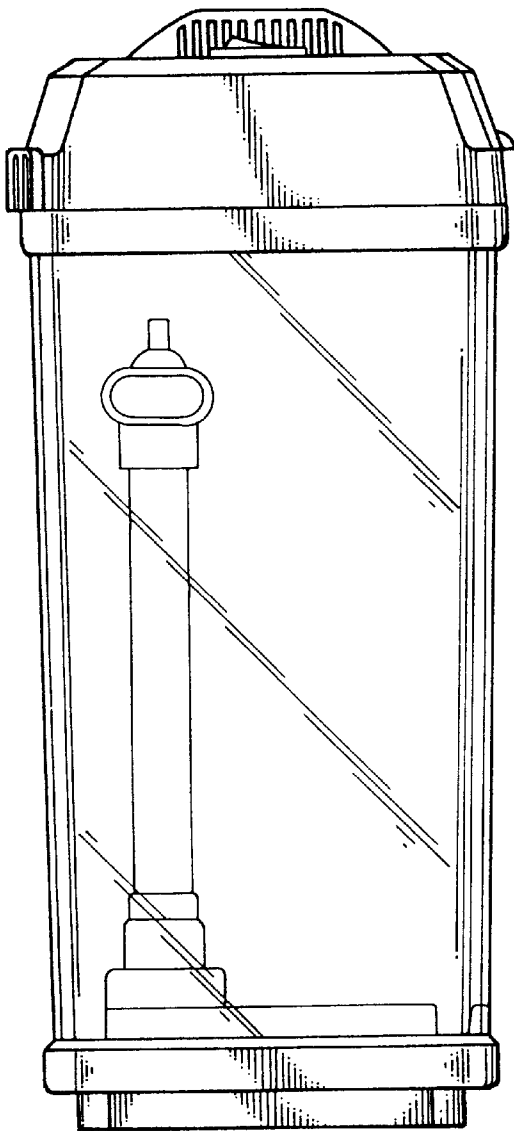


FIG. 4

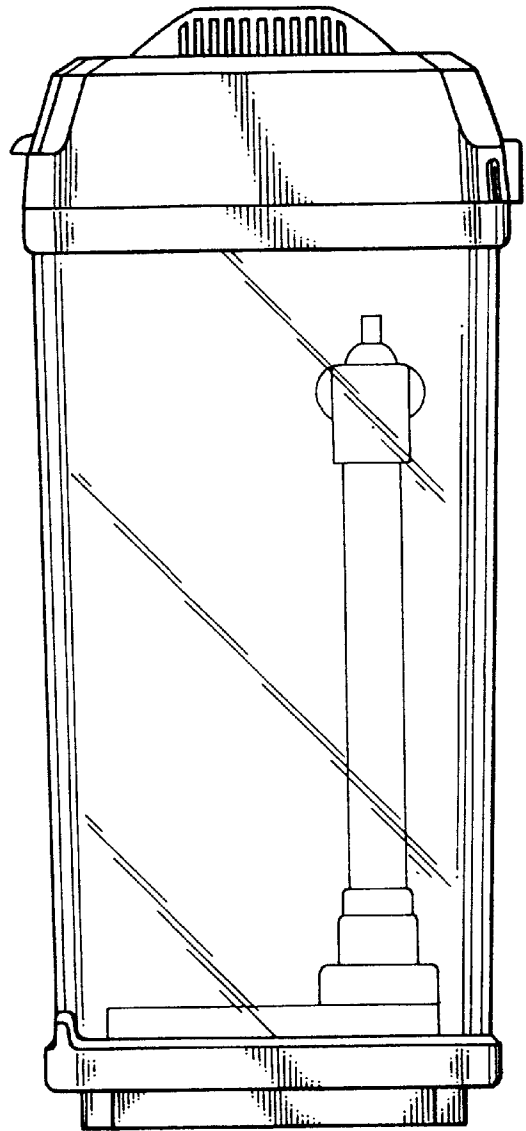


FIG. 5

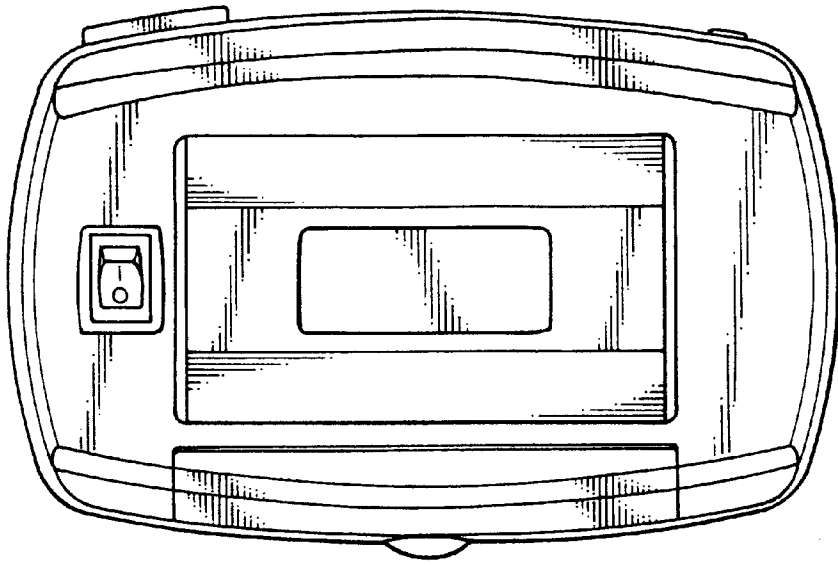


FIG. 6

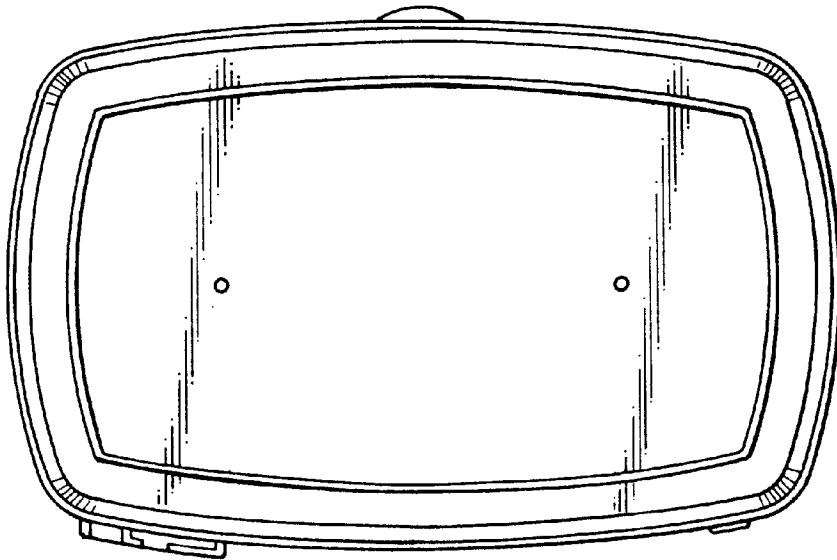


FIG. 7