



(12) **United States Design Patent**
Chan et al.

(10) **Patent No.:** **US D920,983 S**
(45) **Date of Patent:** **** Jun. 1, 2021**

- (54) **CASE FOR PORTABLE ELECTRONIC COMPUTING DEVICE**
- (71) Applicant: **Pioneer Square Brands, Inc.**, Seattle, WA (US)
- (72) Inventors: **Jaimie Emerald Chan**, Renton, WA (US); **Michael Cooper Ferren**, Camas, WA (US); **Brian Lewis Piper**, Seattle, WA (US)
- (73) Assignee: **PIONEER SQUARE BRANDS, INC.**, Mclean, VA (US)
- (**) Term: **15 Years**
- (21) Appl. No.: **29/763,115**

7,502,225	B2 *	3/2009	Solomon	G06F 1/1632
					361/679.41
D620,001	S *	7/2010	Reed	D14/315
8,139,357	B2 *	3/2012	Trang	G06F 1/203
					361/679.59
D658,188	S	4/2012	Diebel		
D659,139	S *	5/2012	Gengler	D14/392
D681,641	S	5/2013	Van Den Nieuwenhuizen et al.		
D709,510	S	7/2014	Soare		
D724,093	S *	3/2015	Dong	D14/440
D737,276	S *	8/2015	Armstrong	D14/440
9,227,763	B2 *	1/2016	Gengler	G06F 1/16
D753,648	S *	4/2016	Shyu	D14/315
D772,880	S *	11/2016	Corcoran	D14/440
9,489,054	B1 *	11/2016	Sumsion	G06F 1/1681
D801,976	S *	11/2017	Li	D14/440
D808,395	S	1/2018	Fenton		
D816,087	S	4/2018	Fenton et al.		
D817,334	S	5/2018	Fenton et al.		
D837,219	S	1/2019	Gao		

(Continued)

- (22) Filed: **Dec. 21, 2020**
- (51) **LOC (13) Cl.** **14-02**
- (52) **U.S. Cl.**
USPC **D14/440; D14/316**
- (58) **Field of Classification Search**
USPC D14/440, 447, 250; 206/45.23, 320,
206/45.2; 361/679.55; 294/25; 224/218
CPC ... G06F 1/1628; G06F 1/1626; A47B 23/044;
H04B 1/3888
See application file for complete search history.

Primary Examiner — Cynthia R Underwood
(74) *Attorney, Agent, or Firm* — Grandview Law

(57) **CLAIM**

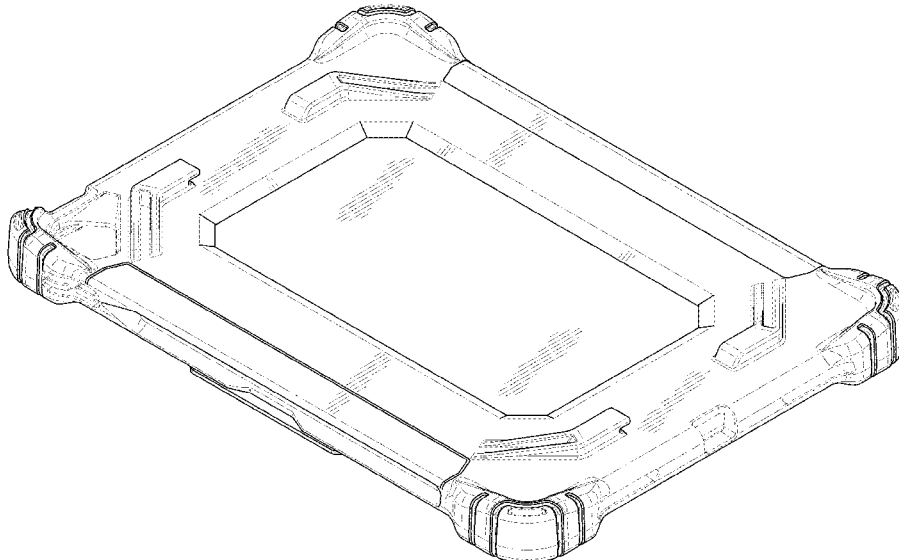
The ornamental design for a case for portable electronic computing device, as shown and described.

DESCRIPTION

FIG. 1 is a bottom perspective view of a case for portable electronic computing device showing our new design. FIG. 2 is a front elevational view thereof. FIG. 3 is a rear elevational view thereof. FIG. 4 is a right elevational view thereof. FIG. 5 is a left elevational view thereof. FIG. 6 is a bottom plan view thereof; and, FIG. 7 is a top plan view thereof. The features shown in broken lines in the drawing figures depict features that form no part of the claimed design.

1 Claim, 7 Drawing Sheets

- (56) **References Cited**
U.S. PATENT DOCUMENTS
- 4,259,568 A * 3/1981 Dynesen G06F 15/0216
206/305
- 5,375,076 A * 12/1994 Goodrich G06F 1/1626
361/679.17
- 5,383,138 A * 1/1995 Motoyama E05C 1/16
361/679.27
- 7,042,712 B2 * 5/2006 Ghosh G06F 1/1605
206/320
- 7,318,521 B2 * 1/2008 Lau A45C 11/00
206/320



(56)

References Cited

U.S. PATENT DOCUMENTS

D844,611 S	4/2019	Ferren et al.		D895,630 S	9/2020	Piper et al.	
D847,817 S	5/2019	Cheng		D898,747 S *	10/2020	Deng	D14/440
D850,452 S	6/2019	Akana et al.		D902,934 S	11/2020	Manzano et al.	
D852,199 S	6/2019	Kim et al.		D906,340 S *	12/2020	Akana	D14/440
D852,200 S	6/2019	Chan et al.		D908,132 S *	1/2021	Poon	D14/440
D852,802 S	7/2019	Gao		2001/0009500 A1 *	7/2001	Selker	G06F 3/0395
D863,317 S	10/2019	Piper et al.					361/679.55
D868,071 S *	11/2019	Liu	D14/440	2009/0017883 A1 *	1/2009	Lin	H04M 1/026
D868,789 S	12/2019	Weng					455/575.8
D868,790 S	12/2019	Weng		2010/0294909 A1 *	11/2010	Hauser	B42D 9/00
D872,093 S *	1/2020	Xu	D14/440				248/456
D881,895 S	4/2020	Liu		2012/0140396 A1 *	6/2012	Zeliff	G06F 1/1632
D883,989 S	5/2020	Cheng					361/679.09
D888,063 S	6/2020	Chan et al.		2012/0194448 A1 *	8/2012	Rothkopf	B60R 11/0252
D888,718 S	6/2020	Xu					345/173
D888,719 S *	6/2020	Moore	D14/440	2014/0139989 A1 *	5/2014	Mori	G06F 1/1626
D892,128 S *	8/2020	Chen	D14/440				361/679.09
D892,803 S *	8/2020	Armstrong	D14/440	2015/0280768 A1 *	10/2015	Huang	H04M 1/7253
D892,804 S	8/2020	Lin					455/575.8
D892,806 S	8/2020	Manazo et al.		2015/0296060 A1 *	10/2015	Gu	G06F 1/162
							455/575.4
				2016/0349794 A1 *	12/2016	Yeh	G06F 3/0426

* cited by examiner

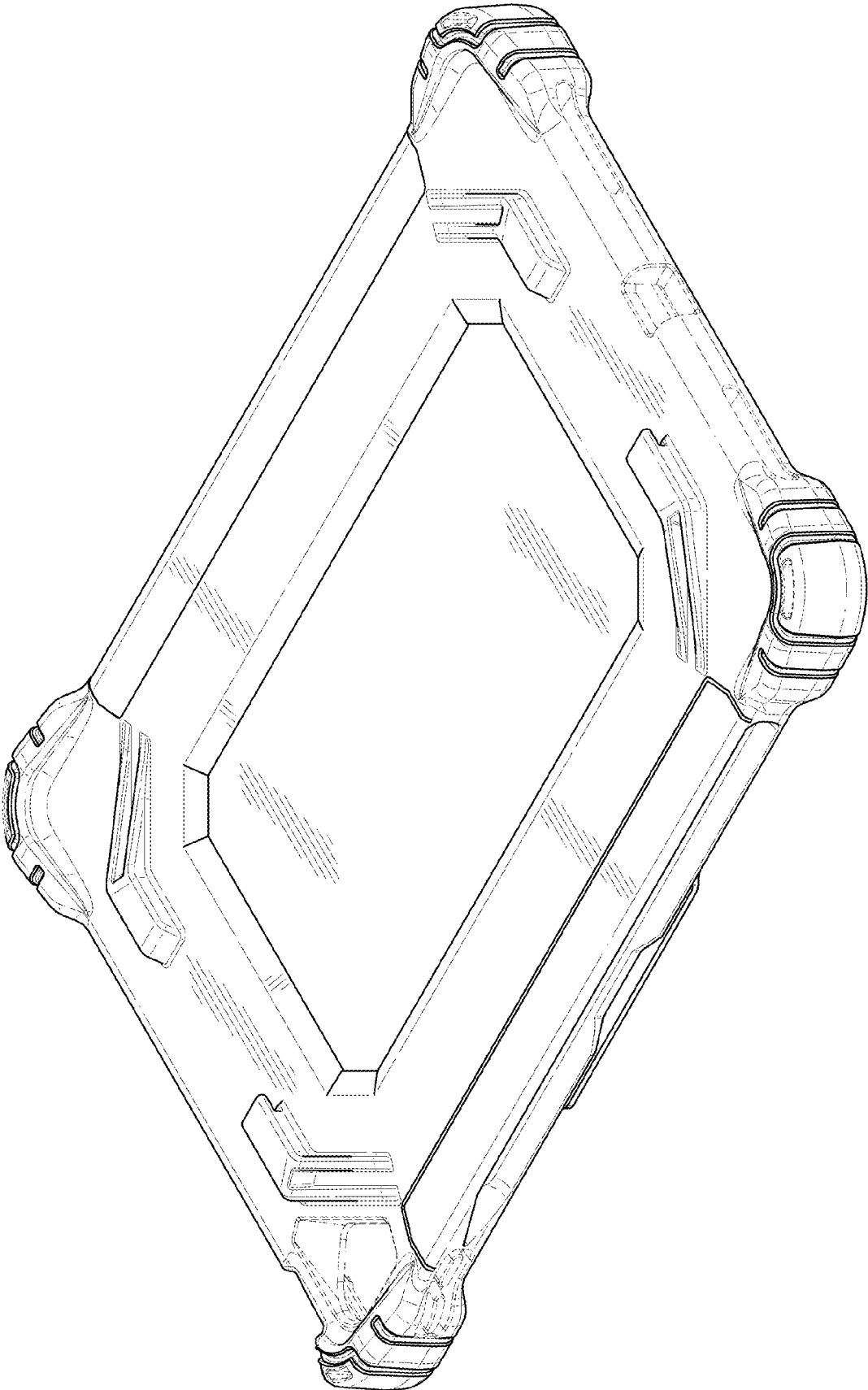


FIG. 1

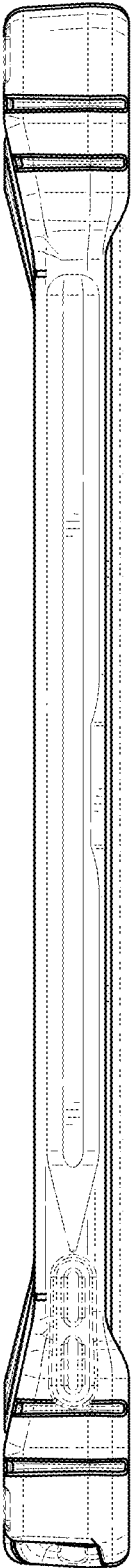


FIG. 2

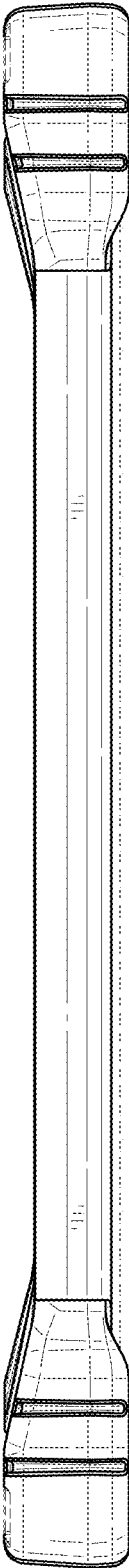


FIG. 3

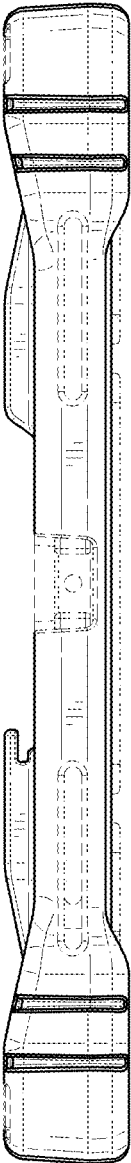


FIG. 4

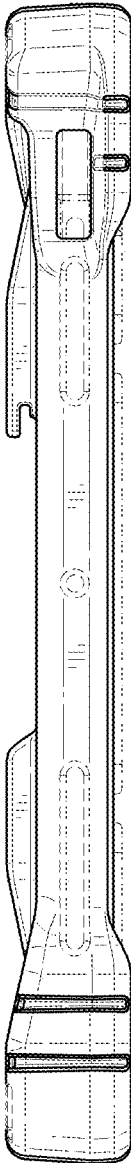


FIG. 5

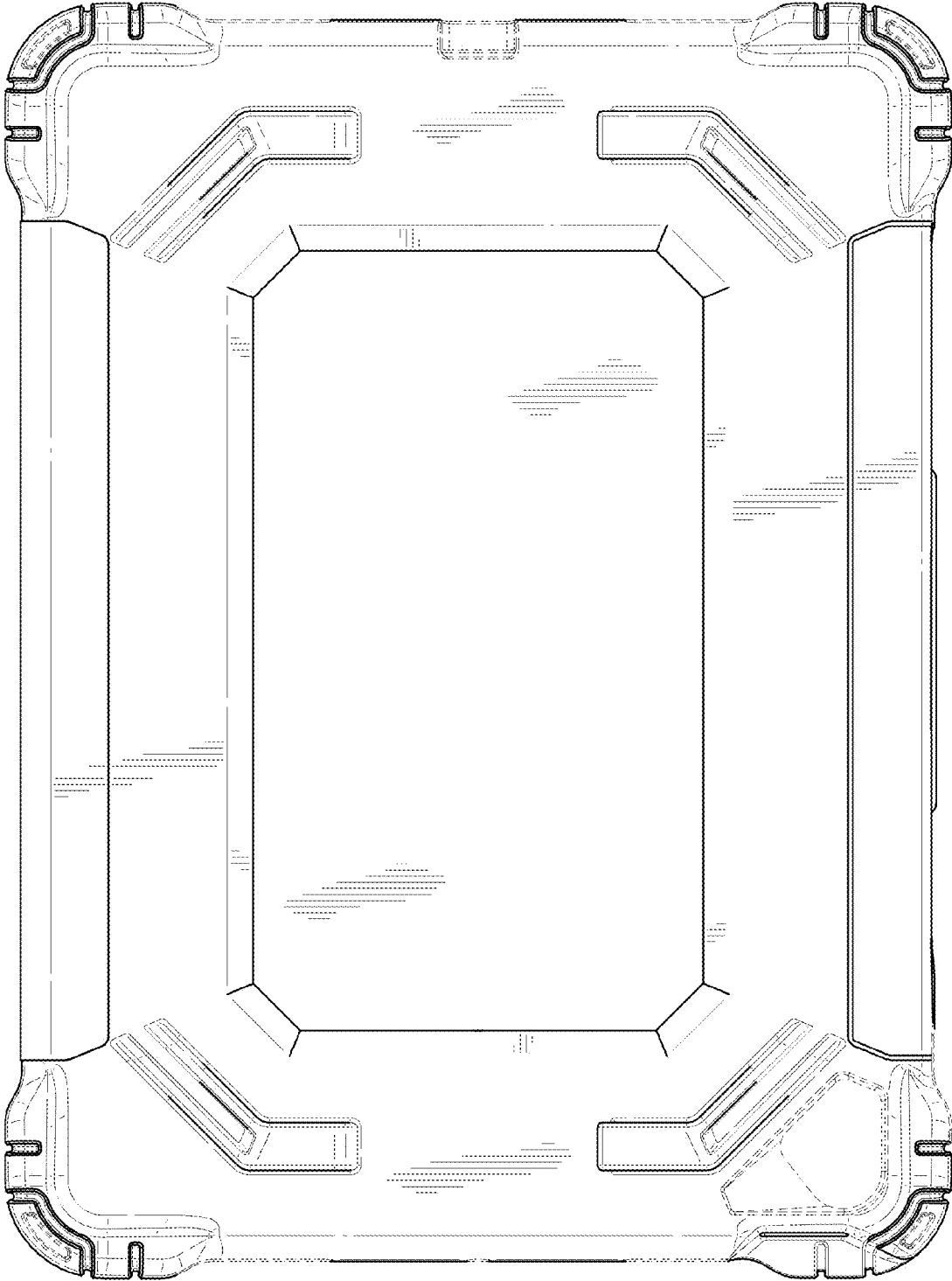


FIG. 6

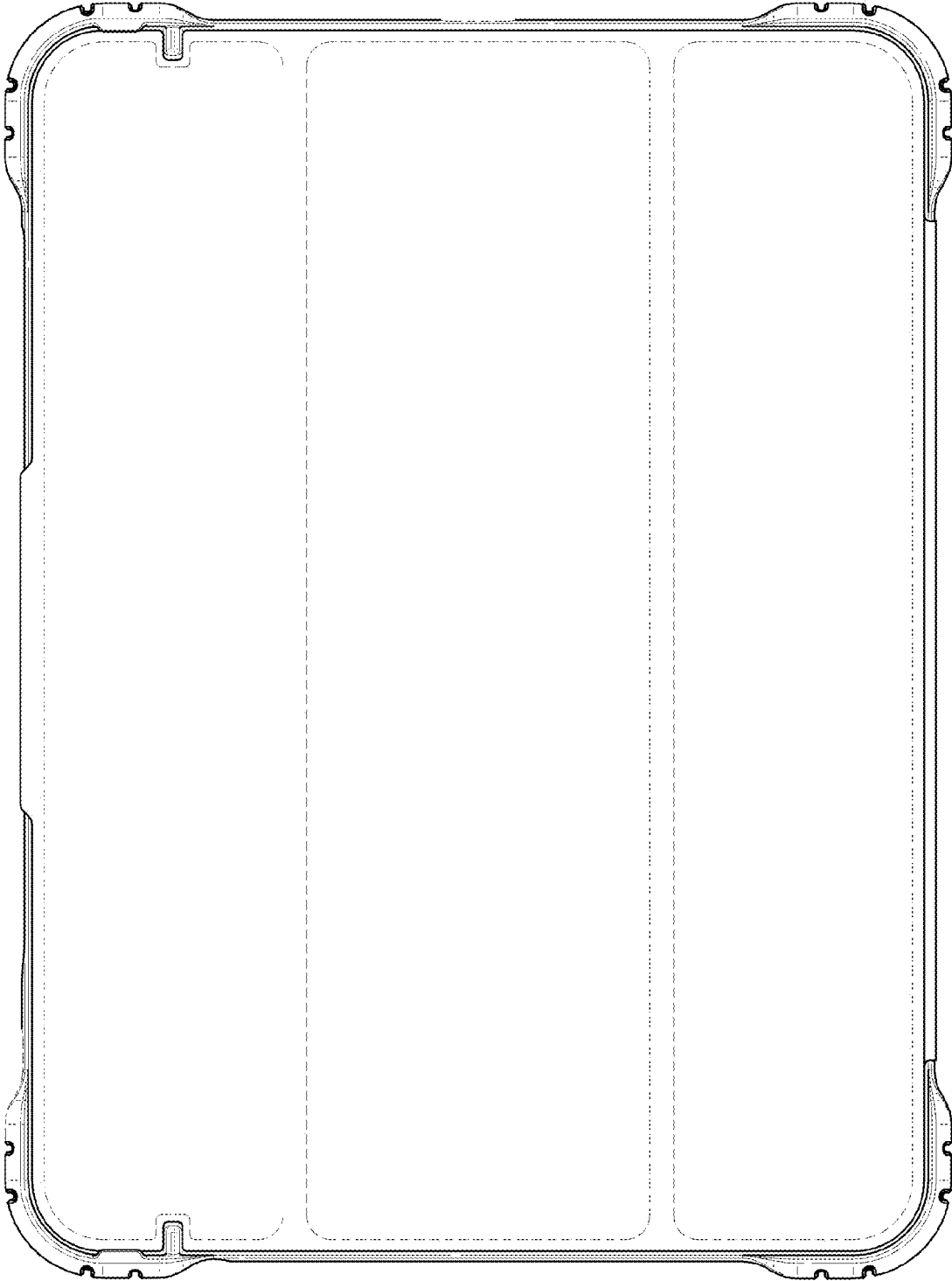


FIG. 7