



US00D687832S

(12) **United States Design Patent**  
**Edwards et al.**

(10) **Patent No.:** **US D687,832 S**

(45) **Date of Patent:** **\*\* Aug. 13, 2013**

(54) **STAND FOR TABLET COMPUTER**

(75) Inventors: **Troy Edwards**, Los Gatos, CA (US);  
**Lukas Skoog**, San Francisco, CA (US);  
**Amish Babu**, Mountain View, CA (US);  
**Robert Brunner**, San Francisco, CA  
(US); **Howard Nuk**, San Francisco, CA  
(US); **Timothy Leong Yew Tan**, San  
Francisco, CA (US); **Jonas Lagerstedt**,  
San Francisco, CA (US)

(73) Assignee: **Square, Inc.**, San Francisco, CA (US)

(\*\*) Term: **14 Years**

(21) Appl. No.: **29/418,631**

(22) Filed: **Apr. 18, 2012**

(51) **LOC (9) Cl.** ..... **08-07**

(52) **U.S. Cl.**  
USPC ..... **D14/447**

(58) **Field of Classification Search**

USPC ..... D14/447, 448, 451, 452, 440, 432,  
D14/434, 439, 457, 238.1, 217, 251, 252,  
D14/253, 239, 250; D6/406.3, 406.4, 406.5,  
D6/406.6; 361/679.09, 679.26, 679.27, 679.28,  
361/679.29, 679.3, 679.55, 679.56;  
248/917-924, 133, 136, 139, 150, 176.1,  
248/188.6, 288.31; D13/108

See application file for complete search history.

(56) **References Cited**

U.S. PATENT DOCUMENTS

D557,259 S \* 12/2007 Hirsch ..... D14/217

D639,286 S \* 6/2011 Mohoney ..... D14/250  
D650,783 S \* 12/2011 Ausfeld et al. .... D14/434  
D654,077 S \* 2/2012 Radin et al. .... D14/434  
D658,168 S \* 4/2012 Werth ..... D14/253  
D660,305 S \* 5/2012 Ho et al. .... D14/447  
D660,840 S \* 5/2012 Chen ..... D14/434  
D666,619 S \* 9/2012 May ..... D14/447  
8,282,060 B2 \* 10/2012 Fan ..... 248/291.1  
D670,703 S \* 11/2012 Hasbrook et al. .... D14/447  
D672,353 S \* 12/2012 Liu ..... D14/440  
2012/0075789 A1 \* 3/2012 DeCamp et al. .... 361/679.26  
2012/0106078 A1 \* 5/2012 Probst et al. .... 361/679.56

\* cited by examiner

*Primary Examiner* — Angela J Lee

(74) *Attorney, Agent, or Firm* — Fish & Richardson P.C.

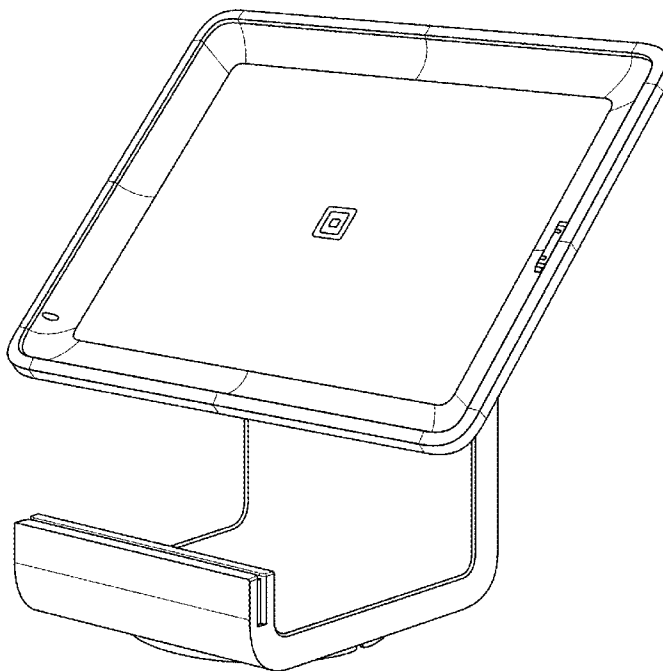
(57) **CLAIM**

The ornamental design for a stand for tablet computer, as shown and described.

**DESCRIPTION**

FIG. 1 is a front perspective view of the stand for tablet computer showing our new design;  
FIG. 2 is a back perspective view thereof;  
FIG. 3 is a front view thereof;  
FIG. 4 is a back view thereof;  
FIG. 5 is a right side view thereof;  
FIG. 6 is a left side view thereof;  
FIG. 7 is a top view thereof; and,  
FIG. 8 is a bottom view thereof.

**1 Claim, 5 Drawing Sheets**



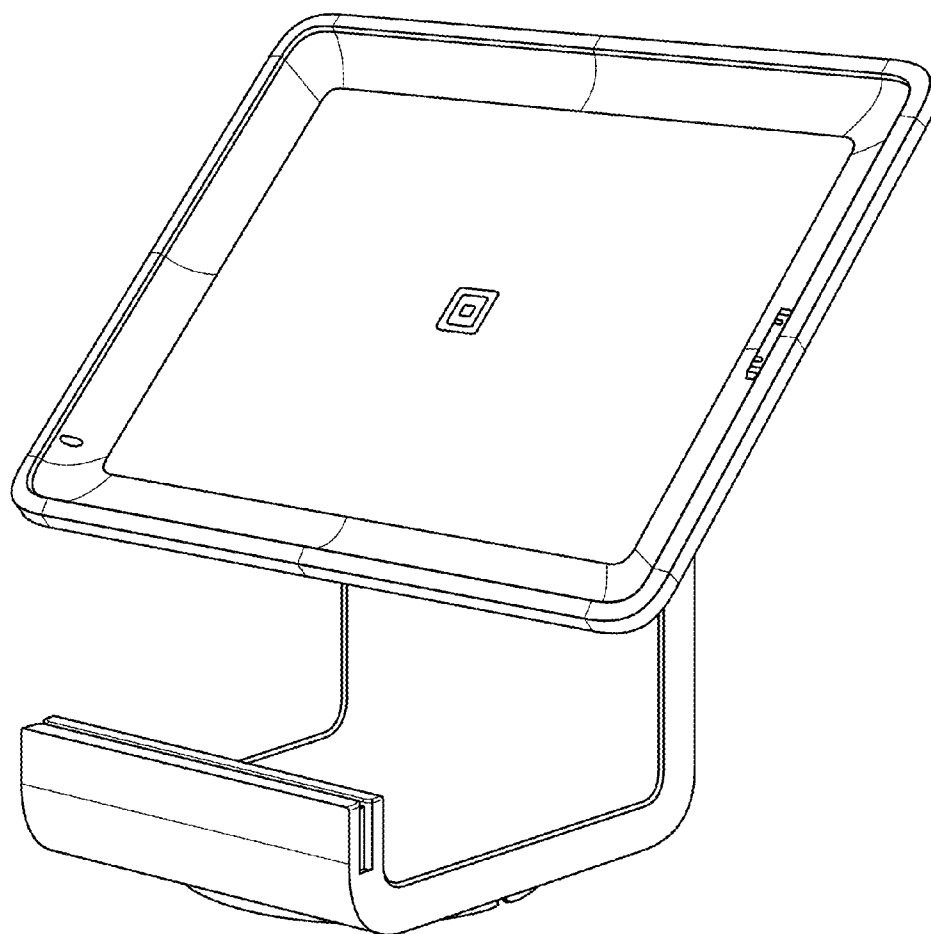


FIG. 1

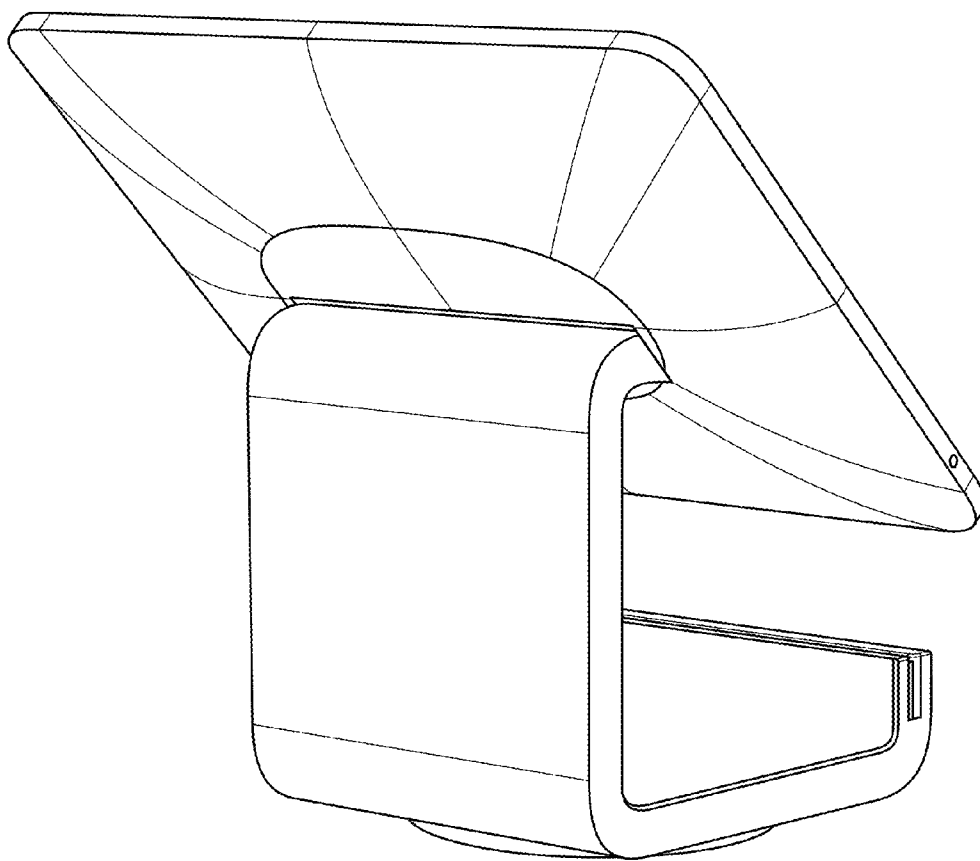


FIG. 2

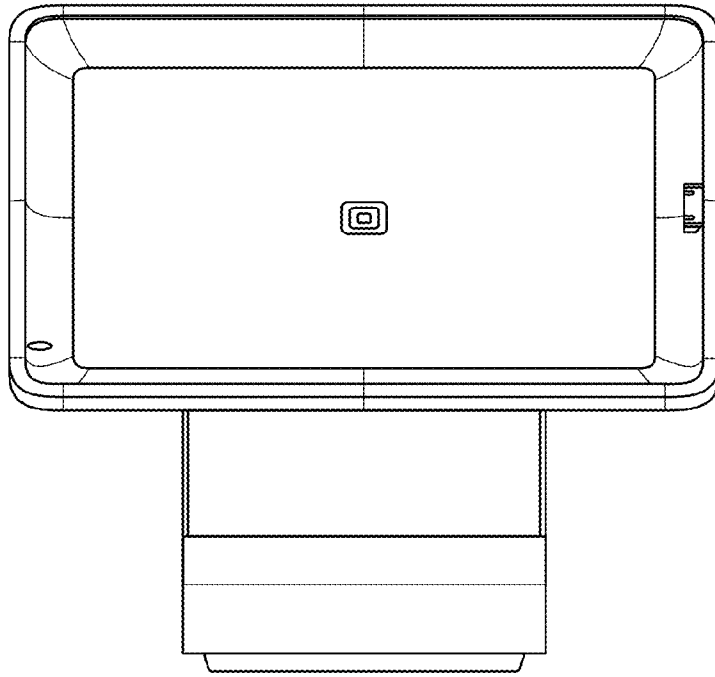


FIG. 3

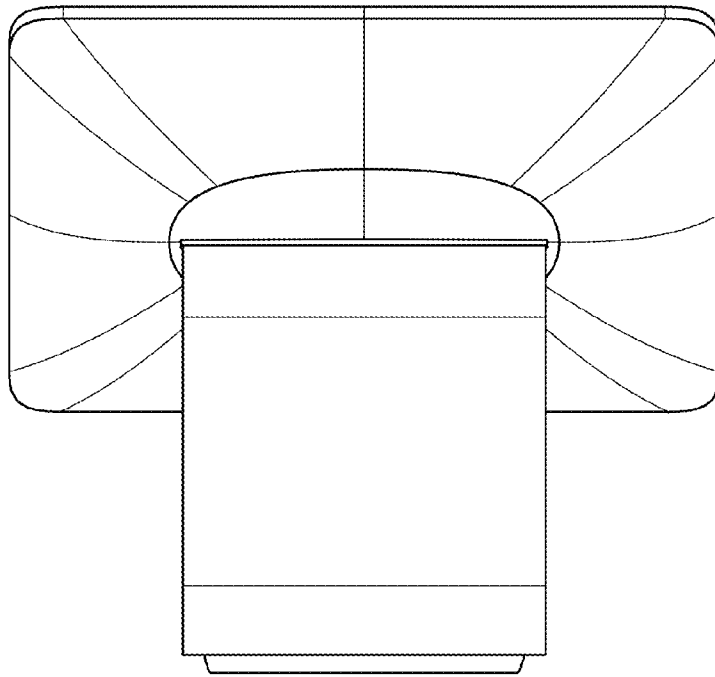


FIG. 4

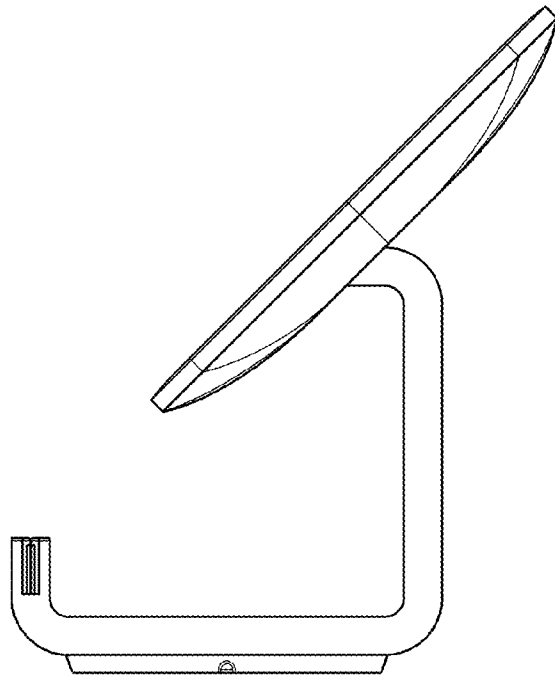


FIG. 5

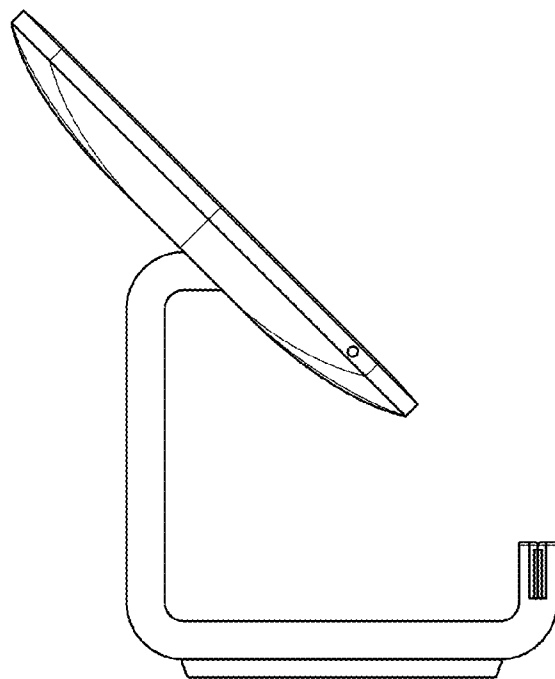


FIG. 6

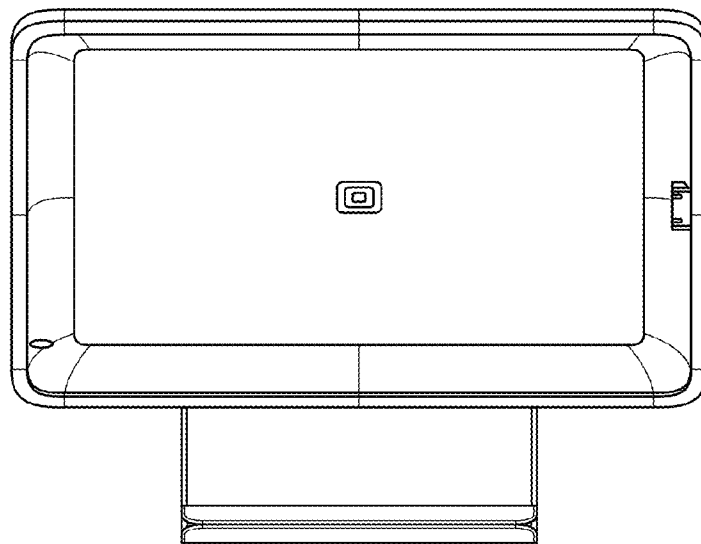


FIG. 7

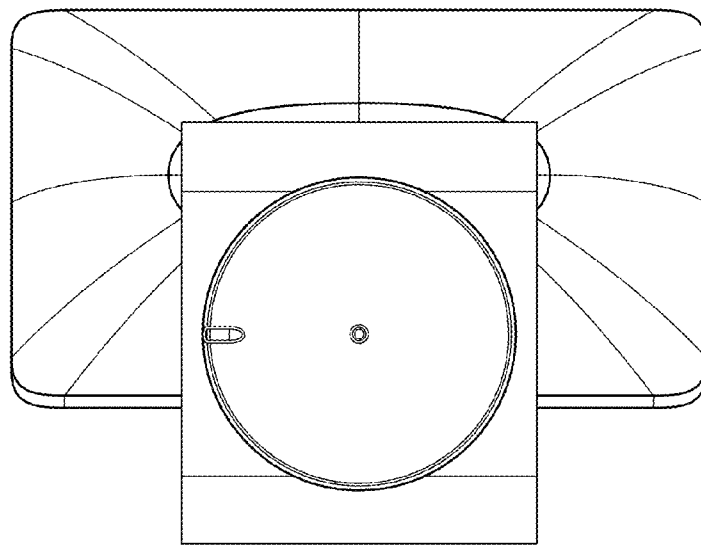


FIG. 8