

(19) World Intellectual Property Organization
International Bureau



(43) International Publication Date
4 October 2007 (04.10.2007)

PCT

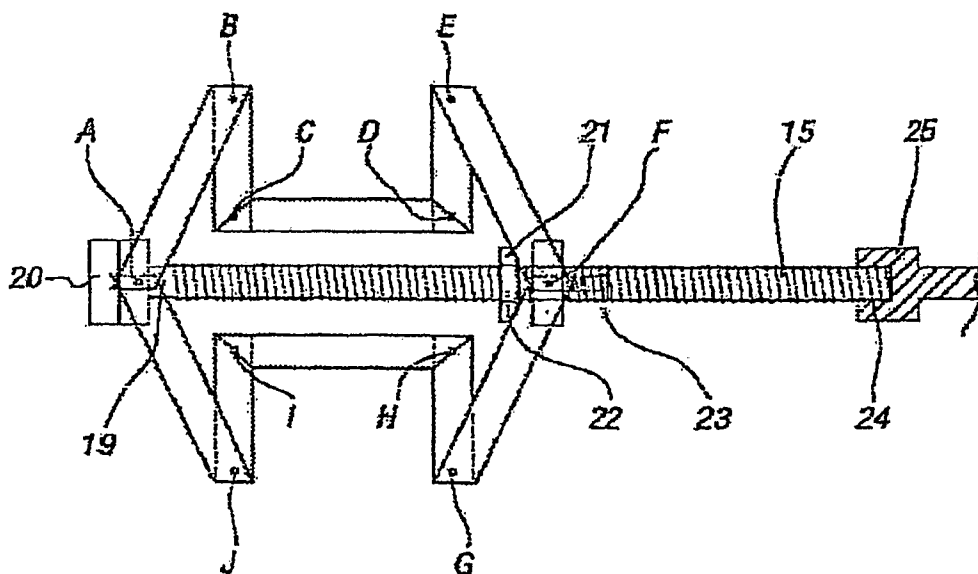
(10) International Publication Number
WO 2007/111979 A3

- (51) International Patent Classification:
A61F 2/44 (2006.01)
- (21) International Application Number:
PCT/US2007/007206
- (22) International Filing Date: 23 March 2007 (23.03.2007)
- (25) Filing Language: English
- (26) Publication Language: English
- (30) Priority Data:
0605960.4 24 March 2006 (24.03.2006) GB
- (71) Applicant (for all designated States except US): **EBI, L.P.** [US/US]; 100 Interpace Parkway, Parsippany, New Jersey 07054 (US).
- (72) Inventors; and
- (75) Inventors/Applicants (for US only): **GALLEY, Geoffrey Harrison** [GB/GB]; Red Lodge, The Close, Totteridge, London N20 8PJ (GB). **ALLIBONE, James Bernard** [GB/GB]; 17 The Avenue, Radlett, Herts WD7 7DQ (GB). **NOORDEEN, Mohammed Hamza Hilali** [GB/GB]; 42 Addison Rd., London W14 8JH (GB). **TAYLOR, Benjamin Anthony** [GB/GB]; Marshcroft Farm, Marshcroft Lane, Tring, Herts HP23 5QN (GB). **TUCKER, Stewart Kenneth** [GB/GB]; West Cottage, 21 Hampstead Lane, London N6 4RT (GB).
- (74) Agents: **OLSON, Stephen T.** et al.; Harness, Dickey & Pierce, P.L.c., P.O. Box 828, Bloomfield Hills, Michigan 48303 (US).
- (81) Designated States (unless otherwise indicated, for every kind of national protection available): AE, AG, AL, AM, AT, AU, AZ, BA, BB, BG, BH, BR, BW, BY, BZ, CA, CH, CN, CO, CR, CU, CZ, DE, DK, DM, DZ, EC, EE, EG, ES, FI, GB, GD, GE, GH, GM, GT, HN, HR, HU, ID, IL, IN, IS, JP, KE, KG, KM, KN, KP, KR, KZ, LA, LC, LK, LR, LS, LT, LU, LY, MA, MD, MG, MK, MN, MW, MX, MY, MZ, NA, NG, NI, NO, NZ, OM, PG, PH, PL, PT, RO, RS, RU, SC, SD, SE, SG, SK, SL, SM, SV, SY, TJ, TM, TN, TR, TT, TZ, UA, UG, US, UZ, VC, VN, ZA, ZM, ZW.
- (84) Designated States (unless otherwise indicated, for every kind of regional protection available): ARIPO (BW, GH, GM, KE, LS, MW, MZ, NA, SD, SL, SZ, TZ, UG, ZM, ZW), Eurasian (AM, AZ, BY, KG, KZ, MD, RU, TJ, TM), European (AT, BE, BG, CH, CY, CZ, DE, DK, EE, ES, FI, FR, GB, GR, HU, IE, IS, IT, LT, LU, LV, MC, MT, NL, PL, PT, RO, SE, SI, SK, TR), OAPI (BF, BJ, CF, CG, CI, CM, GA, GN, GQ, GW, ML, MR, NE, SN, TD, TG).

Declaration under Rule 4.17:
— of inventorship (Rule 4.17(iv))

[Continued on next page]

(54) Title: EXPANDABLE SPINAL PROSTHESIS



(57) Abstract: A device is disclosed for insertion in the human or animal body in order to increase the spacing between adjacent spinous processes of the spinal column. The device comprises a plurality of shaped members which are pivotally joined to each other and arranged around a central screwed rod which is supported by a collar at one end and a threaded collar at the opposite end said collar and collar being located within the pivoting axis of the adjacent members forming each end of the device. Following insertion in the body and positioning between adjacent spinous processes the device may be deployed by rotation of the central screwed rod in order to achieve the desired separation of adjacent spinous processes while at the same time providing a secure location of the device in the deployed condition.

WO 2007/111979 A3



Published:

- *with international search report*
- *before the expiration of the time limit for amending the claims and to be republished in the event of receipt of amendments*

(88) Date of publication of the international search report:
2 May 2008

INTERNATIONAL SEARCH REPORT

International application No.
PCT/US 07/07206

A. CLASSIFICATION OF SUBJECT MATTER
IPC(8) - A61F 2/44 (2008.01)
USPC - 623/17.11
According to International Patent Classification (IPC) or to both national classification and IPC

B. FIELDS SEARCHED

Minimum documentation searched (classification system followed by classification symbols)
IPC(8) - A61F 2/44 (2008.01)
USPC - 623/17.11, 17.16

Documentation searched other than minimum documentation to the extent that such documents are included in the fields searched
PUBWEST, GOOGLE SCHOLAR, GOOGLE PATENTS

Electronic data base consulted during the international search (name of data base and, where practicable, search terms used)
PUBWEST(PGPB,USPT,USOC,EPAB,JPAB): screw jack, scissor jack, telescoping, vertebrae, spinous process, pivot, hinge, screw, threaded, separate, spring, stop nut, predispose; GOOGLE SCHOLAR, GOOGLE PATENTS: screw jack, scissor jack, spinous process, vertebrae, predispose, bias, default, resting

C. DOCUMENTS CONSIDERED TO BE RELEVANT

Category*	Citation of document, with indication, where appropriate, of the relevant passages	Relevant to claim No.
X — Y	US 2005/0261769 A1 (Moskowitz et al.) 24 Nov 2005 (24.11.2005) paragraphs [0067] and [0079] and figures 11b1, 11b2, and 11b3	1 and 2 ----- 3
Y	US 5,553,919 A (Dennis) 10 Sep 1996 (10.09.1996) col 1, ln 59-63; col 4, ln 8-11; col 5, ln 6-12; and Fig 1	3
A	US 5,364,072 A (Engel) 15 Nov 1994 (15.11.1994) the whole document	1-3

Further documents are listed in the continuation of Box C.

* Special categories of cited documents:
 "A" document defining the general state of the art which is not considered to be of particular relevance
 "E" earlier application or patent but published on or after the international filing date
 "L" document which may throw doubts on priority claim(s) or which is cited to establish the publication date of another citation or other special reason (as specified)
 "O" document referring to an oral disclosure, use, exhibition or other means
 "P" document published prior to the international filing date but later than the priority date claimed
 "T" later document published after the international filing date or priority date and not in conflict with the application but cited to understand the principle or theory underlying the invention
 "X" document of particular relevance; the claimed invention cannot be considered novel or cannot be considered to involve an inventive step when the document is taken alone
 "Y" document of particular relevance; the claimed invention cannot be considered to involve an inventive step when the document is combined with one or more other such documents, such combination being obvious to a person skilled in the art
 "&" document member of the same patent family

Date of the actual completion of the international search 26 December 2007 (26.12.2007)	Date of mailing of the international search report 04 MAR 2008
--	--

Name and mailing address of the ISA/US Mail Stop PCT, Attn: ISA/US, Commissioner for Patents P.O. Box 1450, Alexandria, Virginia 22313-1450 Facsimile No. 571-273-3201	Authorized officer: Lee W. Young PCT Helpdesk: 571-272-4300 PCT OSP: 571-272-7774
---	--

INTERNATIONAL SEARCH REPORT

International application No.

PCT/US 07/07206

Box No. II Observations where certain claims were found unsearchable (Continuation of item 2 of first sheet)

This international search report has not been established in respect of certain claims under Article 17(2)(a) for the following reasons:

1. Claims Nos.:
because they relate to subject matter not required to be searched by this Authority, namely:

2. Claims Nos.:
because they relate to parts of the international application that do not comply with the prescribed requirements to such an extent that no meaningful international search can be carried out, specifically:

3. Claims Nos.: 4-11
because they are dependent claims and are not drafted in accordance with the second and third sentences of Rule 6.4(a).

Box No. III Observations where unity of invention is lacking (Continuation of item 3 of first sheet)

This International Searching Authority found multiple inventions in this international application, as follows:

1. As all required additional search fees were timely paid by the applicant, this international search report covers all searchable claims.
2. As all searchable claims could be searched without effort justifying additional fees, this Authority did not invite payment of additional fees.
3. As only some of the required additional search fees were timely paid by the applicant, this international search report covers only those claims for which fees were paid, specifically claims Nos.:

4. No required additional search fees were timely paid by the applicant. Consequently, this international search report is restricted to the invention first mentioned in the claims; it is covered by claims Nos.:

Remark on Protest

- The additional search fees were accompanied by the applicant's protest and, where applicable, the payment of a protest fee.
- The additional search fees were accompanied by the applicant's protest but the applicable protest fee was not paid within the time limit specified in the invitation.
- No protest accompanied the payment of additional search fees.