



US0D1001842S

(12) **United States Design Patent**
Schöffler et al.

(10) **Patent No.:** **US D1,001,842 S**

(45) **Date of Patent:** **** Oct. 17, 2023**

(54) **LASER CUTTING MACHINE**
(71) Applicant: **Precitec GmbH & Co. KG**, Gaggenau (DE)
(72) Inventors: **Dominik Schöffler**, Gaggenau (DE);
Bernd Waschilowsky, Gaggenau (DE);
Wu Xingjian, Gaggenau (DE)
(73) Assignee: **Precitec GmbH & Co. KG**, Gaggenau (DE)

D327,694 S * 7/1992 Tanaka D15/144
D523,044 S * 6/2006 Hartmann D15/144
D704,296 S * 5/2014 Cheng D22/109
D724,138 S * 3/2015 Amann D18/43
D729,339 S * 5/2015 Chavez D22/109
D746,405 S * 12/2015 Nemeyer D22/109
D749,184 S * 2/2016 Sakiewicz D22/108

(Continued)

(**) Term: **15 Years**
(21) Appl. No.: **35/514,678**

(22) Filed: **May 11, 2022**

(80) **Hague Agreement Data**

Int. Filing Date: **May 11, 2022**
Int. Reg. No.: **DM/221852**
Int. Reg. Date: **May 11, 2022**
Int. Reg. Pub. Date: **Jul. 8, 2022**

(30) **Foreign Application Priority Data**

Nov. 11, 2021 (WO) 008755821

(51) **LOC (14) Cl.** **15-02**

(52) **U.S. Cl.**
USPC **D15/7**

(58) **Field of Classification Search**

USPC ... D15/122, 127, 132, 139, 140, 144, 144.1,
D15/144.2; D8/98
CPC G03B 15/035; G03B 15/04; G03B 15/03;
G03B 2215/0542; G03B 17/02; G03B
17/04; G03B 17/08; G03B 17/56; G03B
17/568; G03B 17/10; G03B 19/04; B44B
3/02; B44B 3/009; B44B 3/061; B44C
1/228; B41M 5/24; B41M 5/26

See application file for complete search history.

(56) **References Cited**

U.S. PATENT DOCUMENTS

D281,168 S * 10/1985 Scholl D15/144
D298,833 S * 12/1988 Yang D15/127

OTHER PUBLICATIONS

Precitec, ProCutter Thunder, (site visited Nov. 22, 2022), Precitec Website, URL:<<https://www.precitec.com/laser-cutting/products/laser-cutting-head/procutter-thunder/>> (Year: 2022).*

Primary Examiner — Calvin E Vasant

Assistant Examiner — Mark T. Philipps

(74) *Attorney, Agent, or Firm* — Workman Nydegger

(57) **CLAIM**

The ornamental design for a laser cutting machine, as shown and described.

DESCRIPTION

1. Laser cutting machine

1.1 : Front

1.2 : Right perspective view

1.3 : Left perspective view

1.4 : Top perspective view

1.5 : Left

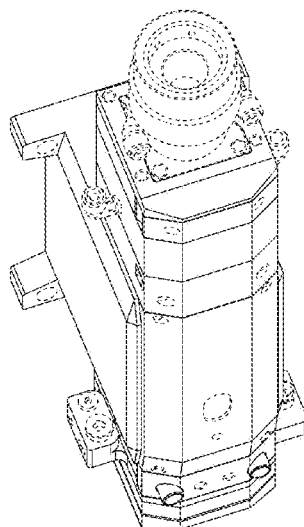
1.6 : Right

1.7 : Back

The present design corresponds to a laser cutting machine: **1.1** front view, **1.2** perspective view from right side, **1.3** perspective view from left side, **1.4** perspective view from top, **1.5** left side view, **1.6** right side view, **1.7** back view.

The broken lines represent portions of the laser cutting machine that form no part of the claimed design.

1 Claim, 7 Drawing Sheets



(56)

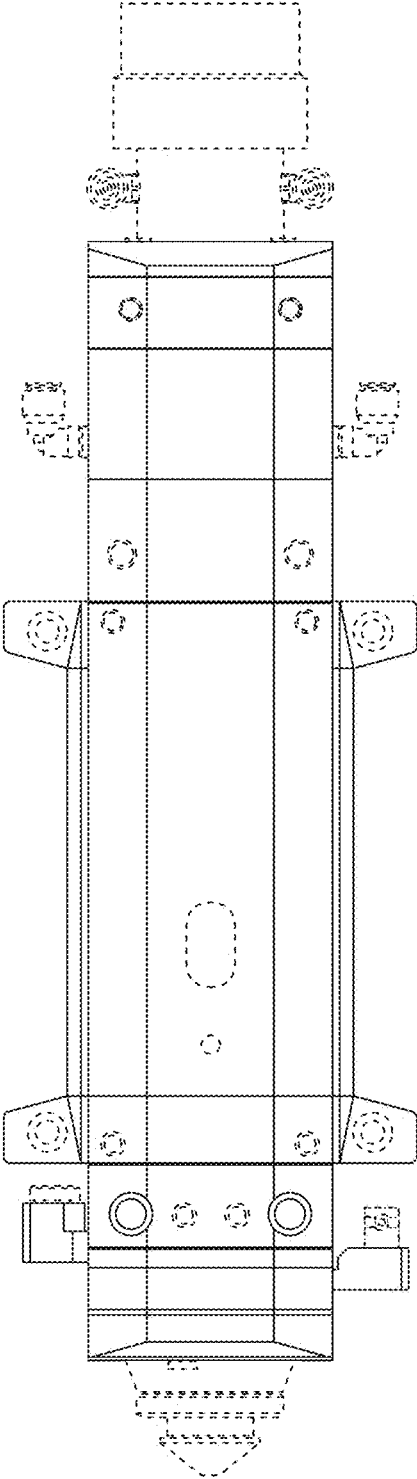
References Cited

U.S. PATENT DOCUMENTS

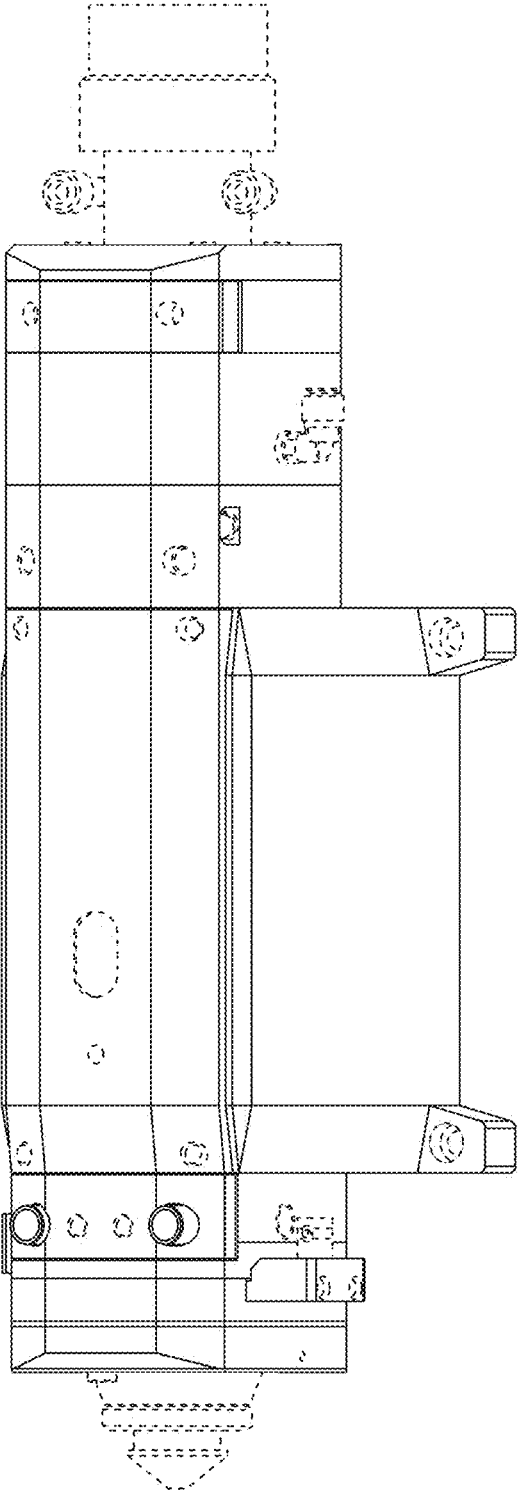
D749,689	S	*	2/2016	Cheng	D22/109
D759,157	S	*	6/2016	Williamson	D18/43
D763,333	S	*	8/2016	Baumert	D15/144
D823,306	S	*	7/2018	Riegl	D14/420
D841,112	S	*	2/2019	Shi	D22/109
D865,107	S	*	10/2019	Batten	D22/108
D868,875	S	*	12/2019	Guo	D16/221
D896,288	S	*	9/2020	Jiang	D15/127
D969,956	S	*	11/2022	Morgan	D22/108
2008/0092421	A1	*	4/2008	Beckmann	F41G 11/003 42/106

* cited by examiner

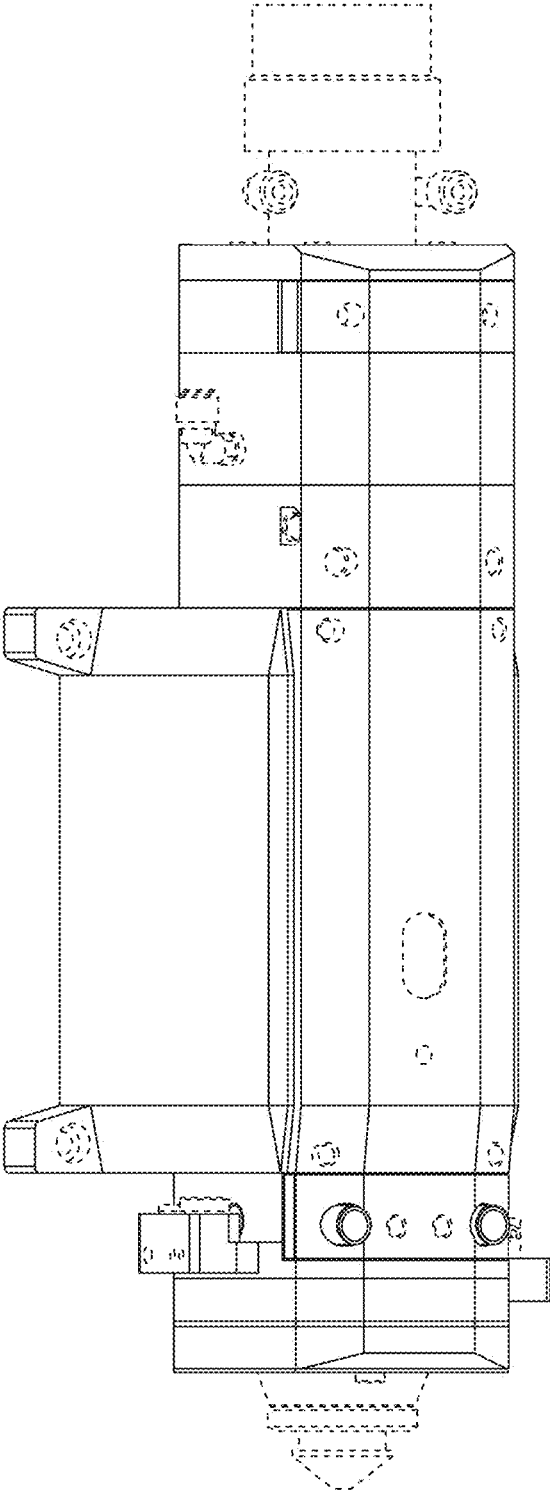
1.1



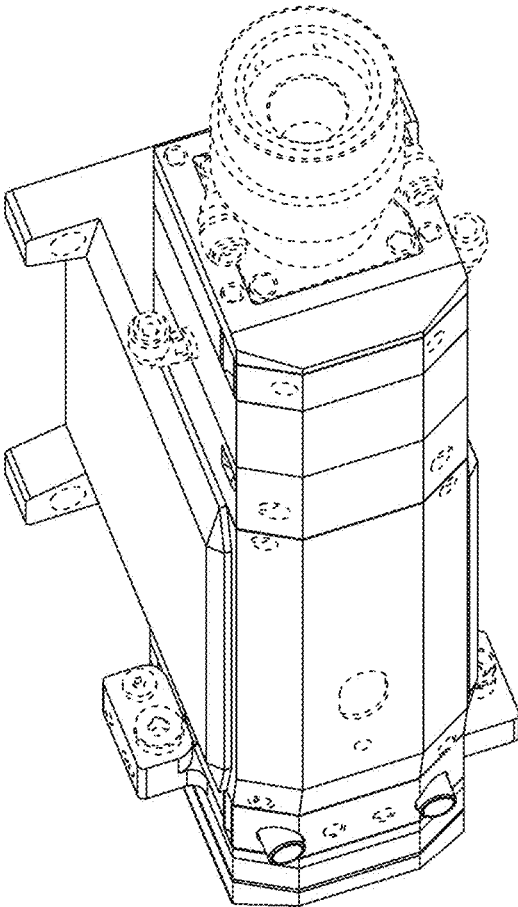
1.2



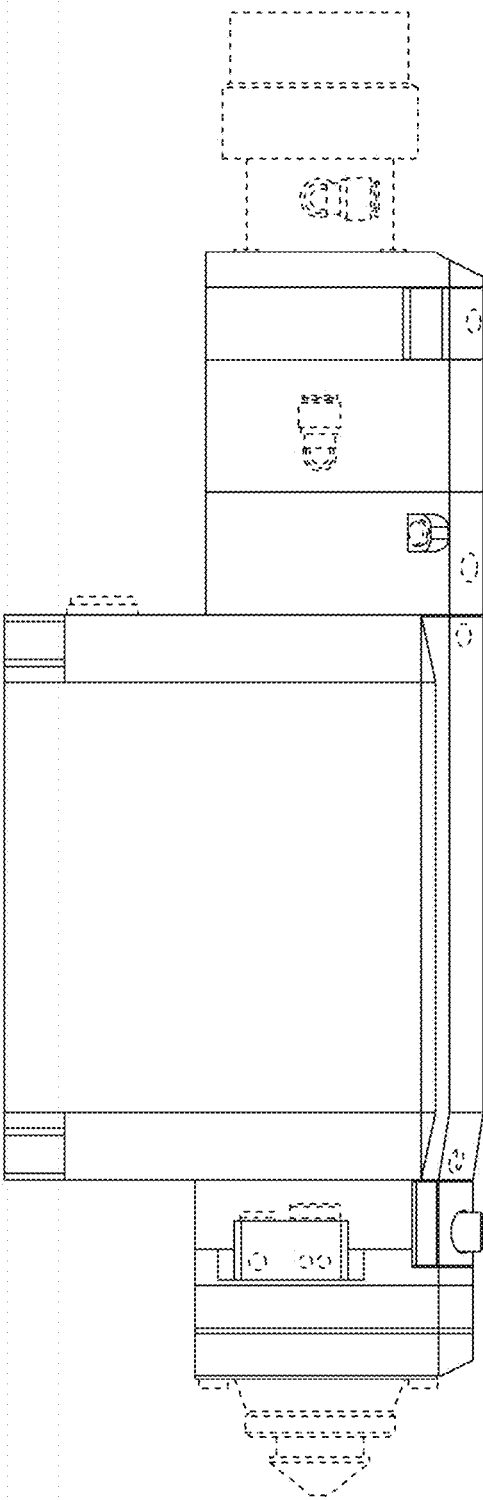
1.3



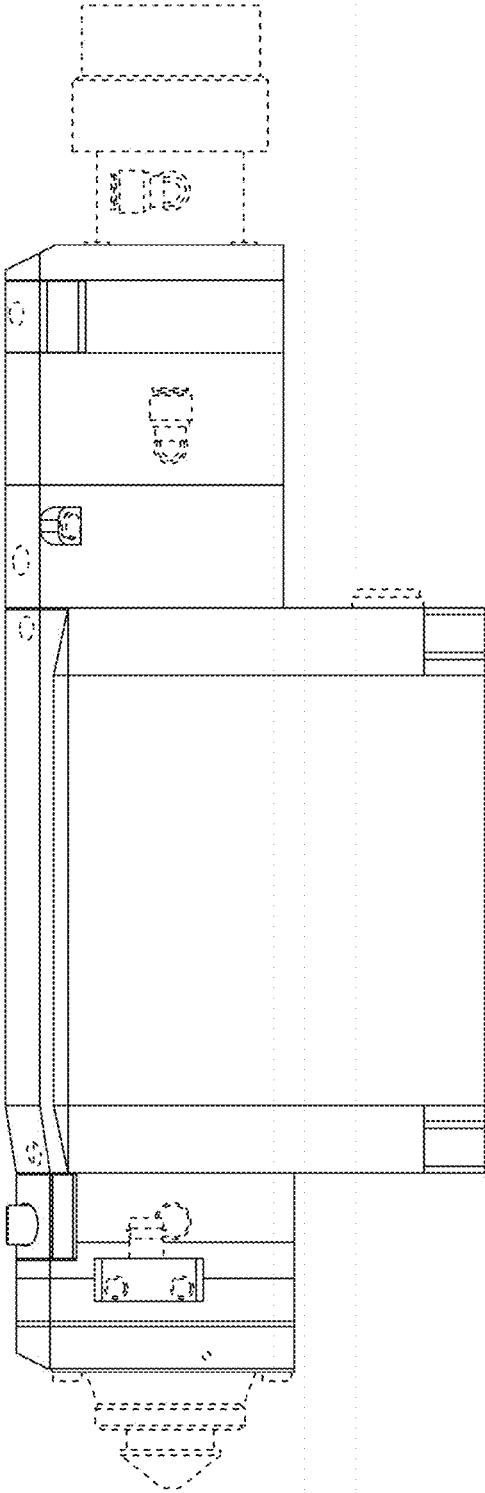
1.4



1.5



1.6



1.7

