



US00D906354S

(12) **United States Design Patent**  
**Chitalia et al.**

(10) **Patent No.:** **US D906,354 S**

(45) **Date of Patent:** **\*\* Dec. 29, 2020**

(54) **DISPLAY SCREEN WITH ANIMATED GRAPHICAL USER INTERFACE**

(71) Applicant: **Juniper Networks, Inc.**, Sunnyvale, CA (US)

(72) Inventors: **Harshit Naresh Chitalia**, Mountain View, CA (US); **Avi K. Patel**, San Jose, CA (US); **Parantap Roy**, Mountain View, CA (US); **Travis Gregory Newhouse**, Encinitas, CA (US); **Sumeet Singh**, Saratoga, CA (US)

(73) Assignee: **Juniper Networks, Inc.**, Sunnyvale, CA (US)

(\*\*) Term: **15 Years**

(21) Appl. No.: **29/737,342**

(22) Filed: **Jun. 8, 2020**

RE36,707 E *	5/2000	Papanicolaou	.....	H04L 12/2801
				348/14.04
6,137,499 A *	10/2000	Tesler	.....	G06T 11/206
				345/440
6,564,217 B2 *	5/2003	Bunney	.....	H04L 67/42
7,913,177 B1 *	3/2011	Smith	.....	G06F 9/44526
				715/762
8,004,525 B2 *	8/2011	Brinkmann	.....	G06T 11/206
				345/440
D681,656 S *	5/2013	Lawrence	.....	D14/486
D691,158 S *	10/2013	Ramesh	.....	D14/486
D691,626 S	10/2013	Philopoulos		
D693,831 S *	11/2013	Edwards	.....	D14/485
D716,332 S *	10/2014	Chotin	.....	D14/486
D731,510 S	6/2015	Kiruluta et al.		
9,075,515 B2 *	7/2015	Hong	.....	G06F 3/0488
D740,842 S *	10/2015	Liu	.....	D14/486
9,153,078 B2 *	10/2015	Fish	.....	G06F 3/048
D744,507 S	12/2015	Fujioka		
D748,126 S *	1/2016	Sarukkai	.....	D14/486
D750,120 S	2/2016	Kovacevic et al.		
D751,086 S	3/2016	Winther et al.		
D752,616 S *	3/2016	Kouvas	.....	D14/486
D753,167 S	4/2016	Yu et al.		
D753,168 S	4/2016	Chan et al.		
D756,371 S *	5/2016	Bertnick	.....	D14/485
D757,070 S	5/2016	Dziuba		
D757,071 S *	5/2016	Kouvas	.....	D14/486
D760,237 S	6/2016	Sabadash et al.		
D760,261 S	6/2016	Yu et al.		
D761,828 S	7/2016	Koeten et al.		
D763,890 S	8/2016	Pan		
D764,506 S	8/2016	Rathke et al.		
D765,120 S *	8/2016	Kim	.....	D14/486
D766,295 S	9/2016	Smith		
D767,600 S	9/2016	Dias et al.		
D767,609 S	9/2016	Mehrzad		
D768,169 S	10/2016	Binder et al.		
D768,183 S	10/2016	Steplyk et al.		
D770,503 S	11/2016	Wise		
D774,534 S *	12/2016	Takahashi	.....	D14/486
D775,635 S *	1/2017	Raji	.....	D14/485
D777,759 S	1/2017	LaBorde		
D779,514 S	2/2017	Baris et al.		
D780,203 S *	2/2017	Bray	.....	D14/486
D780,213 S *	2/2017	Hotchkiss	.....	D14/488
D781,302 S *	3/2017	Baguley	.....	D14/485
D781,320 S *	3/2017	Deshpande	.....	D14/486
D781,325 S	3/2017	Perry et al.		
D788,128 S	5/2017	Wada		
9,641,435 B1 *	5/2017	Sivaramakrishnan	.....	H04L 69/166
				345/440
D792,421 S *	7/2017	Day, II	.....	D14/485

**Related U.S. Application Data**

(60) Division of application No. 29/642,650, filed on Mar. 30, 2018, now Pat. No. Des. 886,834, which is a continuation of application No. 15/637,686, filed on Jun. 29, 2017, now Pat. No. 10,673,714.

(51) **LOC (12) Cl.** ..... **14-04**

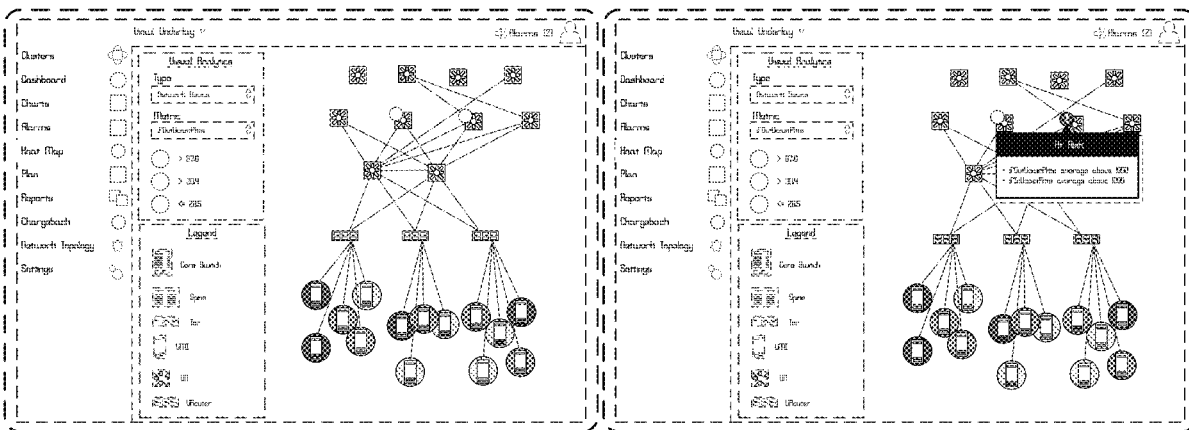
(52) **U.S. Cl.**  
USPC ..... **D14/485**

(58) **Field of Classification Search**  
USPC ..... D14/485-495  
CPC .... G06F 17/211; G06F 17/212; G06F 3/1251;  
G06F 3/0481; G06F 2203/04807  
See application file for complete search history.

**References Cited**

**U.S. PATENT DOCUMENTS**

5,444,837 A *	8/1995	Bomans	.....	G05D 1/0055
				345/440
5,515,487 A *	5/1996	Beudet	.....	G06T 11/206
				345/440



D799,537 S 10/2017 Lalor et al.  
D801,989 S 11/2017 Iketsuki et al.  
D803,231 S 11/2017 Guinness et al.  
D803,847 S 11/2017 Wu et al.  
D805,535 S \* 12/2017 Danielyan ..... D14/486  
D808,978 S \* 1/2018 Hazam ..... D14/485  
D809,544 S \* 2/2018 Ambielli ..... B33Y 40/00  
D14/486  
D809,560 S \* 2/2018 Alfonso ..... D14/492  
D810,100 S 2/2018 Govindan Sankar Selvan et al.  
D810,109 S \* 2/2018 Makowski ..... D14/486  
D810,121 S \* 2/2018 McClellan ..... D14/488  
D810,122 S \* 2/2018 McClellan ..... D14/488  
D813,248 S 3/2018 Burton et al.  
D814,483 S \* 4/2018 Gavaskar ..... D14/485  
D816,689 S \* 5/2018 Chalker ..... D14/485  
D817,976 S 5/2018 Shilwant et al.  
D818,474 S \* 5/2018 Kato ..... D14/485  
D818,475 S \* 5/2018 Yopez ..... D14/485  
D819,672 S \* 6/2018 Nakae ..... D14/486  
D822,678 S \* 7/2018 Wu ..... D14/485  
D822,701 S 7/2018 Leabman  
D823,324 S 7/2018 McGinn-Straub et al.  
D823,860 S 7/2018 Wiffen et al.  
D825,589 S 8/2018 Sparandara et al.  
D828,391 S \* 9/2018 Cabot ..... D14/489  
D830,382 S 10/2018 Marohn  
D834,039 S \* 11/2018 Einspahr ..... D14/485  
D836,120 S \* 12/2018 Dudev ..... D14/486  
D836,652 S \* 12/2018 Fowler ..... D14/486  
D837,242 S 1/2019 Kuo et al.  
D840,412 S \* 2/2019 Donini ..... D14/485  
D840,421 S \* 2/2019 Chalker ..... D14/485  
D841,663 S \* 2/2019 Yuguchi ..... D14/485  
D841,665 S \* 2/2019 Matheson ..... D14/485  
D841,675 S 2/2019 Hoffman et al.  
D842,313 S \* 3/2019 Kagan ..... D14/485  
D842,314 S 3/2019 Govindan Sankar Selvan et al.  
D842,319 S \* 3/2019 Kawaichi ..... D14/486  
D842,322 S 3/2019 Torrento et al.  
D843,386 S 3/2019 Shewman  
D843,387 S \* 3/2019 Yuguchi ..... D14/485  
D844,634 S \* 4/2019 Roberts ..... D14/485  
D847,181 S \* 4/2019 Hurst ..... D14/486  
D847,201 S \* 4/2019 Thiel ..... D14/488  
D849,047 S \* 5/2019 Thiel ..... D14/488  
D849,050 S \* 5/2019 Clymer ..... D14/492  
D851,112 S \* 6/2019 Papolu ..... D14/486  
D854,560 S \* 7/2019 Field ..... D14/486  
D859,433 S \* 9/2019 Kim ..... D14/485  
D866,588 S \* 11/2019 Agarwal ..... D14/486  
D872,121 S \* 1/2020 Einspahr ..... D14/488  
D876,445 S \* 2/2020 Ting ..... D14/485  
D881,936 S \* 4/2020 Meixner ..... D14/488  
D883,997 S \* 5/2020 Einspahr ..... D14/485  
D884,024 S \* 5/2020 Kwiatkowski ..... D14/489  
D884,726 S \* 5/2020 Regev ..... D14/486  
D885,413 S \* 5/2020 Ramkumar ..... D14/486  
D885,419 S \* 5/2020 Argo ..... D14/486  
D886,834 S \* 6/2020 Chitalia ..... H04L 43/0876  
D14/485  
D888,737 S \* 6/2020 Punzalan ..... D14/486  
D888,740 S \* 6/2020 Loychik ..... D14/486  
10,673,714 B1 \* 6/2020 Chitalia ..... H04L 43/06  
D889,506 S \* 7/2020 Kanauchi ..... D14/488  
D890,781 S \* 7/2020 Daus ..... D14/485  
D891,458 S \* 7/2020 Clymer ..... D14/487  
2002/0152305 A1 10/2002 Jackson et al.  
2003/0018643 A1 1/2003 Mi et al.  
2003/0225876 A1 12/2003 Oliver et al.  
2008/0297513 A1 \* 12/2008 Greenhill ..... G05B 19/4183  
345/440  
2009/0228832 A1 \* 9/2009 Cheng ..... G06F 3/0482  
715/810  
2010/0023865 A1 \* 1/2010 Fulker ..... H04L 12/2809  
715/734  
2011/0234595 A1 \* 9/2011 Poston ..... G06F 3/04812  
345/440  
2014/0297835 A1 10/2014 Buys et al.

2015/0169500 A1 6/2015 Balinsky et al.  
2017/0104658 A1 4/2017 Sykes et al.  
2017/0185278 A1 \* 6/2017 Sundermeyer ... G08B 13/19682  
2018/0089272 A1 3/2018 Bath et al.  
2018/0091392 A1 3/2018 Richards et al.  
2018/0109429 A1 4/2018 Gupta et al.  
2020/0077483 A1 \* 3/2020 Agarwal ..... G05B 15/02

FOREIGN PATENT DOCUMENTS

WO 2013/184846 A1 12/2013

OTHER PUBLICATIONS

Hopps, "Analysis of an Equal-Cost Multi-Path Algorithm," RFC 2992, Network Working Group, Nov. 2000, 8 pp.  
Stahl et al., "Performance and Capacity Themes for Cloud Computing," International Technical Support Organization, IBM, Red Paper, Mar. 2013, 76 pp.  
Mallick et al., "A Resource Prediction Model for Virtualization Servers," Laboratory for Algorithmics, Complexity and Logic (LACL), University of Paris-Est Creteil (UPEC), Dec. 2011, 25 pp.  
Prosecution History from U.S. Appl. No. 29/642,650, dated Apr. 11, 2018 through Apr. 15, 2020, 99 pp.  
U.S. Appl. No. 29/737,333, filed Jun. 8, 2020, naming inventors Chitalia et al.  
U.S. Appl. No. 29/737,334, filed Jun. 8, 2020, naming inventors Chitalia et al.  
U.S. Appl. No. 29/737,340, filed Jun. 8, 2020, naming inventors Chitalia et al.  
U.S. Appl. No. 29/737,345, filed Jun. 8, 2020, naming inventors Chitalia et al.  
Notice of Allowance from U.S. Appl. No. 29/737,333, dated Aug. 10, 2020, 7 pp.  
Notice of Allowance from U.S. Appl. No. 29/737,334, dated Aug. 13, 2020, 7 pp.  
Notice of Allowance from U.S. Appl. No. 29/737,340, dated Aug. 10, 2020, 7 pp.  
Notice of Allowance from U.S. Appl. No. 29/737,345, dated Aug. 11, 2020, 7 pp.

\* cited by examiner

Primary Examiner — Daniel J Domino  
(74) Attorney, Agent, or Firm — Shumaker & Sieffert, P.A.

(57) CLAIM

The ornamental design for a display screen with animated graphical user interface, as shown and described.

DESCRIPTION

FIG. 1 is a first image in a sequence of a display screen or portions thereof with animated graphical user interface showing our new design according to a first embodiment; FIG. 2 is second image thereof;  
FIG. 3 is a first image in a sequence of a display screen or portions thereof with animated graphical user interface showing our new design according to a second embodiment; and, FIG. 4 is a second image thereof.  
The outermost broken lines showing a display device illustrate environmental subject matter, whereas the broken lines showing a display screen and elements of the animated graphical user interface illustrate portions of the article. No subject matter depicted in broken lines forms part of the claimed design.

Grey shading, patterning, or the appearance thereof included in at least the claimed portions of FIGS. 1-4 are illustrative of contrast, and are not representative of any particular color, shade, or patterning.

The appearance of the animated graphical user interface sequentially transitions between the images shown in FIGS. 1-2 and 3-4. The process or period in which one image transitions to another image forms no part of the claimed design.

**1 Claim, 4 Drawing Sheets**

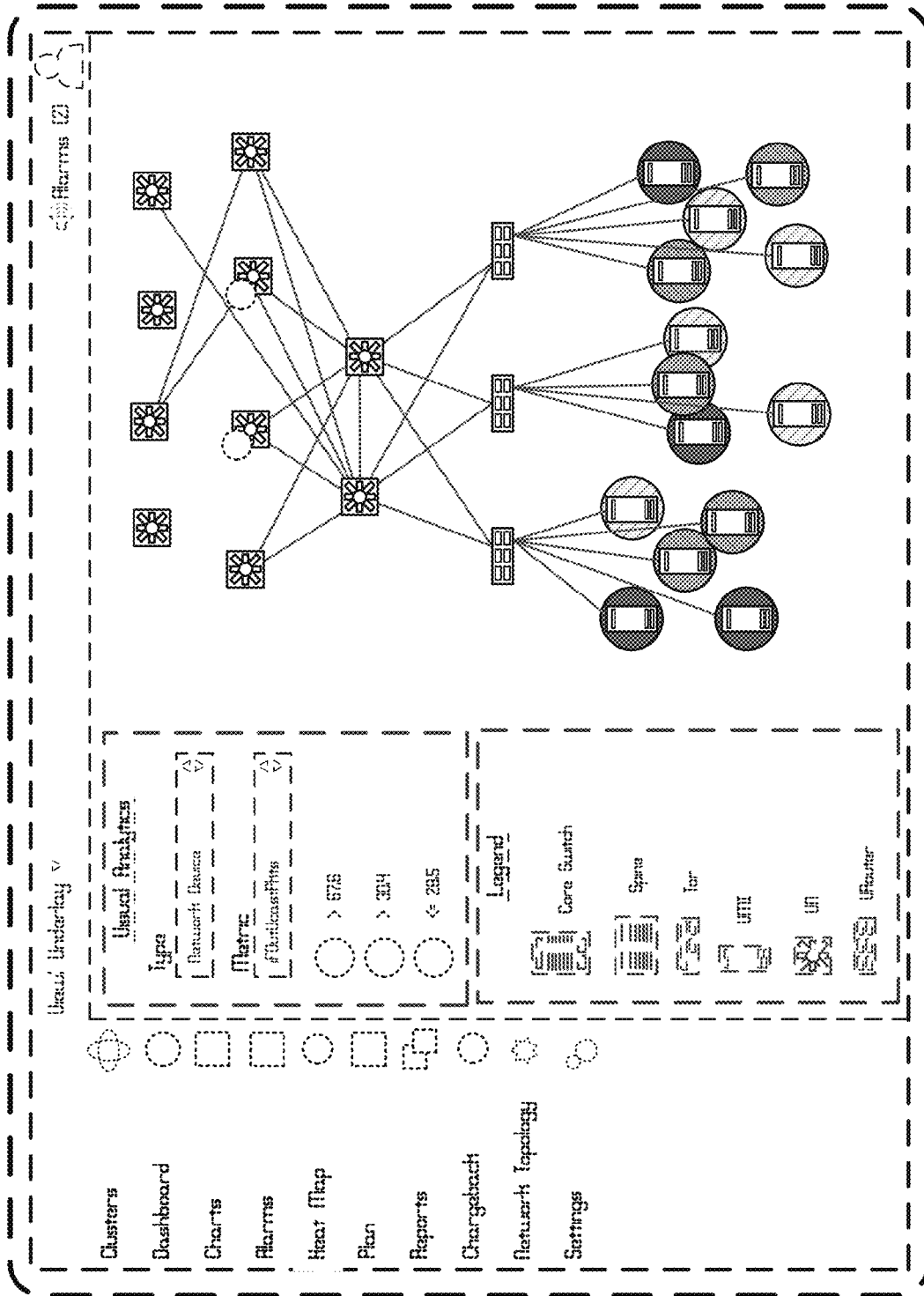


FIG. 1

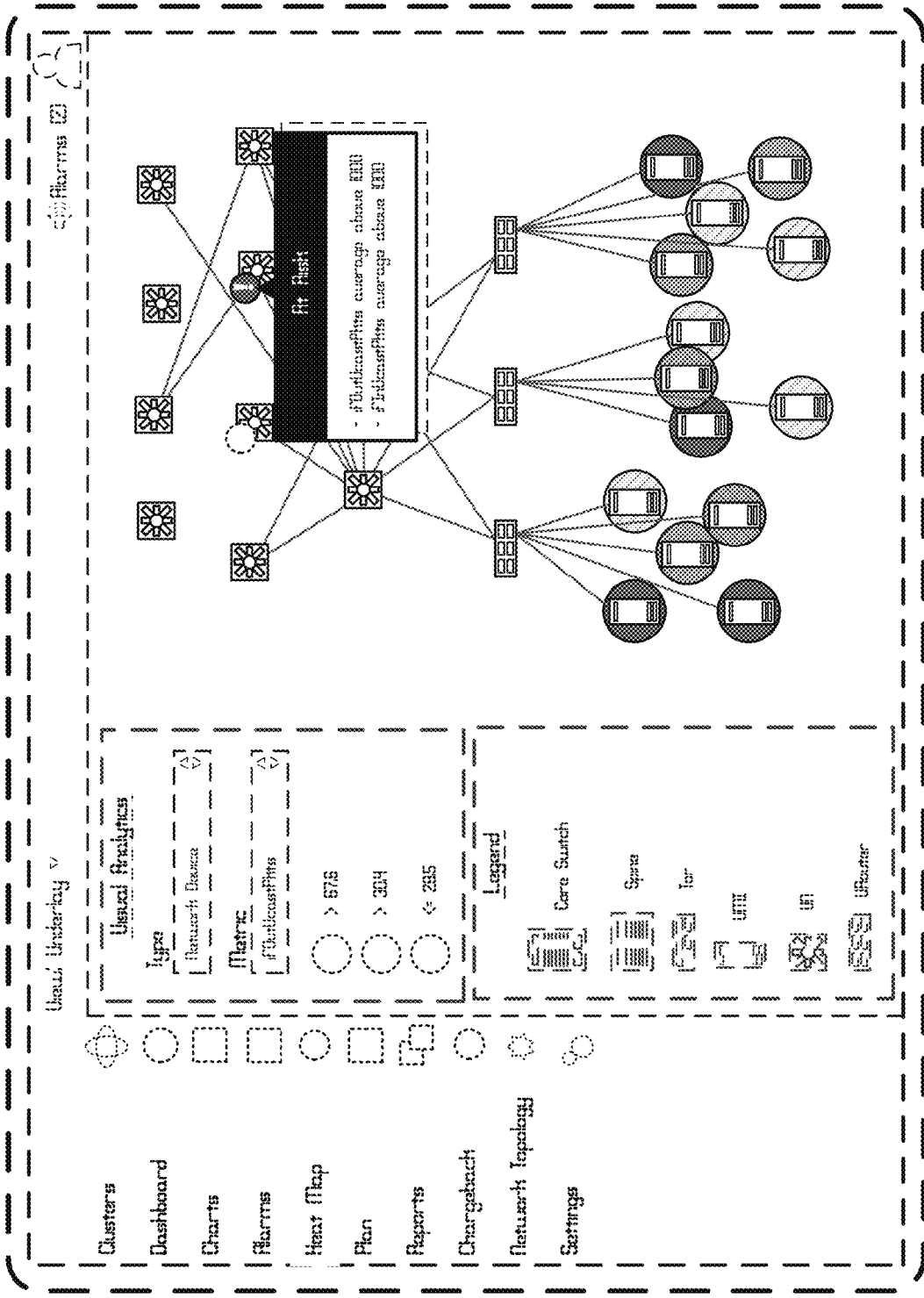


FIG. 2

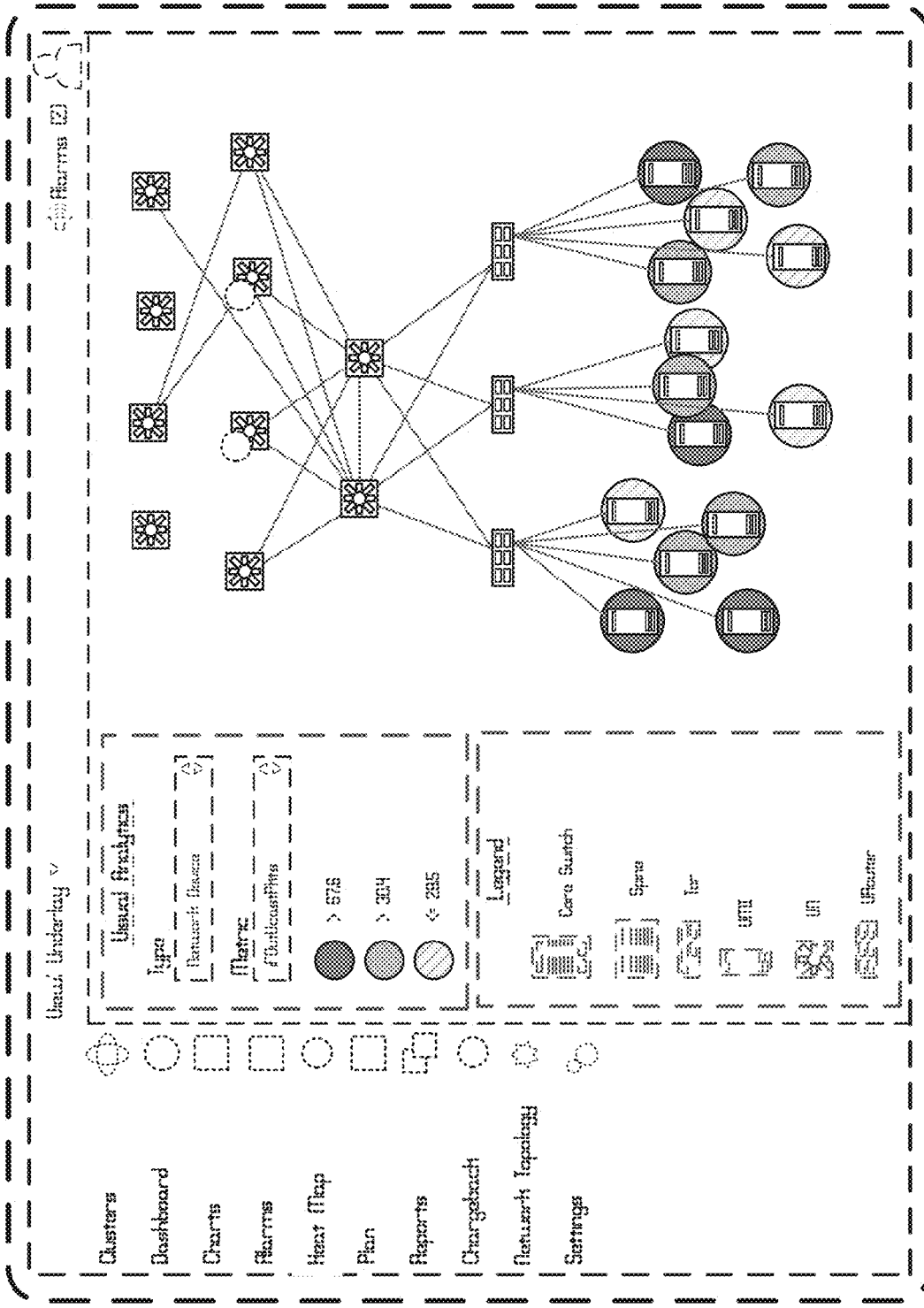


FIG. 3

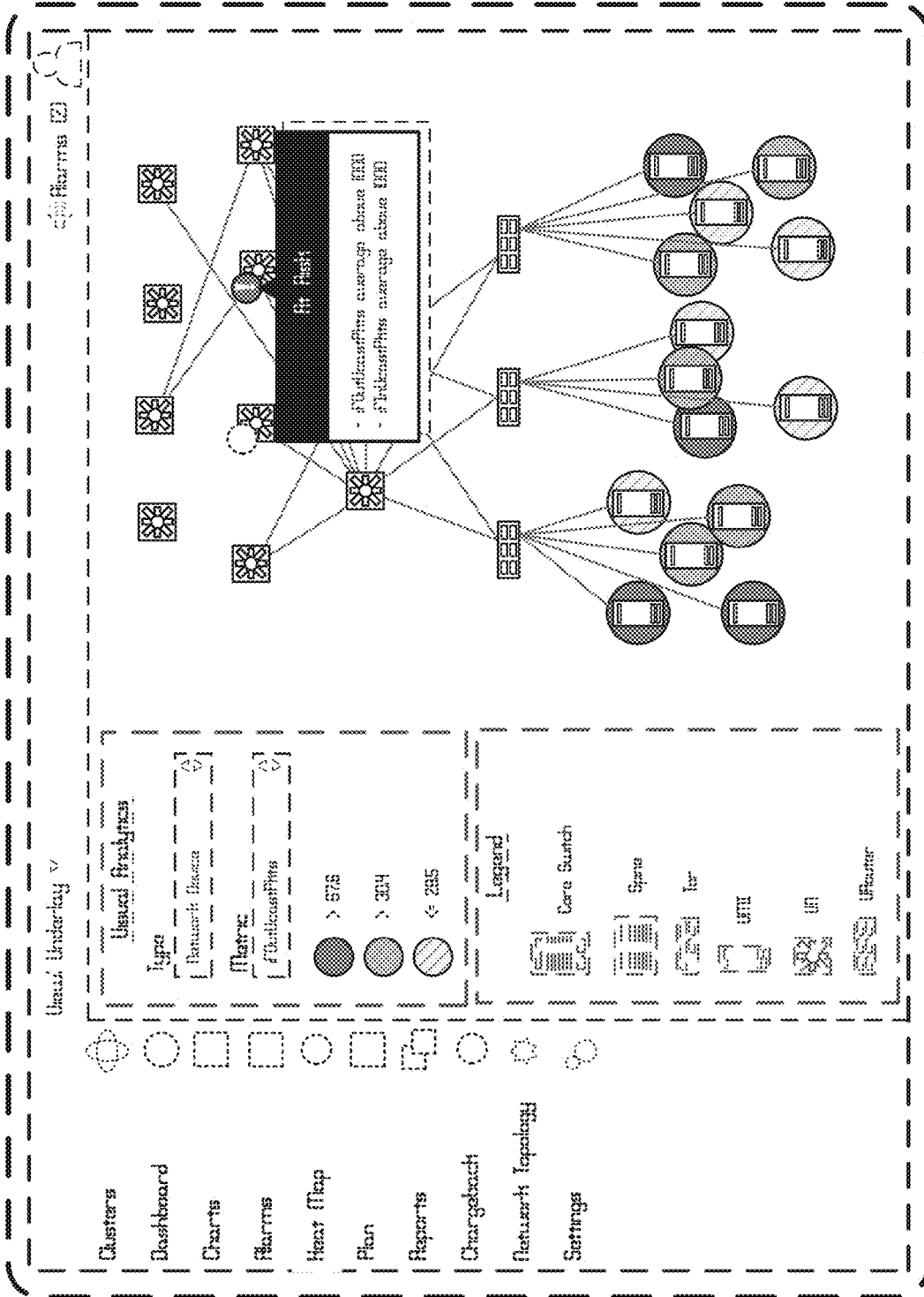


FIG. 4