



US00D653802S

(12) **United States Design Patent**  
**Kaljura**

(10) **Patent No.:** **US D653,802 S**

(45) **Date of Patent:** **\*\* Feb. 7, 2012**

- (54) **SMOKING ARTICLE**
- (75) Inventor: **Karl Kaljura**, Southampton (GB)
- (73) Assignee: **British American Tobacco (Investments) Limited**, London (GB)
- (\*\*) Term: **14 Years**
- (21) Appl. No.: **29/356,613**
- (22) Filed: **Mar. 1, 2010**

**Related U.S. Application Data**

- (62) Division of application No. 29/303,173, filed on Feb. 1, 2008, now Pat. No. Des. 613,902.

**Foreign Application Priority Data**

- Aug. 10, 2007 (EM) ..... 000778220
- (51) **LOC (9) Cl.** ..... **27-01**
- (52) **U.S. Cl.** ..... **D27/101**
- (58) **Field of Classification Search** ..... D27/100-101;  
131/88-95, 360-365  
See application file for complete search history.

**References Cited**

**U.S. PATENT DOCUMENTS**

2,584,060	A	1/1952	Stephano	
D229,788	S *	1/1974	Berger	D27/101
D229,789	S *	1/1974	Berger	D27/101
D229,790	S	1/1974	Berger	

4,552,158	A *	11/1985	Berger	131/94
4,995,407	A	2/1991	Kossiakoff et al.	
5,044,381	A	9/1991	Thomas	
D453,854	S *	2/2002	Verhoeven-Koster	D27/101
2008/0029106	A1	2/2008	Mishra et al.	
2008/0115794	A1	5/2008	Oglesby	
2008/0156336	A1*	7/2008	Wyss-Peters et al.	131/88
2008/0173320	A1	7/2008	Dunlap et al.	
2008/0202542	A1	8/2008	Hampl et al.	

**FOREIGN PATENT DOCUMENTS**

JP 02-46585 3/1990

\* cited by examiner

*Primary Examiner* — Jennifer Rivard

(74) *Attorney, Agent, or Firm* — Chadbourne & Parke LLP;  
Walter G. Hanchuk

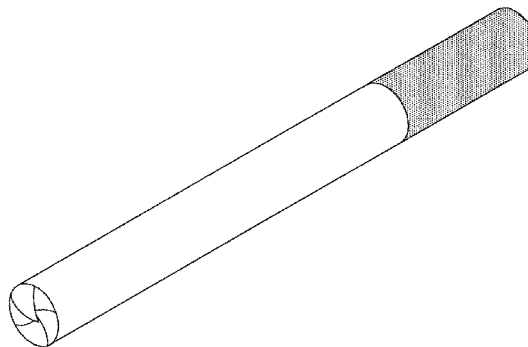
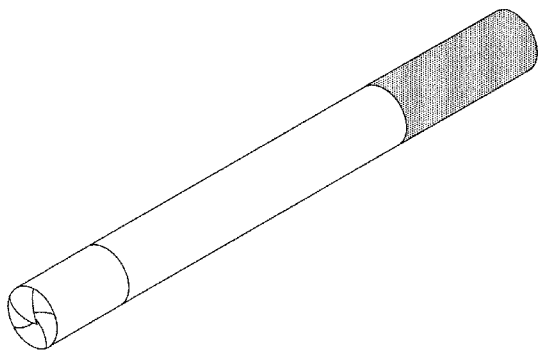
**CLAIM**

(57) The ornamental design for a smoking article, as shown and described.

**DESCRIPTION**

FIG. 1 is a left end, perspective view of the smoking article showing the design of the disclosed invention;  
 FIG. 2 is a plan view thereof, the opposite plan view being a mirror image;  
 FIG. 3 is a left end view thereof;  
 FIG. 4 is a left end, perspective view of a second embodiment of the smoking article;  
 FIG. 5 is a plan view of the second embodiment thereof, the opposite plan view being a mirror image; and,  
 FIG. 6 is a left end view of the second embodiment thereof.

**1 Claim, 4 Drawing Sheets**



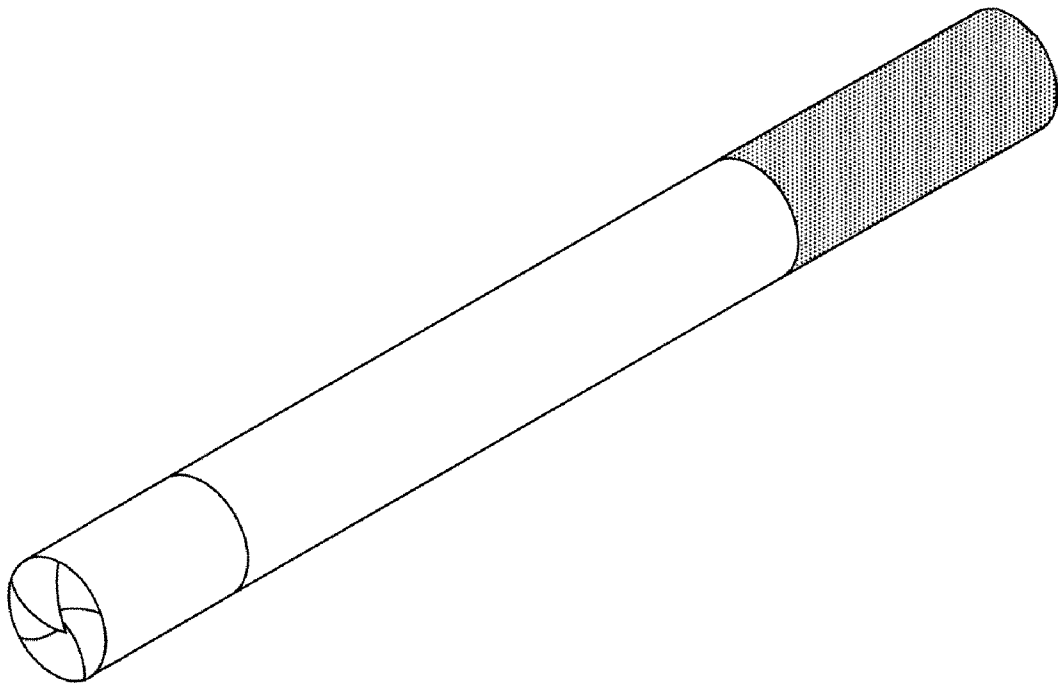


FIGURE 1



FIGURE 2

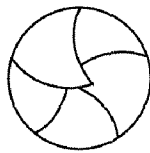


FIGURE 3

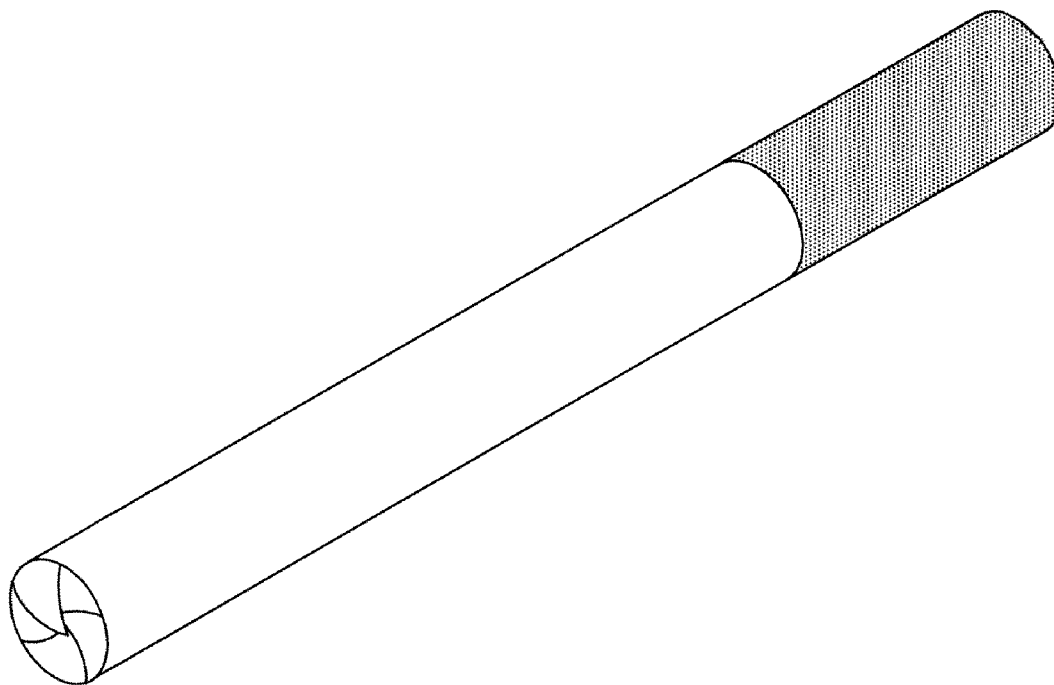


FIGURE 4



FIGURE 5

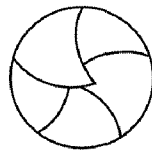


FIGURE 6