



US00D813197S

(12) **United States Design Patent**
Katsuno

(10) **Patent No.:** **US D813,197 S**

(45) **Date of Patent:** **** Mar. 20, 2018**

(54) **HEADPHONE**

(71) Applicant: **CLARION CO., LTD.**, Saitama-shi,
Saitama (JP)

(72) Inventor: **Keita Katsuno**, Saitama (JP)

(73) Assignee: **CLARION CO., LTD.**, Saitama (JP)

(**) Term: **15 Years**

(21) Appl. No.: **29/588,342**

(22) Filed: **Dec. 20, 2016**

(30) **Foreign Application Priority Data**

Jun. 30, 2016 (JP) 2016-013932

(51) **LOC (11) Cl.** **14-01**

(52) **U.S. Cl.**
USPC **D14/206**

(58) **Field of Classification Search**
USPC D14/205, 188, 192; D29/112; 2/209;
181/129, 130, 135; 379/430, 431;
381/380, 381; 455/90.3, 575.1, 569.1
CPC H04R 1/1016; H04R 1/10; H04R 1/1066;
H04R 5/033; H04R 5/0335; H04R 1/1058
See application file for complete search history.

(56) **References Cited**

U.S. PATENT DOCUMENTS

3,063,721 A * 11/1962 Jackson A63B 69/3608
116/215
D195,365 S * 6/1963 Holt 359/839
D215,751 S * 10/1969 Castellano 351/158
3,647,059 A * 3/1972 Humphreys G02C 11/00
15/214
D229,975 S * 1/1974 Klugmann D16/309
4,634,816 A * 1/1987 O'Malley H04M 1/05
379/430

D297,324 S * 8/1988 Kohno D14/205
4,834,525 A * 5/1989 Vansaghi G02B 7/002
351/158
5,003,300 A * 3/1991 Wells G02B 13/16
340/980
D318,669 S * 7/1991 Nakayama D14/205
5,446,507 A * 8/1995 Chang G02B 7/002
351/124
D373,360 S * 9/1996 Kanno D14/205
D375,312 S * 11/1996 Kanno D14/205
D377,021 S * 12/1996 Isono D14/205
5,751,825 A * 5/1998 Myers G04F 5/025
381/118
D399,206 S * 10/1998 Yasutomi D14/205
6,195,441 B1 * 2/2001 Ito H04R 5/0335
381/370
D444,140 S * 6/2001 Ishibashi D14/192
6,385,325 B1 * 5/2002 Nageno H04R 1/1066
381/370
D510,335 S * 10/2005 Suzuki D14/205
D512,983 S * 12/2005 Tachikawa D14/205
D597,070 S * 7/2009 Zheng D14/205

(Continued)

Primary Examiner — Paula Allen Greene

(74) *Attorney, Agent, or Firm* — McDermott Will &
Emery LLP

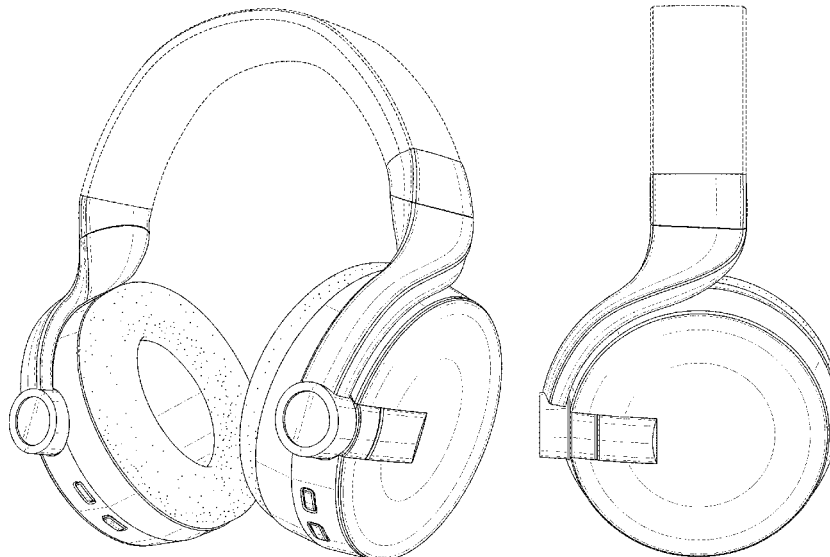
(57) **CLAIM**

The ornamental design for a headphone, as shown and described.

DESCRIPTION

FIG. 1 is a perspective view of a headphone showing my new design;
FIG. 2 is a front view thereof;
FIG. 3 is a rear view thereof;
FIG. 4 is a left-side view thereof;
FIG. 5 is a right-side view thereof;
FIG. 6 is a top view thereof; and,
FIG. 7 is a bottom view thereof.

1 Claim, 7 Drawing Sheets



(56)

References Cited

U.S. PATENT DOCUMENTS

7,580,539	B2 *	8/2009	Tachikawa	H04R 1/1066 381/374
D600,738	S *	9/2009	Su	D16/300
D632,668	S *	2/2011	Brunner	D14/205
D648,318	S *	11/2011	Huang	D14/206
D691,109	S *	10/2013	Hardi	D14/205
D696,644	S *	12/2013	Sejпка	D14/205
D706,242	S *	6/2014	Yang	H04R 1/1066 D14/205
D707,653	S *	6/2014	Hardi	H04R 1/10 D14/205
D712,375	S *	9/2014	Miyake	D14/205
D727,289	S *	4/2015	Czaniecki	D14/205
D759,626	S *	6/2016	Wagner	D14/205
D763,821	S *	8/2016	Leopardi	D14/205
D769,841	S *	10/2016	Sahlen	D14/205
D771,012	S *	11/2016	Wagner	D14/205
D773,434	S *	12/2016	Wu	D14/205
D791,102	S *	7/2017	Katsuno	D14/205
2002/0021407	A1 *	2/2002	Elliott	G02C 11/00 351/158

* cited by examiner



FIG. 1

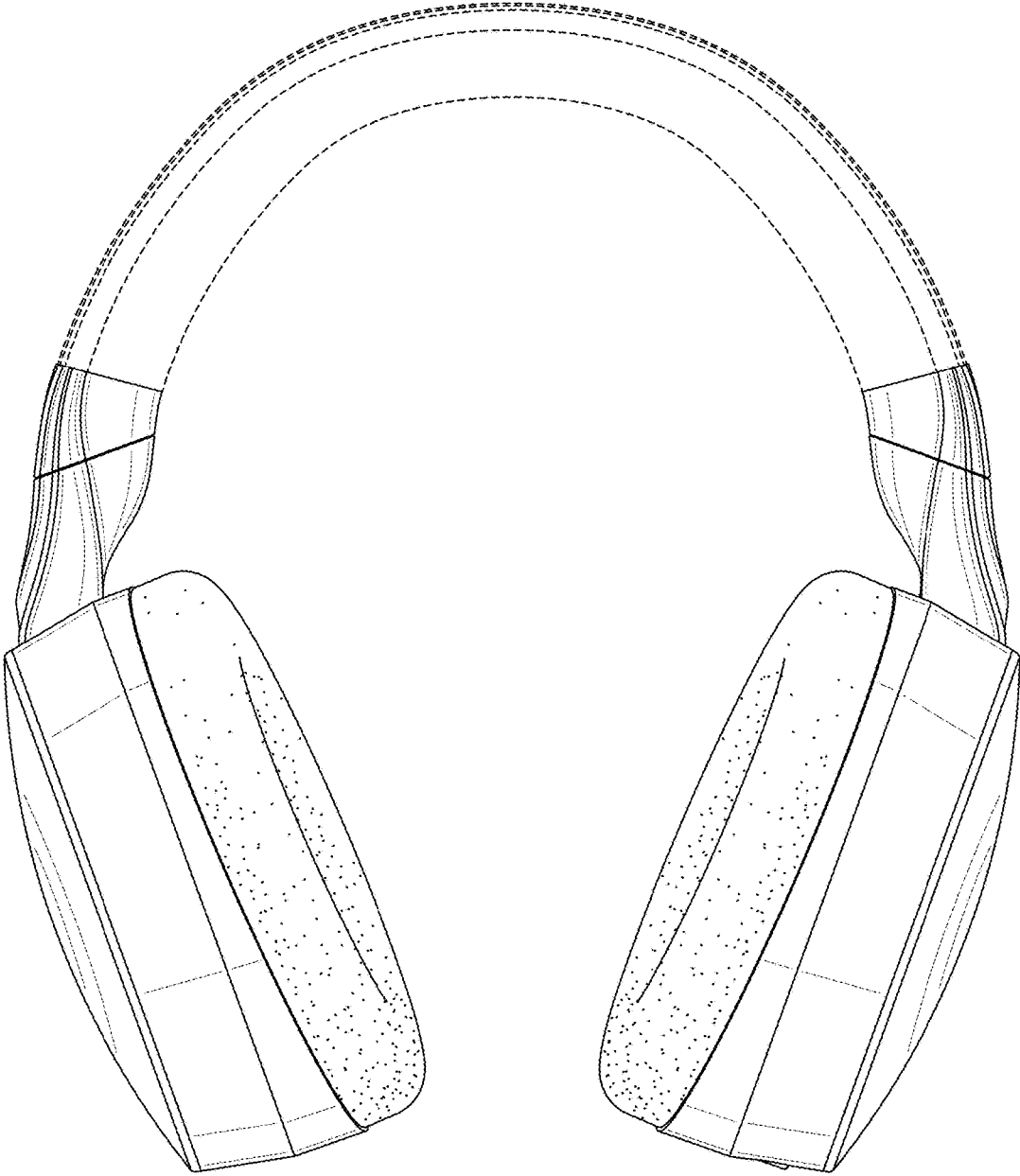


FIG. 2



FIG. 3

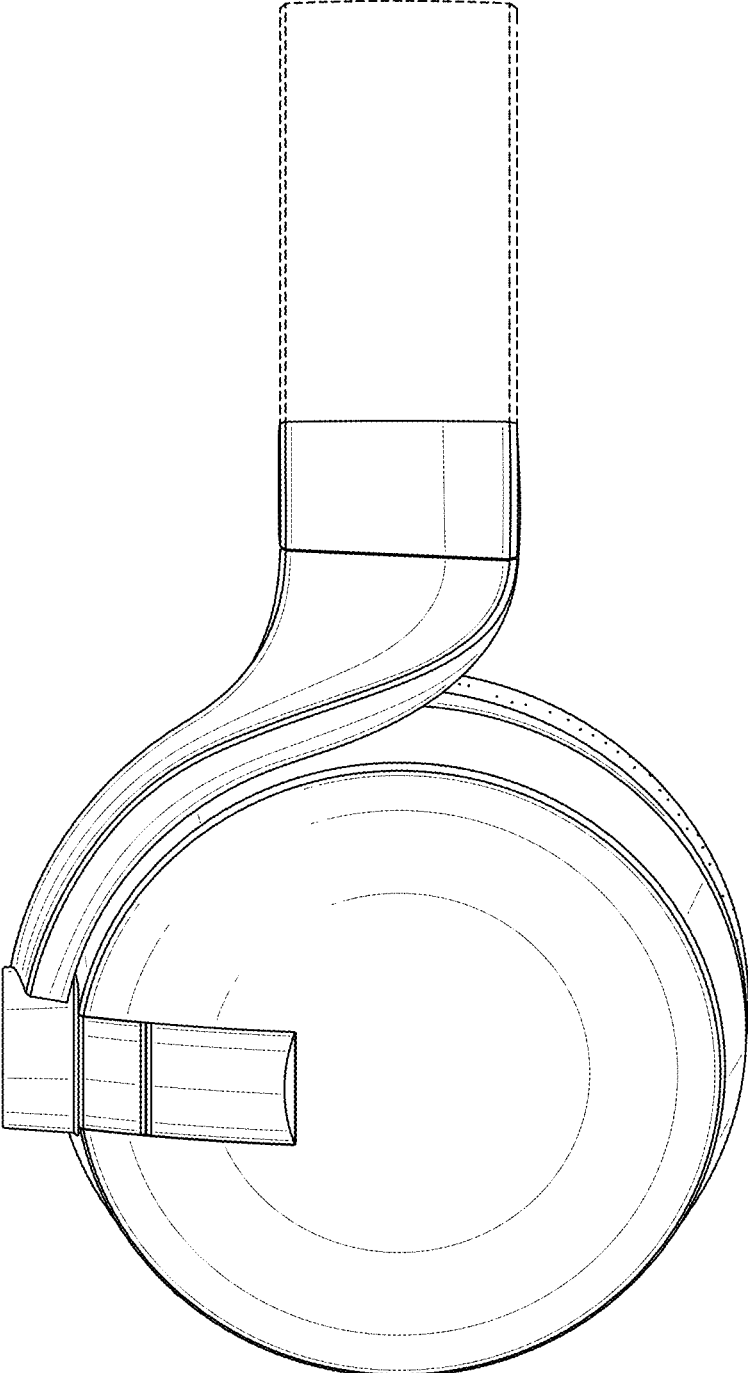


FIG. 4

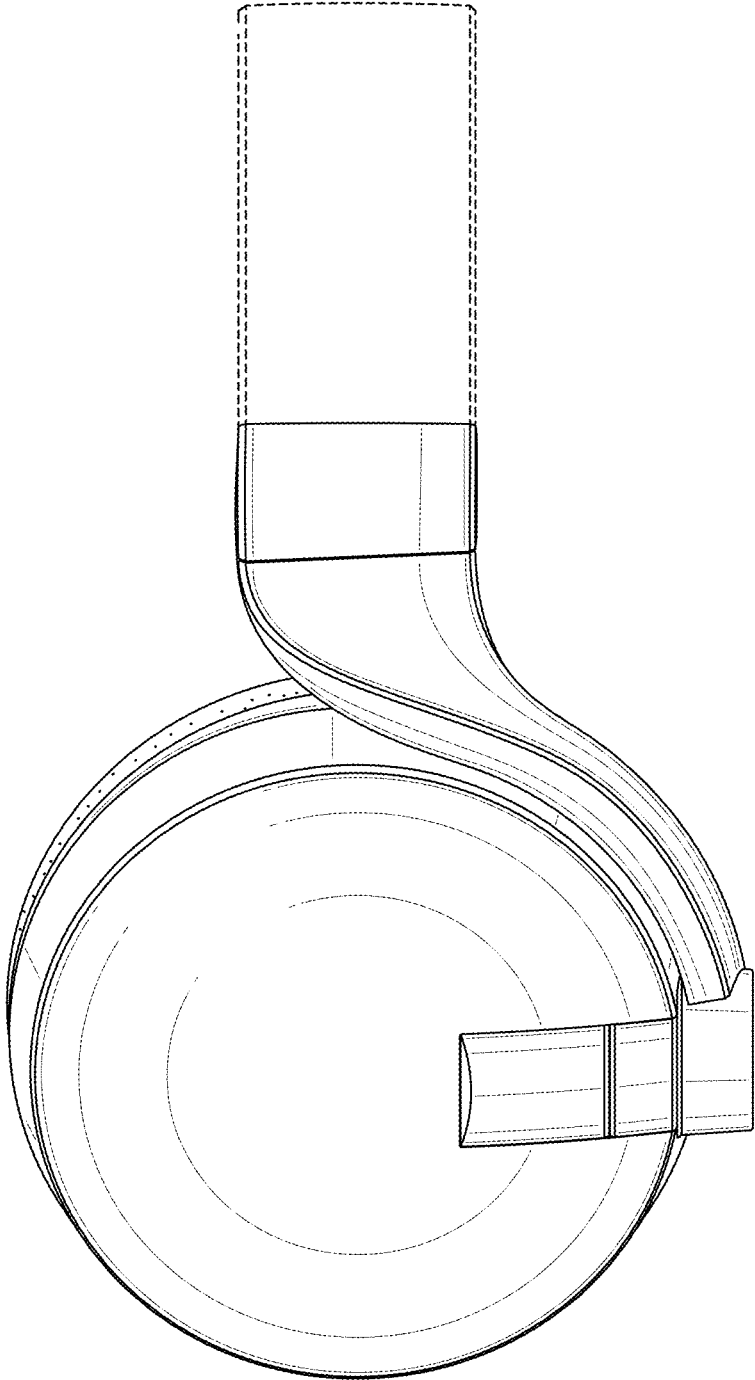


FIG. 5

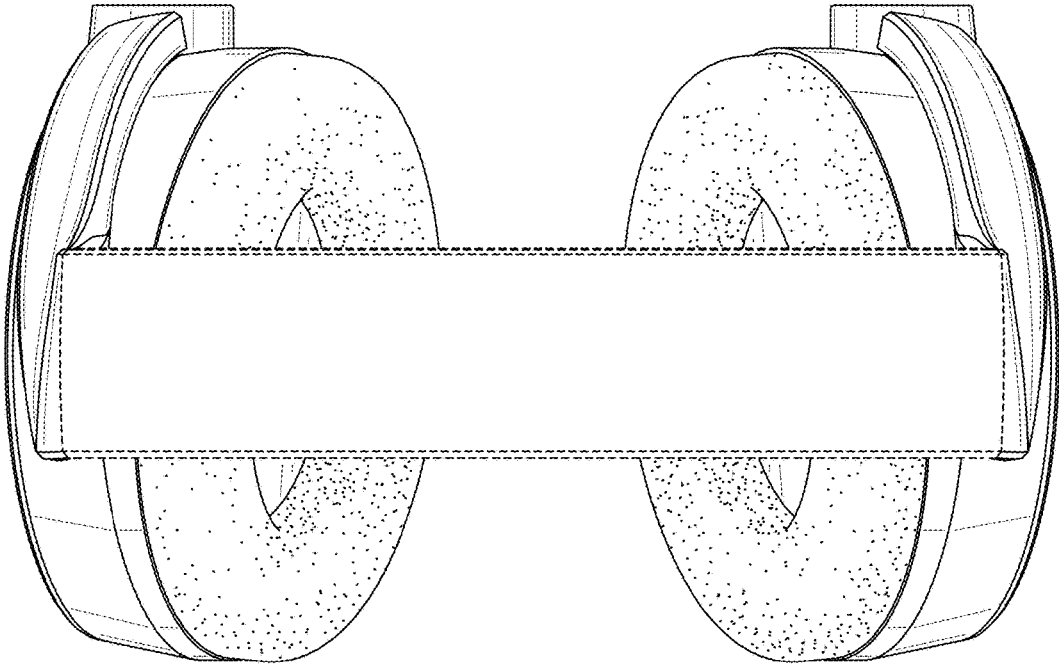


FIG. 6

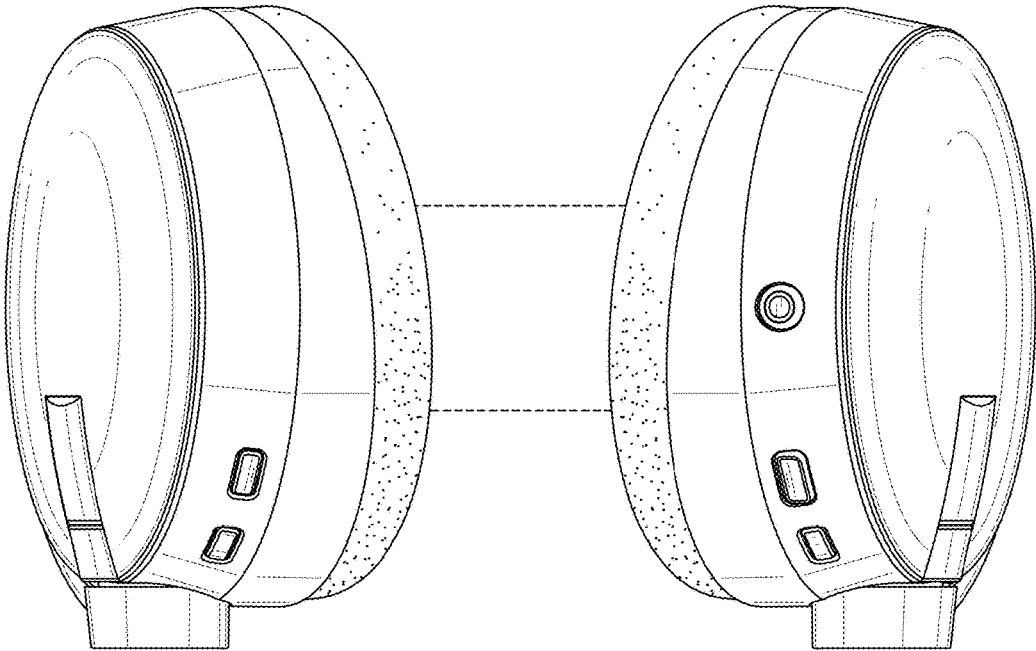


FIG. 7