



US00D741681S

(12) **United States Design Patent**
Kirby et al.

(10) **Patent No.:** **US D741,681 S**

(45) **Date of Patent:** **** Oct. 27, 2015**

(54) **HAND TOOL**

(71) Applicant: **Milwaukee Electric Tool Corporation,**
Brookfield, WI (US)

(72) Inventors: **Michael Kirby,** Menomonee Falls, WI (US); **Marc S. D'Antuono,** Wauwatosa, WI (US); **Matthew M. Kuester,** Manitowoc, WI (US); **Joseph H. Ellice,** Greenfield, WI (US); **Scott D. Bublitz,** Hartland, WI (US)

(73) Assignee: **Milwaukee Electric Tool Corporation,**
Brookfield, WI (US)

(**) Term: **14 Years**

(21) Appl. No.: **29/485,345**

(22) Filed: **Mar. 18, 2014**

Related U.S. Application Data

(63) Continuation of application No. 13/554,440, filed on Jul. 20, 2012, now abandoned.

(51) **LOC (10) Cl.** **08-04**

(52) **U.S. Cl.**
USPC **D8/105**

(58) **Field of Classification Search**
USPC D8/14, 51, 71, 82-87, 105, 106, 107, D8/306, 307, 321; 206/373
See application file for complete search history.

(56) **References Cited**

U.S. PATENT DOCUMENTS

695,660 A	3/1902	Swan	
867,118 A *	9/1907	Flora	7/142
876,235 A	1/1908	Quackenboss	
883,906 A	4/1908	Swan	
888,554 A	5/1908	Tuttle	

1,024,388 A	4/1912	Bartlett
1,450,674 A	4/1923	Marston
1,770,920 A	7/1930	Hermani
1,859,772 A	5/1932	Hiering
1,907,107 A	5/1933	Hiering

(Continued)

FOREIGN PATENT DOCUMENTS

DE	21757	8/1961
DE	1927578	11/1965

(Continued)

OTHER PUBLICATIONS

<http://toolguyd.com/milwaukee-insert-bit-holder-driver-and-dooickey/> Originally posted on Jul. 22, 2011.*

(Continued)

Primary Examiner — Susan Bennett Hattan

Assistant Examiner — Leanne Was

(74) *Attorney, Agent, or Firm* — Michael Best & Friedrich LLP

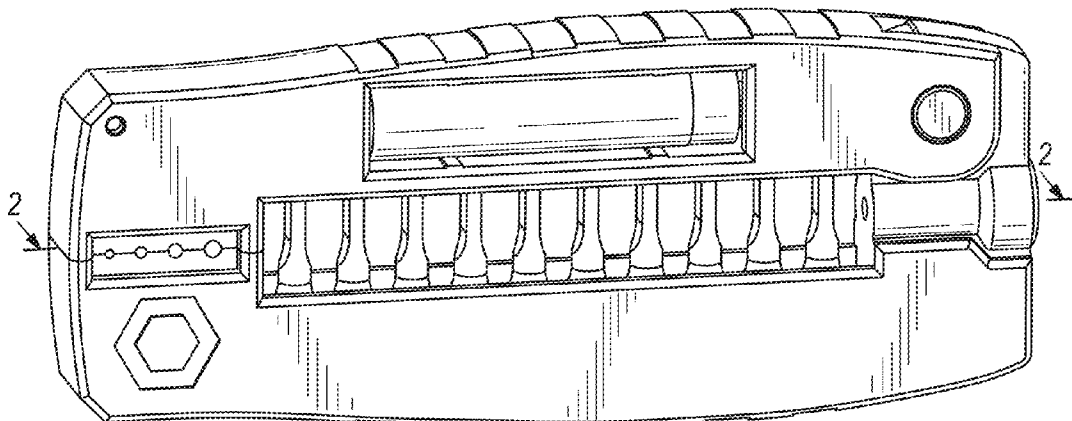
(57) **CLAIM**

We claim the ornamental design for a hand tool, as shown and described.

DESCRIPTION

FIG. 1 is a front perspective view of a hand tool.
FIG. 2 is a rear cross-sectional view of the hand tool taken generally along section line 2-2 in FIG. 1.
FIG. 3 is a cross-sectional view of the hand tool of FIG. 2 with a bit drive guide removed; and,
FIG. 4 is a rear perspective view of the hand tool of FIG. 1, illustrated in an open position.
Portions of the hand tool shown in broken lines are included for the purpose of depicting unclaimed portions of the hand tool that form no part of the claimed design.

1 Claim, 3 Drawing Sheets



(56)

References Cited

U.S. PATENT DOCUMENTS

1,934,138 A 11/1933 Paul et al.
 2,138,916 A 12/1938 Gaess
 2,256,257 A 9/1941 Dukehart, Jr.
 D153,069 S 3/1949 Linneman
 2,501,270 A 3/1950 Fleming
 2,584,721 A 2/1952 Linneman
 2,589,234 A 3/1952 Dorohan
 2,670,842 A 3/1954 Kruft
 2,827,004 A 3/1958 Luce et al.
 3,072,244 A 1/1963 Smith
 3,179,278 A 4/1965 Cohen
 3,265,204 A 8/1966 Wozniak
 3,294,225 A 12/1966 Kenyon
 3,395,787 A 8/1968 Plaskan
 3,454,151 A 7/1969 Plaskan
 3,494,499 A 2/1970 Plog et al.
 3,521,810 A 7/1970 Boyer
 3,621,994 A 11/1971 Brown
 3,817,372 A 6/1974 Smith
 3,837,475 A 9/1974 Bolanz
 3,904,035 A 9/1975 Metzler et al.
 3,947,905 A 4/1976 Neff
 4,046,279 A 9/1977 Rosler
 4,210,253 A 7/1980 Rosler
 4,238,862 A 12/1980 Leatherman
 4,269,311 A 5/1981 Rich
 4,307,819 A 12/1981 Araki
 4,402,423 A 9/1983 Skowronski et al.
 4,445,611 A 5/1984 Shofu
 4,509,656 A 4/1985 Rosler
 4,596,340 A 6/1986 Luther
 4,615,464 A 10/1986 Byrns
 4,809,875 A 3/1989 Takano
 4,840,288 A 6/1989 Lunderman et al.
 4,884,317 A 12/1989 Liu
 4,909,406 A 3/1990 Wu
 4,930,628 A 6/1990 Bridges
 4,938,355 A 7/1990 Rocco
 5,076,428 A 12/1991 Shaw
 5,139,186 A 8/1992 Loew et al.
 5,190,154 A 3/1993 Reusch
 5,248,030 A 9/1993 Tarozzi
 5,288,453 A 2/1994 Rutenbeck et al.
 5,497,522 A 3/1996 Chen
 5,509,527 A 4/1996 Wang
 5,515,249 A 5/1996 Shiao
 5,522,291 A 6/1996 Liu
 5,535,882 A 7/1996 Liu
 5,562,208 A 10/1996 Hasler et al.
 5,562,212 A 10/1996 Rosler
 5,638,957 A 6/1997 Brasier
 5,642,832 A 7/1997 Favre
 5,680,949 A 10/1997 Roesler
 5,687,844 A 11/1997 Budert
 5,704,260 A 1/1998 Huang
 5,782,150 A 7/1998 Huang
 5,829,591 A 11/1998 Lyons
 5,829,596 A 11/1998 Budert
 5,887,306 A 3/1999 Huang
 5,893,457 A 4/1999 Wei
 5,896,606 A 4/1999 Huang
 5,904,080 A 5/1999 Anderson et al.
 5,960,744 A 10/1999 Rutman
 5,967,318 A 10/1999 Rosler
 5,992,665 A 11/1999 Deeter
 6,032,332 A 3/2000 Lin
 6,050,409 A 4/2000 Delbeck et al.
 6,101,654 A * 8/2000 Cachot 7/128
 6,116,447 A 9/2000 Daoud
 6,216,858 B1 4/2001 Chiu
 6,243,901 B1 6/2001 Elsener et al.
 6,243,902 B1 6/2001 Huang
 6,283,291 B1 9/2001 Vasudeva et al.
 6,298,857 B1 10/2001 Schmidt
 6,315,408 B1 11/2001 Huang

6,352,010 B1 3/2002 Giarritta et al.
 6,405,865 B1 6/2002 Lin
 6,431,034 B1 8/2002 Chen
 6,453,564 B1 * 9/2002 Foley 30/359
 6,460,433 B1 * 10/2002 Akeret et al. 81/440
 6,481,034 B2 11/2002 Elsener et al.
 6,493,893 B1 * 12/2002 Akeret 7/160
 6,588,040 B2 7/2003 Rivera
 6,592,236 B1 * 7/2003 Lin 362/119
 6,640,675 B1 11/2003 Chuang
 6,648,166 B2 11/2003 Levy
 6,687,991 B2 2/2004 Murg
 6,691,403 B1 2/2004 Murg
 6,753,537 B2 6/2004 Woo
 6,866,147 B2 3/2005 Barwick
 6,988,616 B2 1/2006 Chen
 7,014,058 B2 3/2006 Gledhill
 7,032,483 B2 4/2006 Liu
 7,073,417 B2 7/2006 Beauchamp
 7,168,559 B2 1/2007 Chen
 7,195,120 B2 3/2007 Cunningham et al.
 7,228,983 B2 6/2007 Pangerc et al.
 7,237,688 B2 7/2007 Pangerc et al.
 7,249,676 B2 7/2007 Wang
 D550,959 S 9/2007 Miller et al.
 7,264,118 B2 9/2007 Chen
 7,306,099 B2 12/2007 Chen
 7,325,682 B2 2/2008 Seymour et al.
 7,341,144 B2 3/2008 Tajiri et al.
 7,360,654 B2 4/2008 Liu
 7,367,451 B2 5/2008 Pendergraph et al.
 7,367,467 B2 5/2008 Bashuk
 7,380,660 B2 6/2008 Lin
 7,401,700 B2 7/2008 Dost et al.
 7,424,837 B2 9/2008 Shu
 7,484,620 B2 2/2009 Miller et al.
 7,530,459 B2 5/2009 Yeh
 7,661,526 B2 2/2010 Lin
 7,677,391 B2 3/2010 Pistor et al.
 7,854,318 B2 12/2010 Chen
 D630,080 S * 1/2011 Seeds et al. D8/105
 7,870,956 B1 1/2011 Wang
 7,900,771 B1 3/2011 Meng
 8,011,277 B2 9/2011 Johnson et al.
 8,038,004 B2 10/2011 Hu
 8,083,060 B1 12/2011 Liu
 D705,636 S * 5/2014 Rubin et al. D8/85
 D716,128 S * 10/2014 Stokes et al. D8/105
 2001/0008215 A1 7/2001 Colombo
 2002/0179472 A1 12/2002 Lee
 2004/0195113 A1 10/2004 Yoshizawa
 2004/0232016 A1 11/2004 Dietrich
 2005/0178695 A1 8/2005 Petit
 2006/0283870 A1 12/2006 Au
 2007/0114150 A1 5/2007 Lin
 2007/0251355 A1 11/2007 Kao
 2008/0041746 A1 2/2008 Hsiao
 2010/0032327 A1 2/2010 Lai
 2011/0088519 A1 4/2011 Hu
 2011/0094910 A1 4/2011 Fleury et al.
 2011/0120895 A1 5/2011 Hu
 2013/0068646 A1 * 3/2013 Kirby et al. 206/373

FOREIGN PATENT DOCUMENTS

DE 2431672 1/1976
 DE 7620793 10/1976
 DE 3211146 10/1983
 DE 3325033 3/1984
 DE 8913207 1/1990
 DE 3906716 9/1990
 DE 4005573 8/1991
 DE 9007720 9/1994
 DE 29606201 6/1996
 DE 29710218 7/1997
 DE 19620566 11/1997
 DE 29612094 11/1997
 DE 19724974 12/1998
 DE 29904031 7/1999

(56)

References Cited

FOREIGN PATENT DOCUMENTS

DE	20318541	5/2005
DE	102006055025	5/2008
DE	102006055195	5/2008
EP	385055	9/1990
EP	443200	8/1991
EP	1116558	7/2001
EP	1332839	8/2003
EP	1537958	6/2005
FR	2797798	3/2001
FR	2930471	10/2009

WO	9424008	10/1994
WO	9744163	11/1997
WO	2008061854	5/2008
WO	20090138663	11/2009

OTHER PUBLICATIONS

<http://professional-power-tool-guide.com/2012/09/milwaukee-magnetic-drive-guide-set-a-cool-little-tool/> Originally posted on Sep. 27, 2012.*
Canadian Patent Office Action for Application No. 2,783,455 dated Feb. 21, 2014 (2 pages).

* cited by examiner

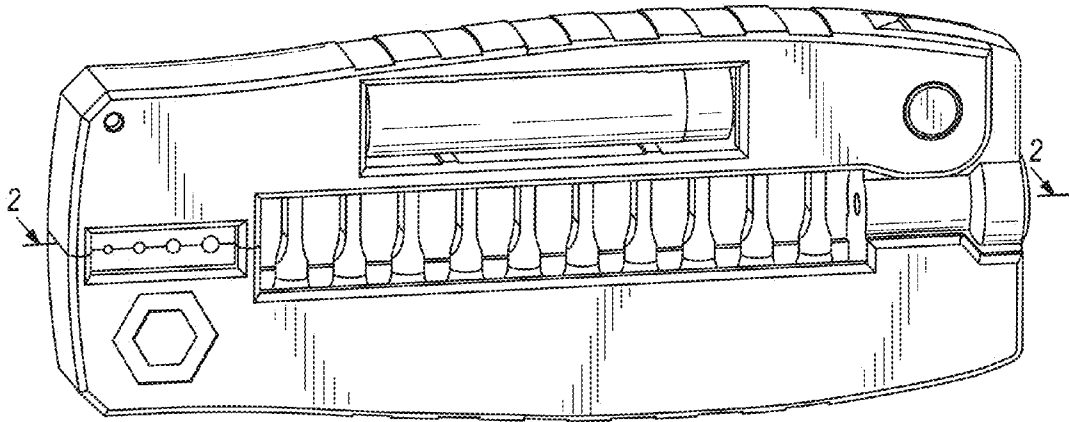


FIG. 1

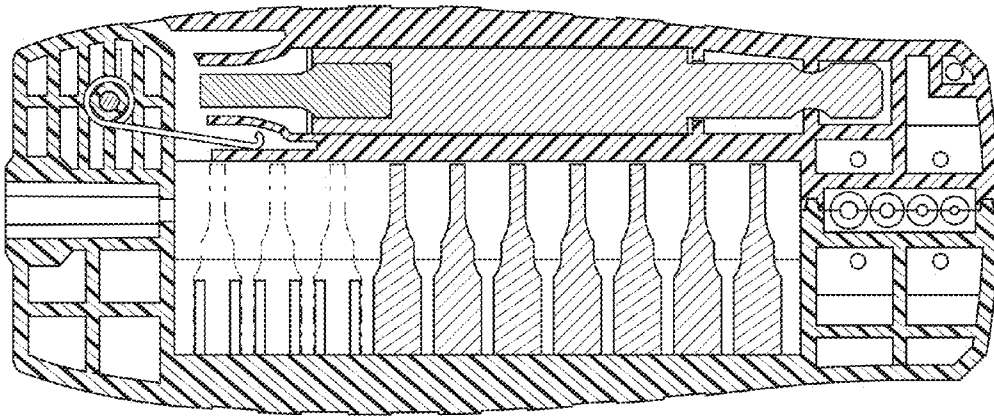


FIG. 2

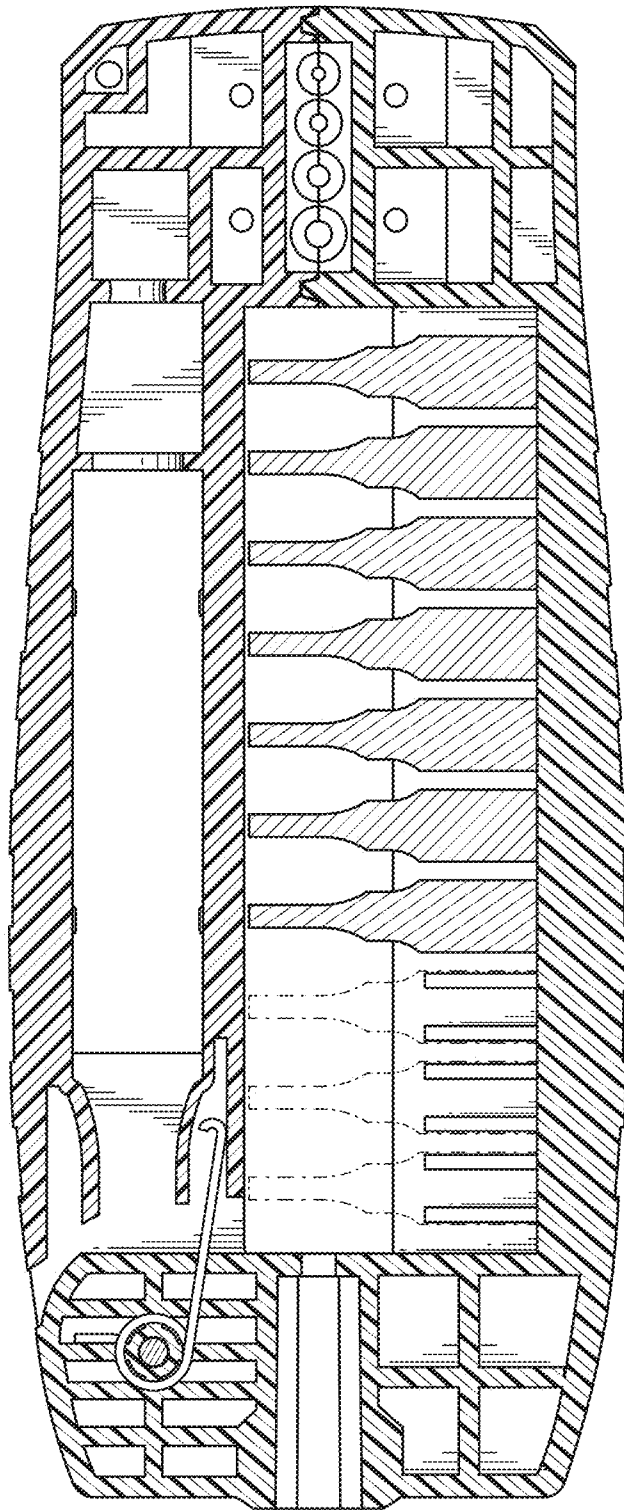


FIG. 3

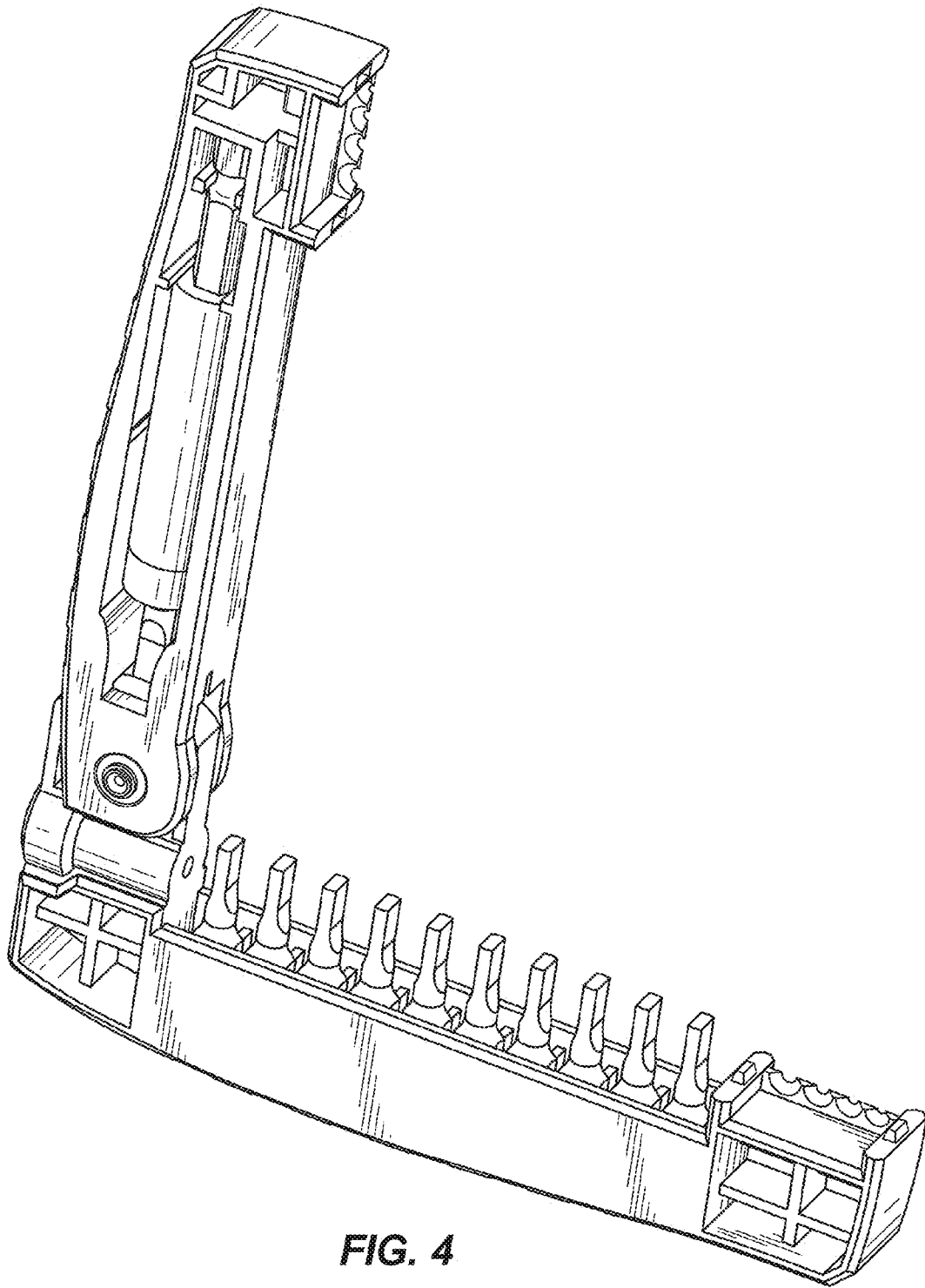


FIG. 4