



US00D525974S

(12) **United States Design Patent**
Yu et al.

(10) **Patent No.:** **US D525,974 S**

(45) **Date of Patent:** **** Aug. 1, 2006**

(54) **LIQUID CRYSTAL DISPLAY**

(75) Inventors: **Jing-Renn Yu**, Tucheng (TW);
Ding-Ding Zhang, Shenzhen (CN)

(73) Assignee: **Hon Hai Precision Industry Co., LTD**,
Taipei Hsien (TW)

(**) Term: **14 Years**

(21) Appl. No.: **29/237,159**

(22) Filed: **Aug. 26, 2005**

(30) **Foreign Application Priority Data**

Jun. 10, 2005 (CN) 2005 3 0061447

(51) **LOC (8) Cl.** **14-02**

(52) **U.S. Cl.** **D14/375**

(58) **Field of Classification Search** D14/371-375,
D14/125-129; 345/104, 156, 168, 173, 901-905;
348/180, 184, 325, 739; 248/917-924; 341/12;
349/1, 2, 11, 62

See application file for complete search history.

(56) **References Cited**

U.S. PATENT DOCUMENTS

D416,549 S * 11/1999 Coster et al. D14/375

D476,005 S * 6/2003 Peng et al. D14/375
D481,729 S * 11/2003 Olson et al. D14/375
D489,721 S * 5/2004 Peng et al. D14/371
D496,046 S * 9/2004 Lo D14/375

* cited by examiner

Primary Examiner—Fred S. Nunn

(74) *Attorney, Agent, or Firm*—Jeffrey T. Knapp

(57) **CLAIM**

The ornamental design for a liquid crystal display, as shown and described.

DESCRIPTION

FIG. 1 is a perspective view of a liquid crystal display of our new design;

FIG. 2 is a front elevational view thereof;

FIG. 3 is a rear elevational view thereof;

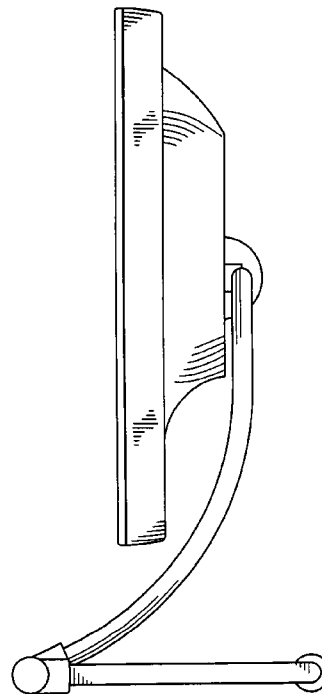
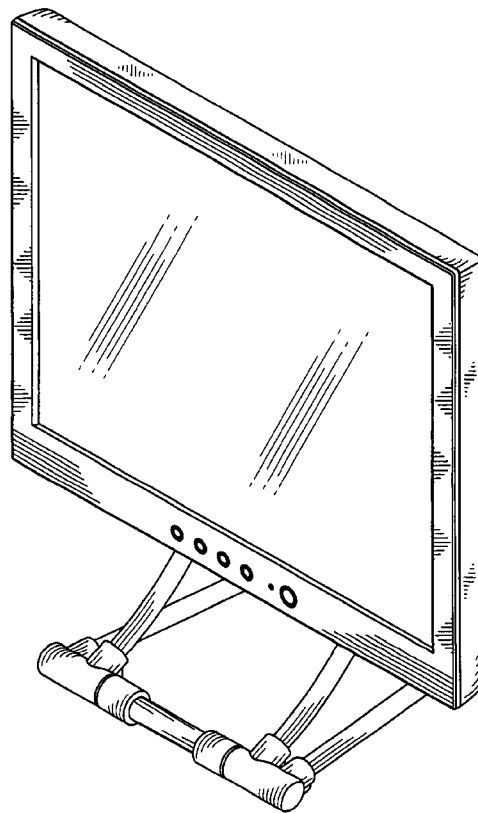
FIG. 4 is a left side elevational view thereof;

FIG. 5 is a right side elevational view thereof;

FIG. 6 is a top plan view thereof; and,

FIG. 7 is a bottom plan view thereof.

1 Claim, 5 Drawing Sheets



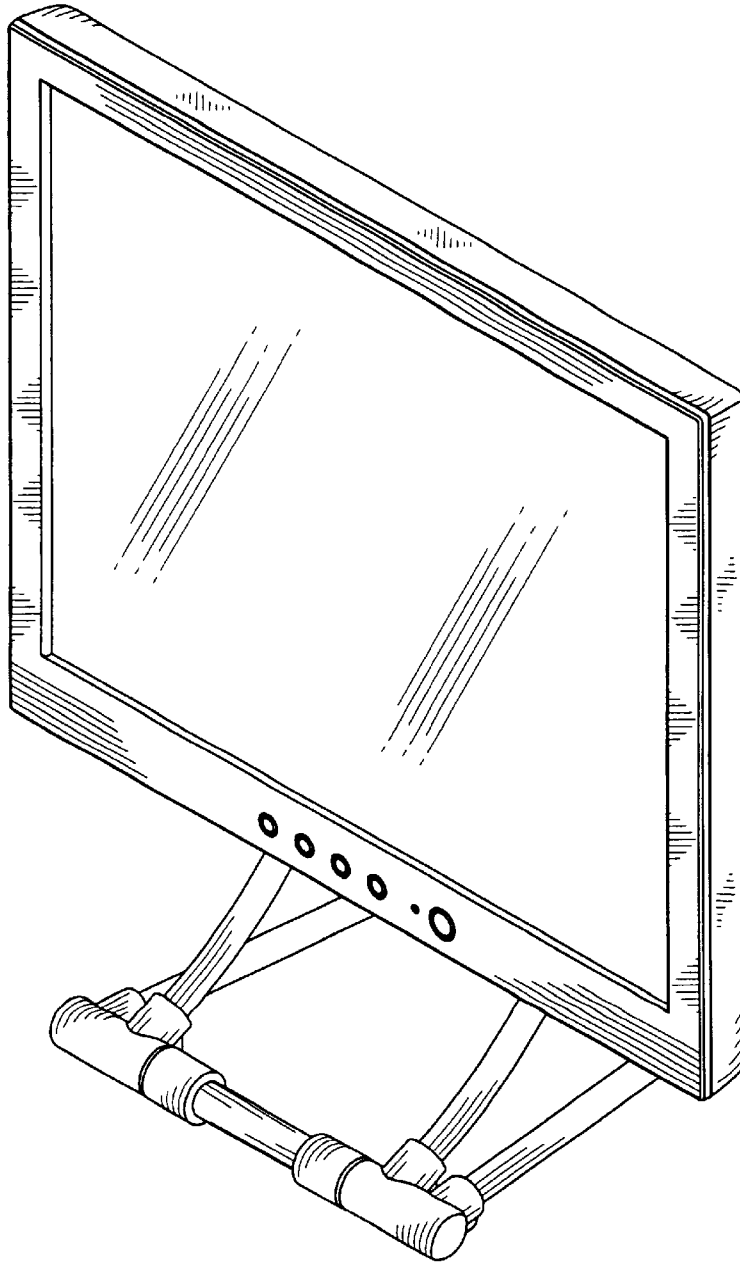


FIG. 1

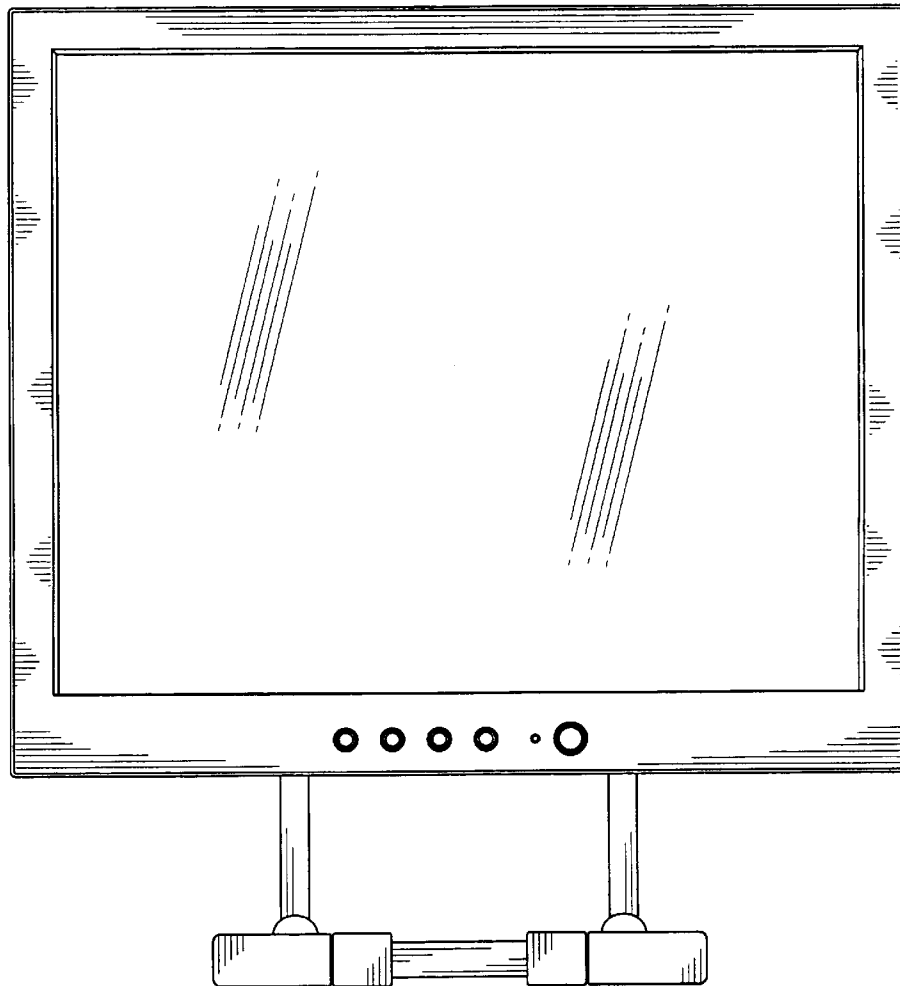


FIG. 2

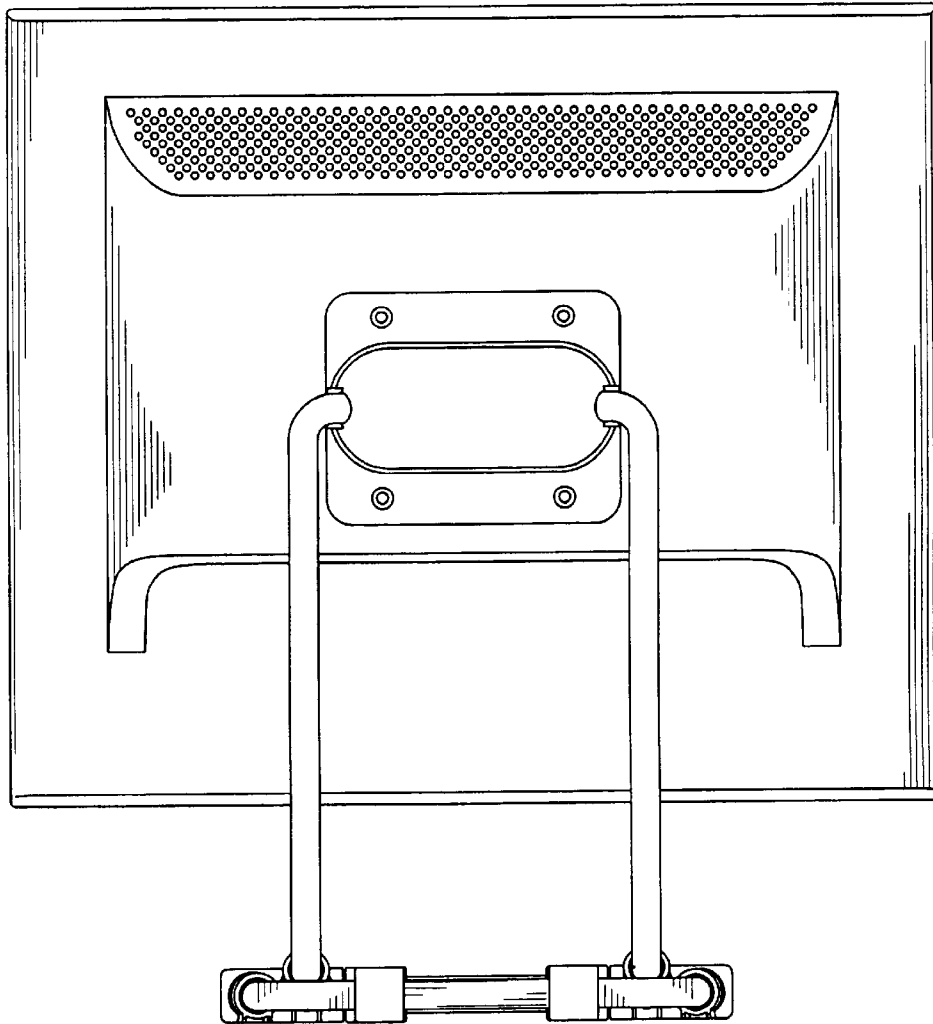


FIG. 3

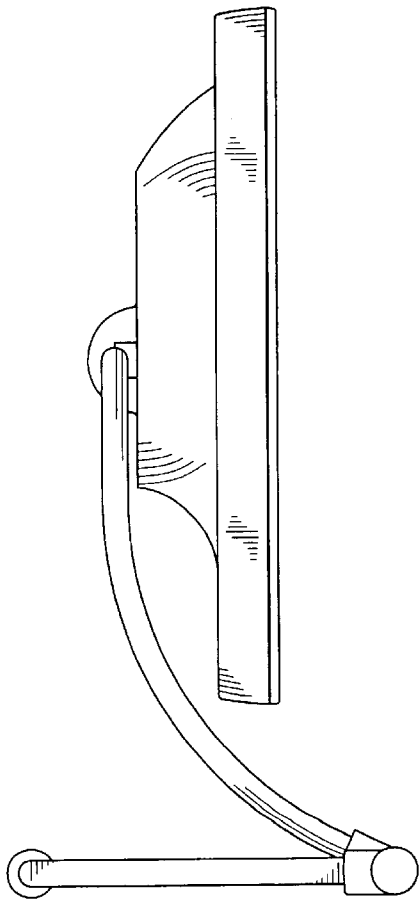


FIG. 4

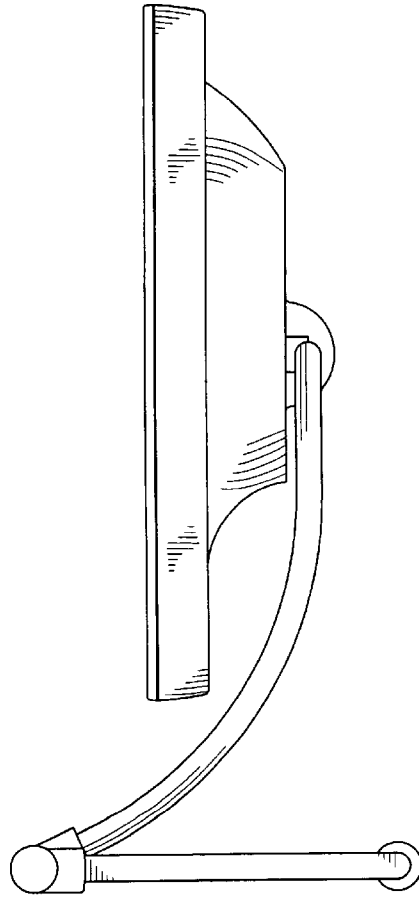


FIG. 5

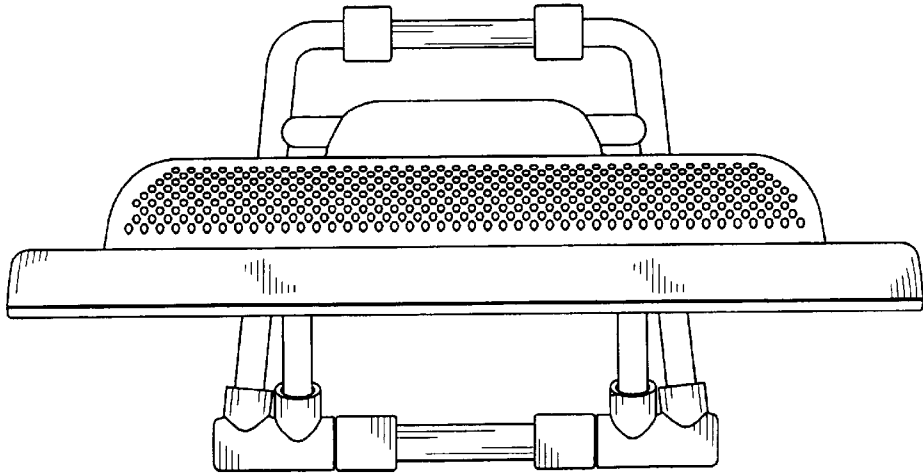


FIG. 6

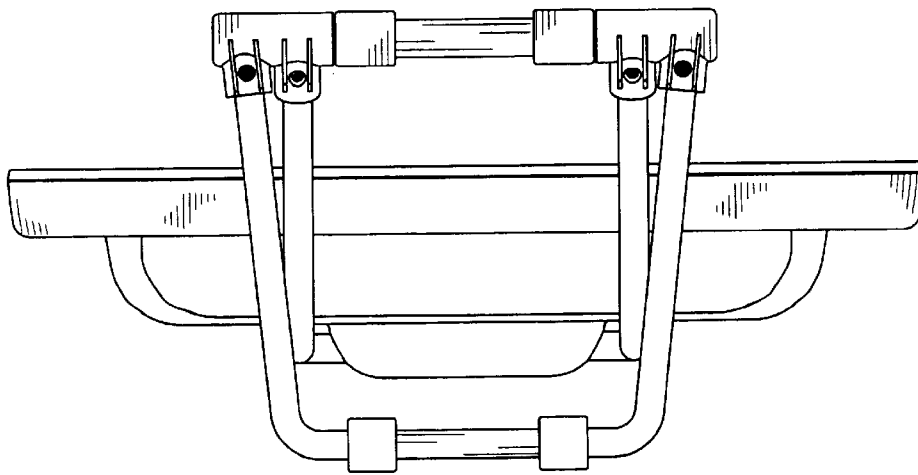


FIG. 7