



(51) International Patent Classification:

F21V 19/00 (2006.01) F21V 23/00 (2006.01)  
F21Y 101/02 (2006.01) F21K 99/00 (2010.01)

(21) International Application Number:

PCT/IB2012/052697

(22) International Filing Date:

30 May 2012 (30.05.2012)

(25) Filing Language:

English

(26) Publication Language:

English

(30) Priority Data:

11168753.9 6 June 2011 (06.06.2011) EP

(71) Applicant (for all designated States except US):

**KONINKLIJKE PHILIPS ELECTRONICS N.V.** [NL/NL]; High Tech Campus 5, NL-5656 AE Eindhoven (NL).

(72) Inventors; and

(75) Inventors/Applicants (for US only):

**KESER, Merijn** [NL/NL]; c/o High Tech Campus, Building 44, NL-5656 AE Eindhoven (NL). **BUKKEMS, Peter Johannes Martinus** [NL/NL]; c/o High Tech Campus, Building 44, NL-

5656 AE Eindhoven (NL). **GIELEN, Vincent Stefan David** [NL/NL]; c/o High Tech Campus, Building 44, NL-5656 AE Eindhoven (NL).

(74) Agents: **VAN EEUWIJK, Alexander** et al.; High Tech Campus, Building 44, NL-5656 AE Eindhoven (NL).

(81) Designated States (unless otherwise indicated, for every kind of national protection available):

AE, AG, AL, AM, AO, AT, AU, AZ, BA, BB, BG, BH, BR, BW, BY, BZ, CA, CH, CL, CN, CO, CR, CU, CZ, DE, DK, DM, DO, DZ, EC, EE, EG, ES, FI, GB, GD, GE, GH, GM, GT, HN, HR, HU, ID, IL, IN, IS, JP, KE, KG, KM, KN, KP, KR, KZ, LA, LC, LK, LR, LS, LT, LU, LY, MA, MD, ME, MG, MK, MN, MW, MX, MY, MZ, NA, NG, NI, NO, NZ, OM, PE, PG, PH, PL, PT, QA, RO, RS, RU, RW, SC, SD, SE, SG, SK, SL, SM, ST, SV, SY, TH, TJ, TM, TN, TR, TT, TZ, UA, UG, US, UZ, VC, VN, ZA, ZM, ZW.

(84) Designated States (unless otherwise indicated, for every kind of regional protection available):

ARIPO (BW, GH, GM, KE, LR, LS, MW, MZ, NA, RW, SD, SL, SZ, TZ, UG, ZM, ZW), Eurasian (AM, AZ, BY, KG, KZ, RU, TJ, TM), European (AL, AT, BE, BG, CH, CY, CZ, DE, DK, EE, ES, FI, FR, GB, GR, HR, HU, IE, IS, IT, LT, LU, LV, MC, MK, MT, NL, NO, PL, PT, RO, RS, SE, SI, SK, SM,

[Continued on next page]

(54) Title: A SOCKET, A LIGHTING MODULE AND A LUMINAIRE

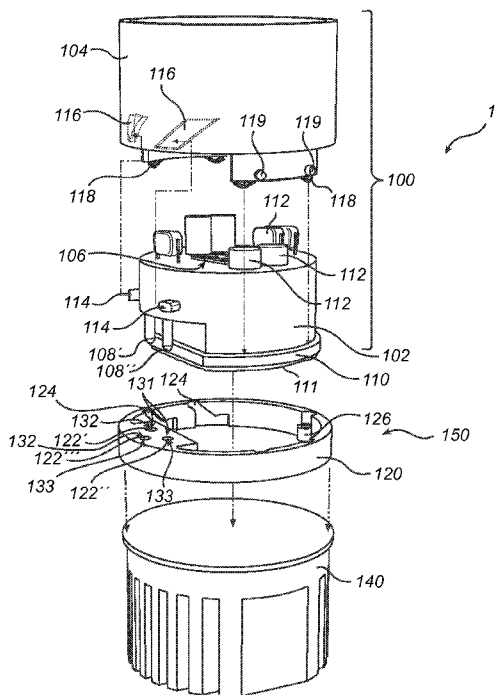


Fig. 1

(57) Abstract: The invention relates to a socket (150, 250, 350) for receiving a lighting module (102, 102', 202, 302', 302'', 302''') comprising a light source (106, 209), electrical contacting means (108', 108'', 108''', 215, 381; 371, 382; 372, 383; 373) electrically connected to the light source (106, 209) and a heat spreader (140, 240, 340) in thermal contact with the light source (106, 209), the socket (150, 250, 350) comprising at least a first set (131, 231, 331) and a second set (132, 232, 332) of socket contact means for providing an electrical interface with the electrical contacting means (108', 108'', 108''', 215, 381; 371, 382; 372, 383; 373) of the lighting module (102, 102', 202, 302', 302'', 302'''), wherein the socket (150, 250, 350) is configured to retain the lighting module (102, 102', 202, 302', 302'', 302''') in a predetermined position in which electrical contact between the electrical contacting means (108, 215, 381; 371, 382; 372, 383; 373) of the lighting module (102, 102', 202, 302', 302'', 302''') and one of the first (131, 231, 331) and second set (132, 232, 332) of socket contact means is achieved and electrical contact between the electrical contacting means (108', 108'', 108''', 215, 381; 371, 382; 372, 383; 373) of the lighting module (102, 102', 202, 302', 302'', 302''') and the other one of the first (131, 231, 331) and second set (132, 232, 332) of socket contact means is prevented. The invention further relates to a lighting module (102, 102', 202, 302', 302'', 302''') to be received in the socket (150, 250, 350) and to a luminaire comprising a lighting module mounted in a socket.





TR), OAPI (BF, BJ, CF, CG, CI, CM, GA, GN, GQ, GW,  
ML, MR, NE, SN, TD, TG).

— before the expiration of the time limit for amending the  
claims and to be republished in the event of receipt of  
amendments (Rule 48.2(h))

**Declarations under Rule 4.17:**

— as to applicant's entitlement to apply for and be granted  
a patent (Rule 4.17(ii))

**(88) Date of publication of the international search report:**  
28 February 2013

**Published:**

— with international search report (Art. 21(3))

INTERNATIONAL SEARCH REPORT

International application No  
PCT/IB2012/052697

A. CLASSIFICATION OF SUBJECT MATTER  
INV. F21V19/00  
ADD. F21Y101/02 F21V23/00 F21K99/00

According to International Patent Classification (IPC) or to both national classification and IPC

B. FIELDS SEARCHED

Minimum documentation searched (classification system followed by classification symbols)  
F21V H01R

Documentation searched other than minimum documentation to the extent that such documents are included in the fields searched

Electronic data base consulted during the international search (name of data base and, where practicable, search terms used)  
EPO-Internal, WPI Data

C. DOCUMENTS CONSIDERED TO BE RELEVANT

Category*	Citation of document, with indication, where appropriate, of the relevant passages	Relevant to claim No.
X	JP 9 185978 A (MATSUSHITA ELECTRIC WORKS LTD) 15 July 1997 (1997-07-15) paragraph [0001] - paragraph [0004] figures 20-24 & JP 54 182574 U 24 December 1979 (1979-12-24) figures 1-7	1-3,9-12
X	US 6 271 629 B1 (PACE VINCENT MARIO [US] ET AL) 7 August 2001 (2001-08-07) column 3, line 52 - column 4, line 19 figures 1,3,6	1,2,4,9-14
X	WO 99/10955 A1 (ANTHONY S MFG CO [US]; RICHARDSON RICHARD J [US]) 4 March 1999 (1999-03-04) page 10, line 24 - line 32 figure 4	1,2,4,10-14
	----- -/--	

Further documents are listed in the continuation of Box C.

See patent family annex.

\* Special categories of cited documents :

"A" document defining the general state of the art which is not considered to be of particular relevance

"E" earlier application or patent but published on or after the international filing date

"L" document which may throw doubts on priority claim(s) or which is cited to establish the publication date of another citation or other special reason (as specified)

"O" document referring to an oral disclosure, use, exhibition or other means

"P" document published prior to the international filing date but later than the priority date claimed

"T" later document published after the international filing date or priority date and not in conflict with the application but cited to understand the principle or theory underlying the invention

"X" document of particular relevance; the claimed invention cannot be considered novel or cannot be considered to involve an inventive step when the document is taken alone

"Y" document of particular relevance; the claimed invention cannot be considered to involve an inventive step when the document is combined with one or more other such documents, such combination being obvious to a person skilled in the art

"&" document member of the same patent family

Date of the actual completion of the international search <b>20 December 2012</b>	Date of mailing of the international search report <b>07/01/2013</b>
--	---

Name and mailing address of the ISA/ European Patent Office, P.B. 5818 Patentlaan 2 NL - 2280 HV Rijswijk Tel. (+31-70) 340-2040, Fax: (+31-70) 340-3016	Authorized officer <b>Dinkla, Remko</b>
--	--

## INTERNATIONAL SEARCH REPORT

International application No  
PCT/IB2012/052697

C(Continuation). DOCUMENTS CONSIDERED TO BE RELEVANT		
Category*	Citation of document, with indication, where appropriate, of the relevant passages	Relevant to claim No.
A	EP 2 284 440 A1 (KONINKL PHILIPS ELECTRONICS NV [NL]) 16 February 2011 (2011-02-16) paragraphs [0025], [0029], [0051] figures 1-3 -----	1-3,5,9, 12-14
A	DE 10 2008 008809 B3 (BJB GMBH & CO KG [DE]) 30 April 2009 (2009-04-30) abstract paragraphs [0036], [0037] figures 1,2,7 -----	1
A	US 2011/019409 A1 (WRONSKI GRZEGORZ [US]) 27 January 2011 (2011-01-27) paragraph [0007] figure 1 -----	1
A	DE 10 2008 012472 A1 (BJB GMBH & CO KG [DE]; OSRAM GMBH [DE]) 10 September 2009 (2009-09-10) abstract figures 6,7 -----	1
A	US 5 941 632 A (WEDELL MARK T [US] ET AL) 24 August 1999 (1999-08-24) abstract figures 1-5 -----	1

# INTERNATIONAL SEARCH REPORT

Information on patent family members

International application No  
PCT/IB2012/052697

Patent document cited in search report	Publication date	Patent family member(s)	Publication date
JP 9185978	A	15-07-1997	JP 3336180 B2 21-10-2002 JP 9185978 A 15-07-1997
-----			
US 6271629	B1	07-08-2001	NONE
-----			
WO 9910955	A1	04-03-1999	AU 9297498 A 16-03-1999 CA 2272569 A1 04-03-1999 EP 0935830 A1 18-08-1999 US 6638088 B1 28-10-2003 US 6641419 B1 04-11-2003 WO 9910955 A1 04-03-1999
-----			
EP 2284440	A1	16-02-2011	NONE
-----			
DE 102008008809	B3	30-04-2009	NONE
-----			
US 2011019409	A1	27-01-2011	CA 2768777 A1 27-01-2011 CN 102549336 A 04-07-2012 EP 2457018 A1 30-05-2012 US 2011019409 A1 27-01-2011 WO 2011011323 A1 27-01-2011
-----			
DE 102008012472	A1	10-09-2009	DE 102008012472 A1 10-09-2009 WO 2009112391 A1 17-09-2009
-----			
US 5941632	A	24-08-1999	AU 719848 B2 18-05-2000 AU 2207697 A 22-09-1997 BR 9707848 A 27-07-1999 CA 2247962 A1 12-09-1997 DE 69704658 D1 31-05-2001 DE 69704658 T2 29-05-2002 EP 0882197 A2 09-12-1998 EP 1055874 A2 29-11-2000 EP 1055875 A2 29-11-2000 ES 2159395 T3 01-10-2001 HK 1015445 A1 30-11-2001 JP 3258671 B2 18-02-2002 JP H11512873 A 02-11-1999 MX PA98007310 A 24-08-2004 US RE38767 E1 02-08-2005 US 5803590 A 08-09-1998 US 5941632 A 24-08-1999 US 6059427 A 09-05-2000 US 6132065 A 17-10-2000 US 6241367 B1 05-06-2001 US 6302564 B1 16-10-2001 US 6419378 B1 16-07-2002 WO 9733125 A2 12-09-1997
-----			