

(12) **United States Design Patent**
Wang

(10) **Patent No.:** **US D1,051,231 S**
(45) **Date of Patent:** **** Nov. 12, 2024**

(54) **PLAYING CARD DEALING MACHINE**

DESCRIPTION

(71) Applicant: **Shaowei Wang**, Hangzhou (CN)

(72) Inventor: **Shaowei Wang**, Hangzhou (CN)

(**) Term: **15 Years**

(21) Appl. No.: **29/951,938**

(22) Filed: **Jul. 12, 2024**

(51) **LOC (14) Cl.** **21-01**

(52) **U.S. Cl.**

USPC **D21/396**

(58) **Field of Classification Search**

USPC D21/396, 392

CPC A63F 1/12; A63F 1/14; A63F 3/00157;

A63F 1/00; A63F 2001/005; A63F 1/18;

A63F 1/067; A63F 2250/58; A63F

2001/003; A63F 2003/00164; A63F 1/10;

A63F 2009/2419; A63F 9/24; A63F 1/06;

A63F 2009/2425; A63F 2001/001; A63F

11/0002; A63F 2001/008; A63F

2009/2457; A63F 2009/2435; A63F

2009/2482; A63F 5/00; A63F 1/02; A63F

13/80; A63F 2009/241; A63F 5/0094;

A63F 2003/0017; A63F 2009/2454; A63F

2009/2458; A63F 1/04; A63F 2009/242;

A63F 1/08; A63F 13/73; A63F

2009/2404; A63F 2009/2411;

(Continued)

(56) **References Cited**

U.S. PATENT DOCUMENTS

D269,628 S * 7/1983 Willette D21/396

D414,527 S * 9/1999 Tedham D21/396

(Continued)

Primary Examiner — George D. Kirschbaum

(74) *Attorney, Agent, or Firm* — Jose Cherson Weissbrot

(57) **CLAIM**

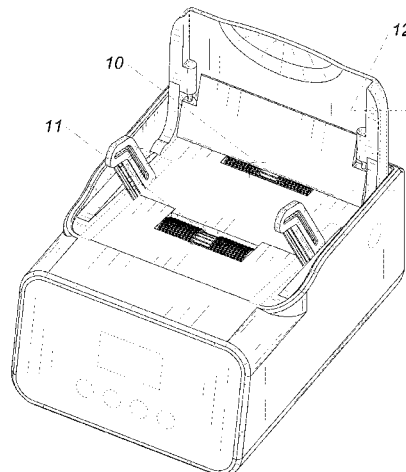
The ornamental design for a playing card dealing machine, as shown and described.

FIG. 1 is a front, right, top perspective view of a playing card dealing machine, showing my new design; FIG. 2 is a rear, left, bottom perspective view thereof; FIG. 3 is a rear, bottom perspective view thereof; FIG. 4 is a front elevational view thereof; FIG. 5 is a rear elevational view thereof; FIG. 6 is a left side view thereof; FIG. 7 is a right side view thereof; FIG. 8 is a top plan view thereof; FIG. 9 is a bottom plan view thereof; FIG. 10 is an enlarged view of detail 10 in FIG. 1; FIG. 11 is an enlarged view of detail 11 in FIG. 1; FIG. 12 is an enlarged view of detail 12 in FIG. 1; FIG. 13 is an enlarged view of detail 13 in FIG. 2; FIG. 14 is an enlarged view of detail 14 in FIG. 3; FIG. 15 is an enlarged view of detail 15 in FIG. 3; FIG. 16 is an enlarged view of detail 16 in FIG. 3; FIG. 17 is an enlarged view of detail 17 in FIG. 4; FIG. 18 is an enlarged view of detail 18 in FIG. 6; FIG. 19 is an enlarged view of detail 19 in FIG. 8; FIG. 20 is an enlarged view of detail 20 in FIG. 8; FIG. 21 is an enlarged view of detail 21 in FIG. 8; FIG. 22 is an enlarged view of detail 22 in FIG. 8; FIG. 23 is a rear, left, top perspective view of the playing card dealing machine in an alternate configuration; FIG. 24 is an enlarged view of detail 24 in FIG. 23; FIG. 25 is an enlarged view of detail 25 in FIG. 23; and, FIG. 26 is an enlarged view of detail 26 in FIG. 23.

The dashed broken lines in the figures are for the purposes of illustrating portions of the playing card dealing machine and form no part of the claimed design.

The short-short-long dashed broken lines immediately adjacent to the claimed areas in the views represent the boundaries of the design and form no part of the claimed design. The dash-dot-dash broken lines are for notating enlarged views and form no part of the claimed design.

1 Claim, 24 Drawing Sheets



(58) **Field of Classification Search**

CPC .. A63F 3/081; A63F 13/87; A63F 9/04; A63F 2001/0425; A63F 2009/2488; A63F 2250/285; A63F 1/062; A63F 13/35; A63F 2001/027; A63F 5/046; A63F 13/00; A63F 2001/0475; A63F 2003/00167; A63F 2250/287; A63F 3/0605; A63F 2009/2445; A63F 2009/2489; A63F 5/0088; A63F 7/048; A63F 2009/0609; A63F 2300/00; A63F 11/0011; A63F 13/98; A63F 2009/246; A63F 2250/1021; A63F 5/0005; A63F 9/0406; A63F 13/216; A63F 13/30; A63F 13/352; A63F 2003/066; A63F 2007/3674; A63F 2007/3677; A63F 2009/2402; A63F 2009/2455; A63F 2009/2494; A63F 5/045; A63F 13/2145; A63F 2009/0087; A63F 2009/009; A63F 2009/0092; A63F 2009/2442; A63F 2009/2452; A63F 2250/483; A63F 2300/206; A63F 3/00; A63F 3/00643; A63F 3/062; A63F 3/0645; A63F 5/043; A63F 9/0468; A63F 9/20; A63F 13/23; A63F 13/25; A63F 13/47; A63F 2001/022; A63F 2001/0441; A63F 2003/00943; A63F 2003/00981; A63F 2003/00996; A63F 2009/0408; A63F 2009/0411; A63F 2009/0473; A63F 2009/0475; A63F 2009/0484; A63F 2009/2492; A63F 2009/2497; A63F 2300/1075; A63F 2300/532; A63F 3/0421; A63F 5/02; A63F 7/26; A63F 11/0051; A63F 13/211; A63F 13/213; A63F 13/235; A63F 13/31; A63F 13/355; A63F 13/69; A63F 13/71; A63F 13/90; A63F 13/95; A63F 2001/0491; A63F 2003/00034; A63F 2003/00107; A63F 2003/0016; A63F 2003/00302; A63F 2003/00599; A63F 2003/00955; A63F 2009/0064; A63F 2009/2413; A63F 2009/2423; A63F 2009/2433; A63F 2011/0006; A63F 2011/0058; A63F 2250/1078; A63F 2250/1094; A63F 2250/14; A63F 2250/142; A63F 2250/164; A63F 2250/183; A63F 2250/485; A63F 2250/488; A63F 2250/60; A63F 2250/601; A63F 2250/602; A63F 2250/604; A63F 2250/605; A63F 2300/1025; A63F 2300/1043; A63F 2300/105; A63F

2300/1068; A63F 2300/1087; A63F 2300/407; A63F 2300/535; A63F 2300/80; A63F 3/00031; A63F 3/00895; A63F 5/04; A63F 9/0402; A63F 9/0413

See application file for complete search history.

(56)

References Cited

U.S. PATENT DOCUMENTS

D432,588	S *	10/2000	Tedham	D21/396
D485,314	S *	1/2004	Collins	D21/396
D488,193	S *	4/2004	Girard	D21/396
D490,481	S *	5/2004	Hessing	D21/396
D506,395	S *	6/2005	Coles	D21/396
D578,577	S *	10/2008	Toyama	D21/396
D615,600	S *	5/2010	Scheper	D21/396
8,342,526	B1 *	1/2013	Sampson	A63F 1/12 273/149 R
D695,357	S	12/2013	Shigeta		
D713,473	S	9/2014	Kuo		
9,138,635	B1 *	9/2015	Sines	A63F 1/12
D764,599	S	8/2016	Tedham		
D766,378	S	9/2016	Miller		
D787,608	S	5/2017	Blaylock, Sr.		
9,643,078	B1 *	5/2017	Sines	A63F 1/12
D798,958	S	10/2017	Tseng		
D802,056	S	11/2017	Fink		
D808,468	S	1/2018	Merati		
10,709,962	B1 *	7/2020	Riordan	A63F 1/12
D892,219	S *	8/2020	Rynda	D21/300
D895,022	S *	9/2020	DeGregorio	D21/396
D895,023	S *	9/2020	DeGregorio	D21/396
D895,735	S *	9/2020	DeGregorio	D21/396
D900,940	S	11/2020	Wu		
D995,648	S	8/2023	Zhou		
D1,004,708	S *	11/2023	Liang	D21/396
D1,012,191	S *	1/2024	Liang	D21/396
D1,013,049	S *	1/2024	Cai	D21/396
D1,029,946	S *	6/2024	Geng	D21/392
D1,035,778	S *	7/2024	Huang	D21/396
2006/0181022	A1 *	8/2006	Grauzer	A63F 1/12 273/149 R
2008/0006997	A1 *	1/2008	Scheper	A63F 1/10 273/149 R
2009/0314188	A1 *	12/2009	Toyama	A63F 1/12 248/224.7
2013/0026709	A1 *	1/2013	Sampson	A63F 1/14 273/149 R
2020/0171375	A1 *	6/2020	Litman	A63F 1/12
2021/0369889	A1 *	12/2021	Fekete	A63F 1/06
2022/0395743	A1 *	12/2022	Greene	A63F 1/12
2022/0409985	A1 *	12/2022	Rynda	A63F 1/12
2023/0142919	A1 *	5/2023	Liang	A63F 1/14 273/149 R
2024/0009547	A1 *	1/2024	Oeding	A63F 1/12
2024/0165492	A1 *	5/2024	Riordan	A63F 1/12

* cited by examiner

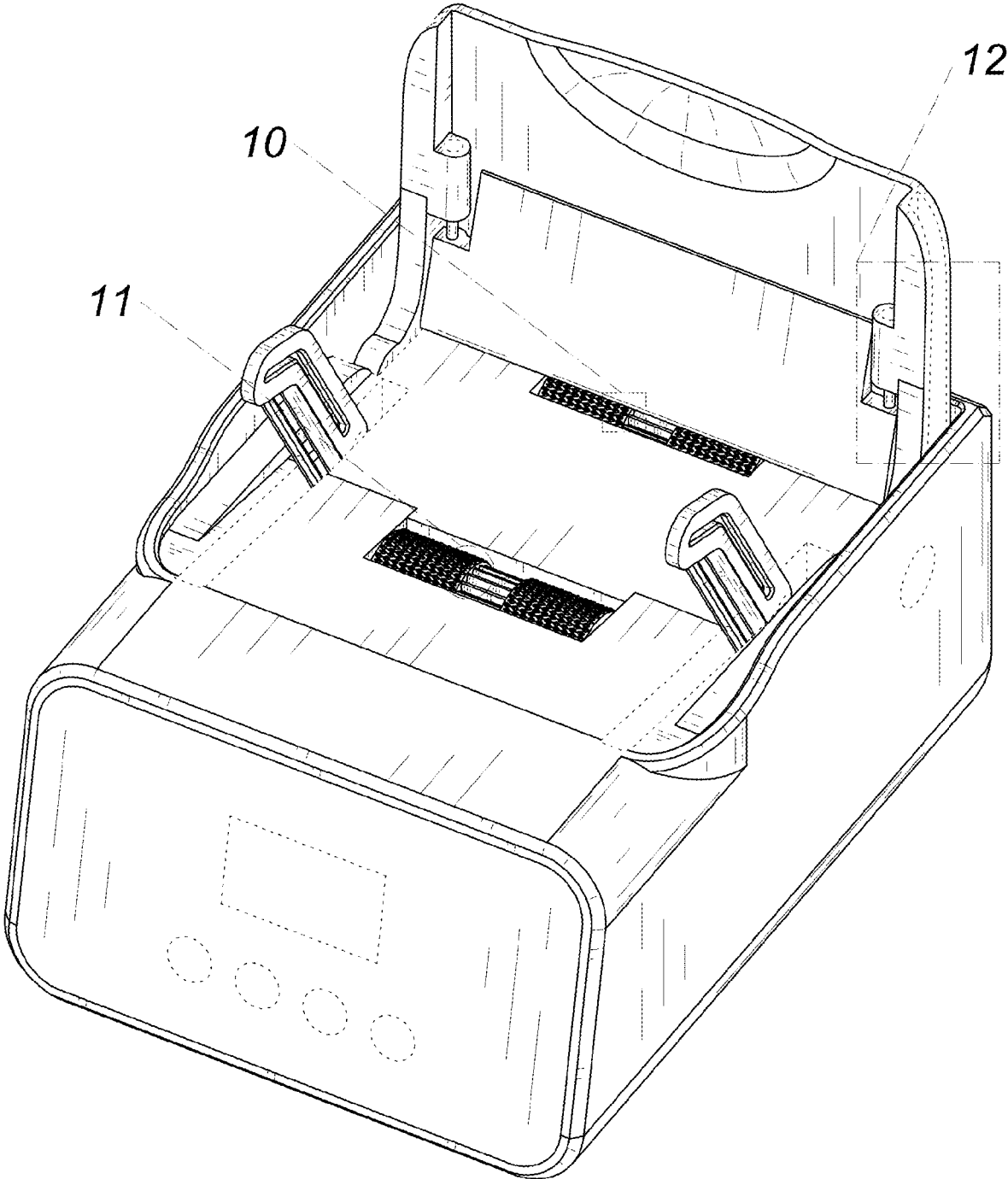


FIG. 1

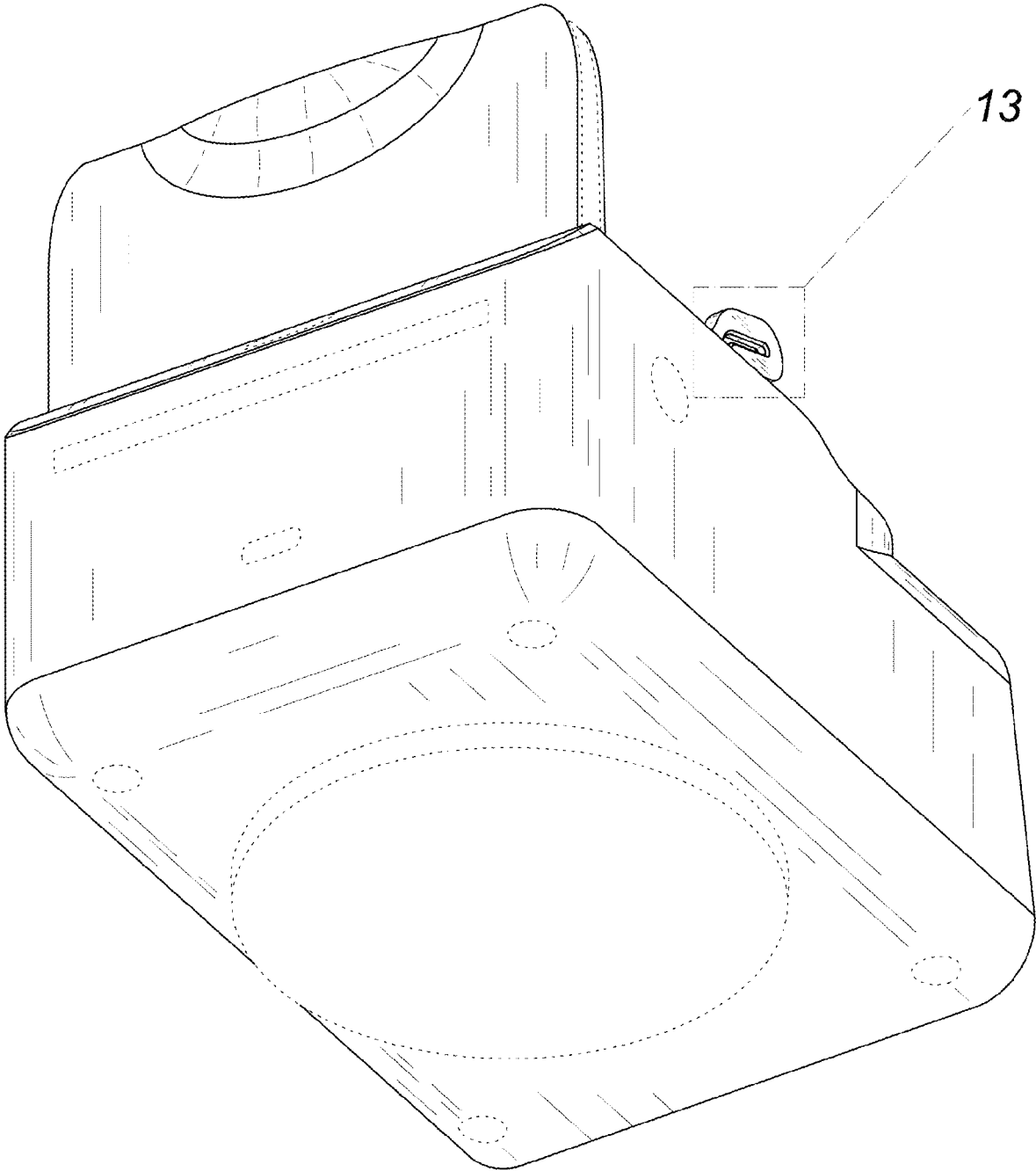


FIG. 2

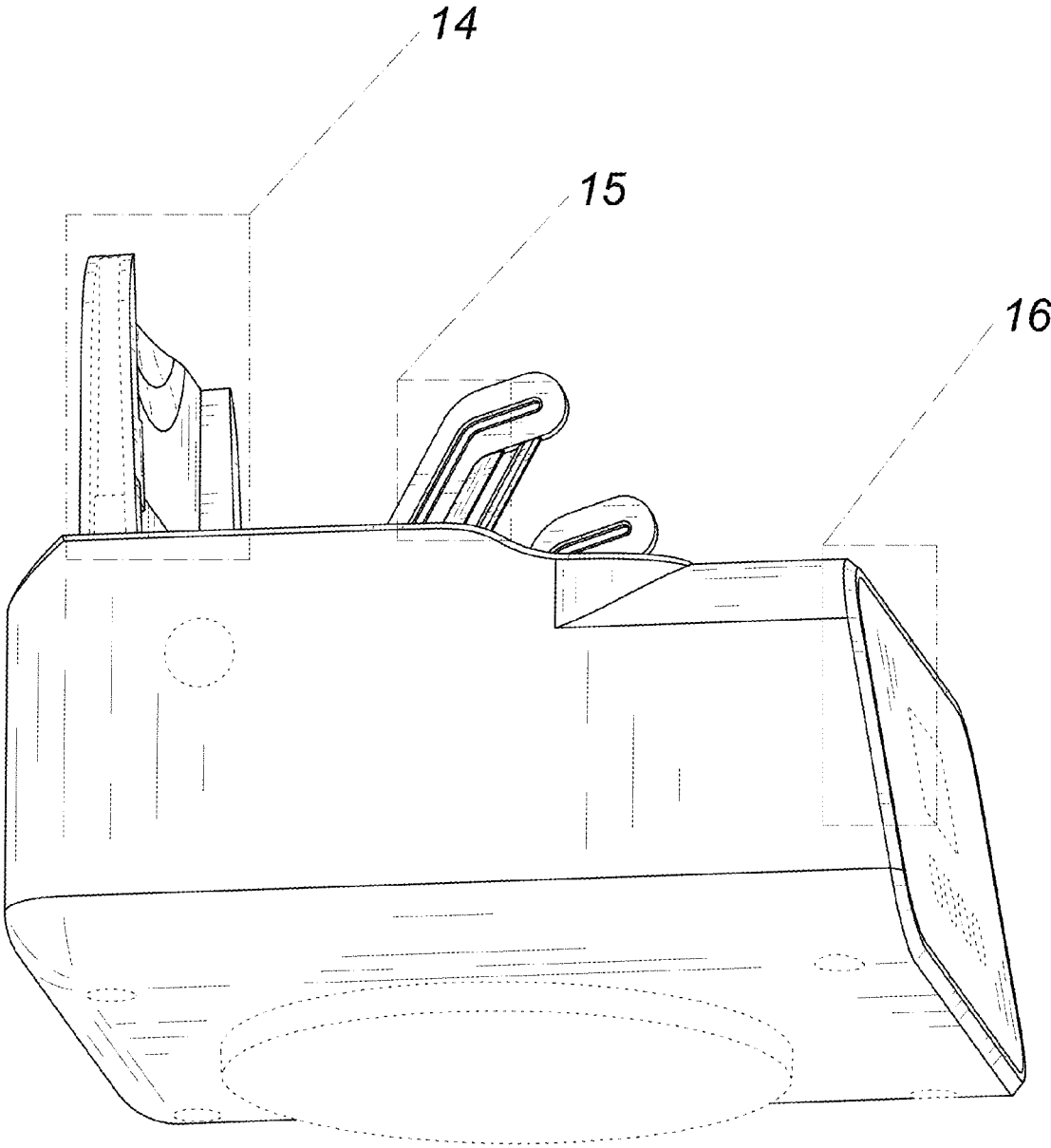


FIG.3

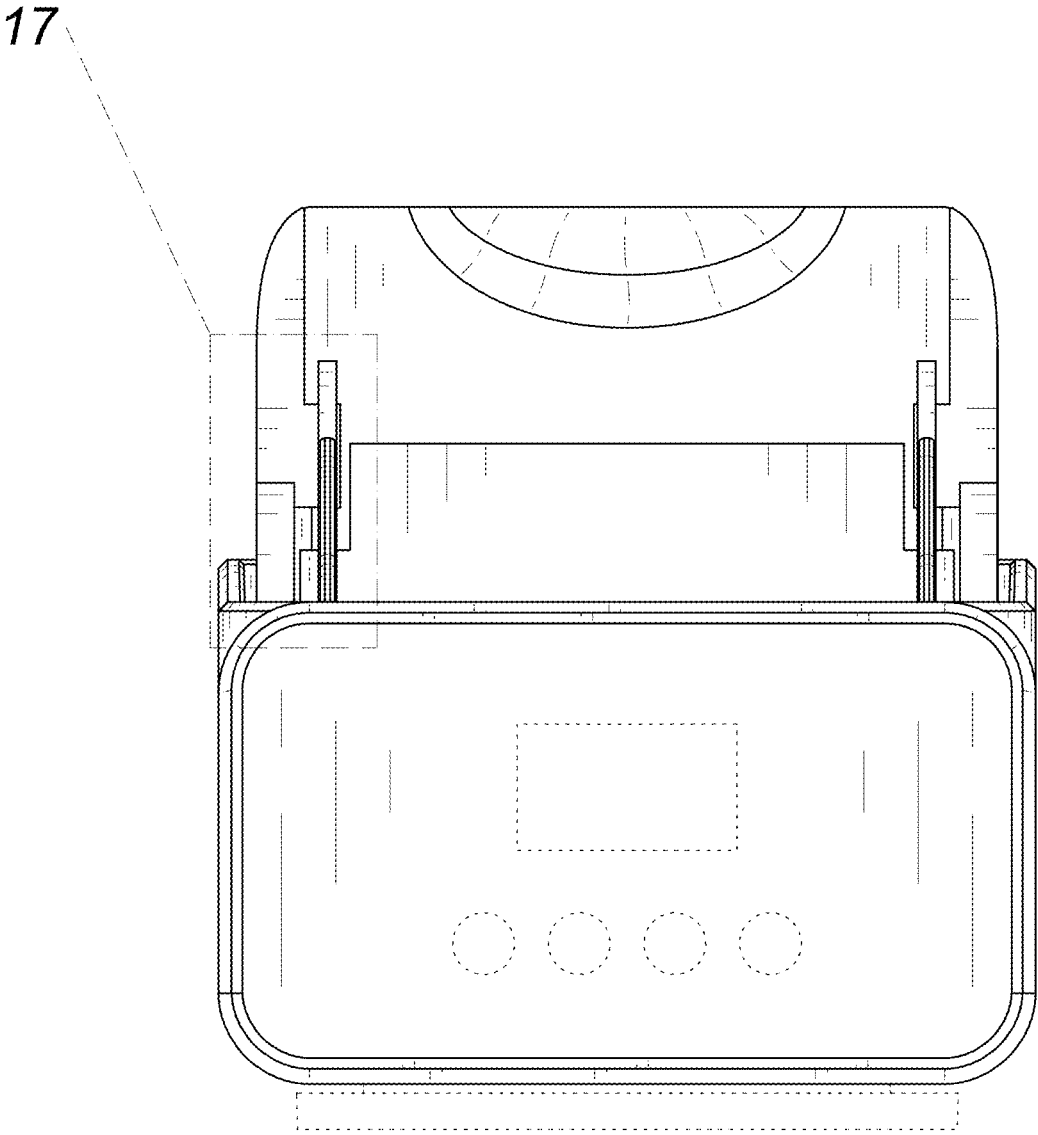


FIG. 4

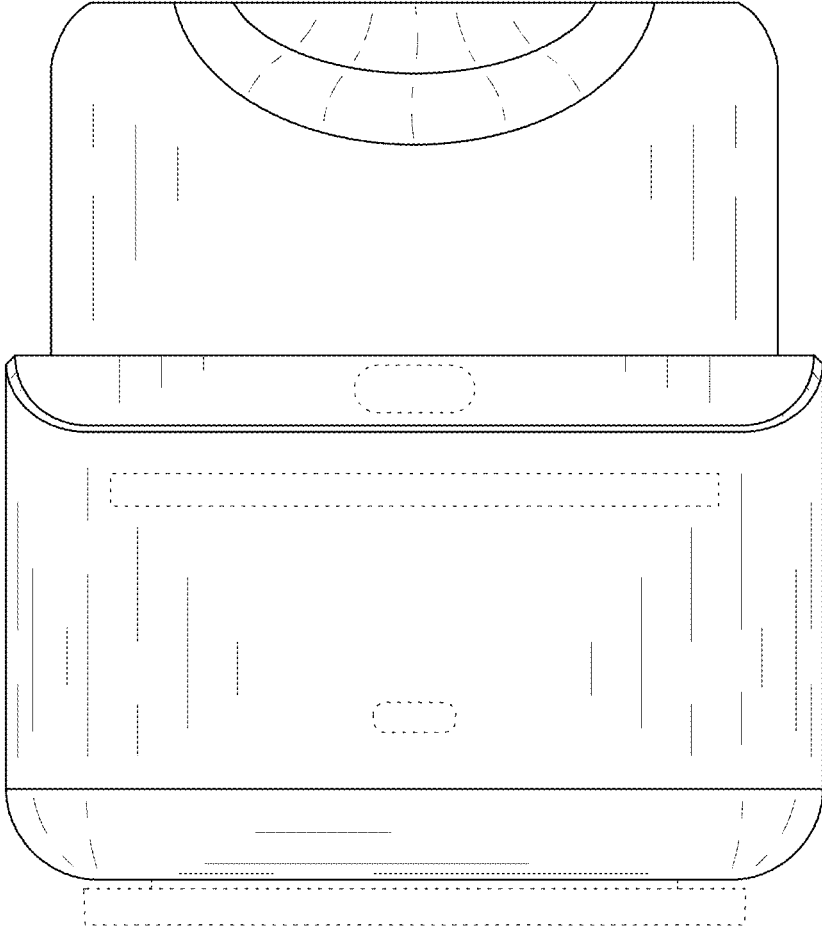


FIG.5

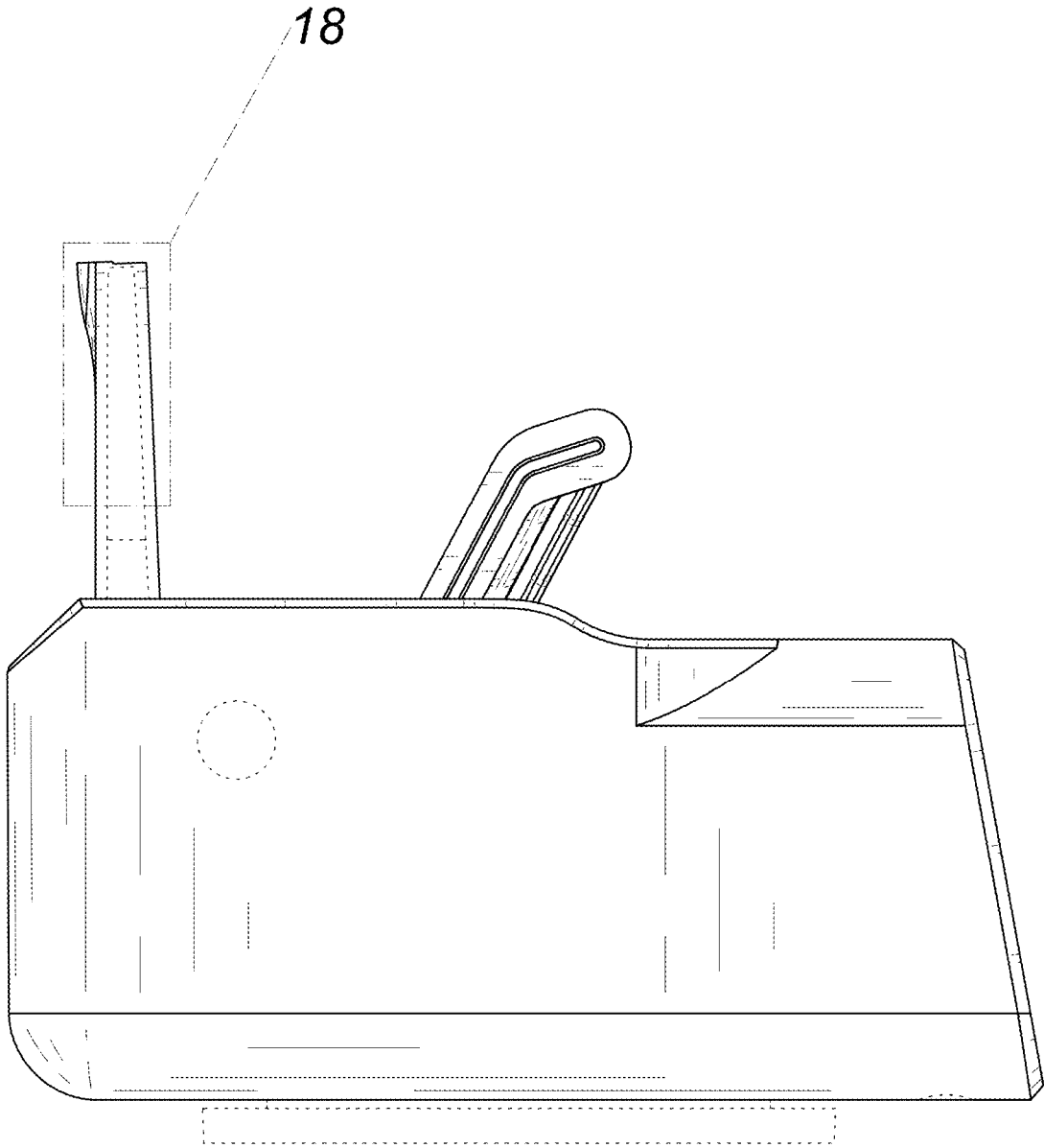


FIG. 6

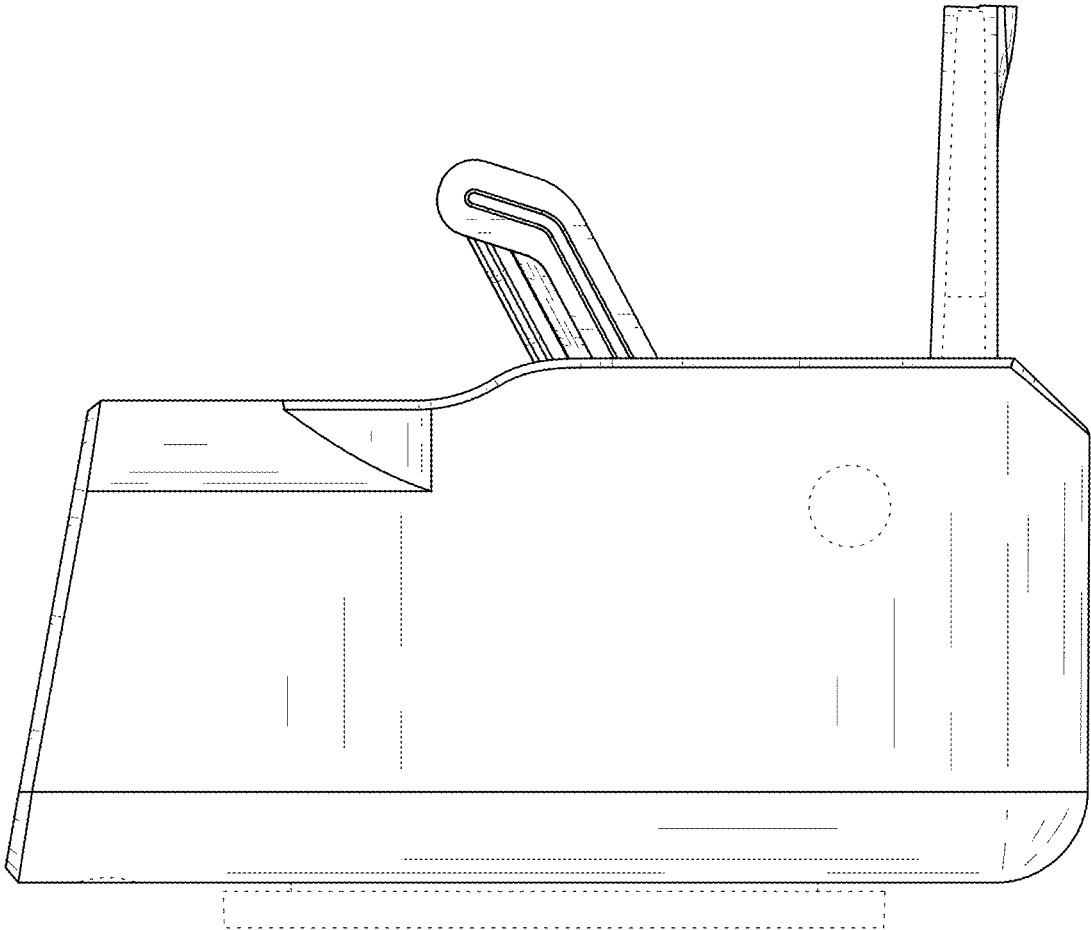


FIG. 7

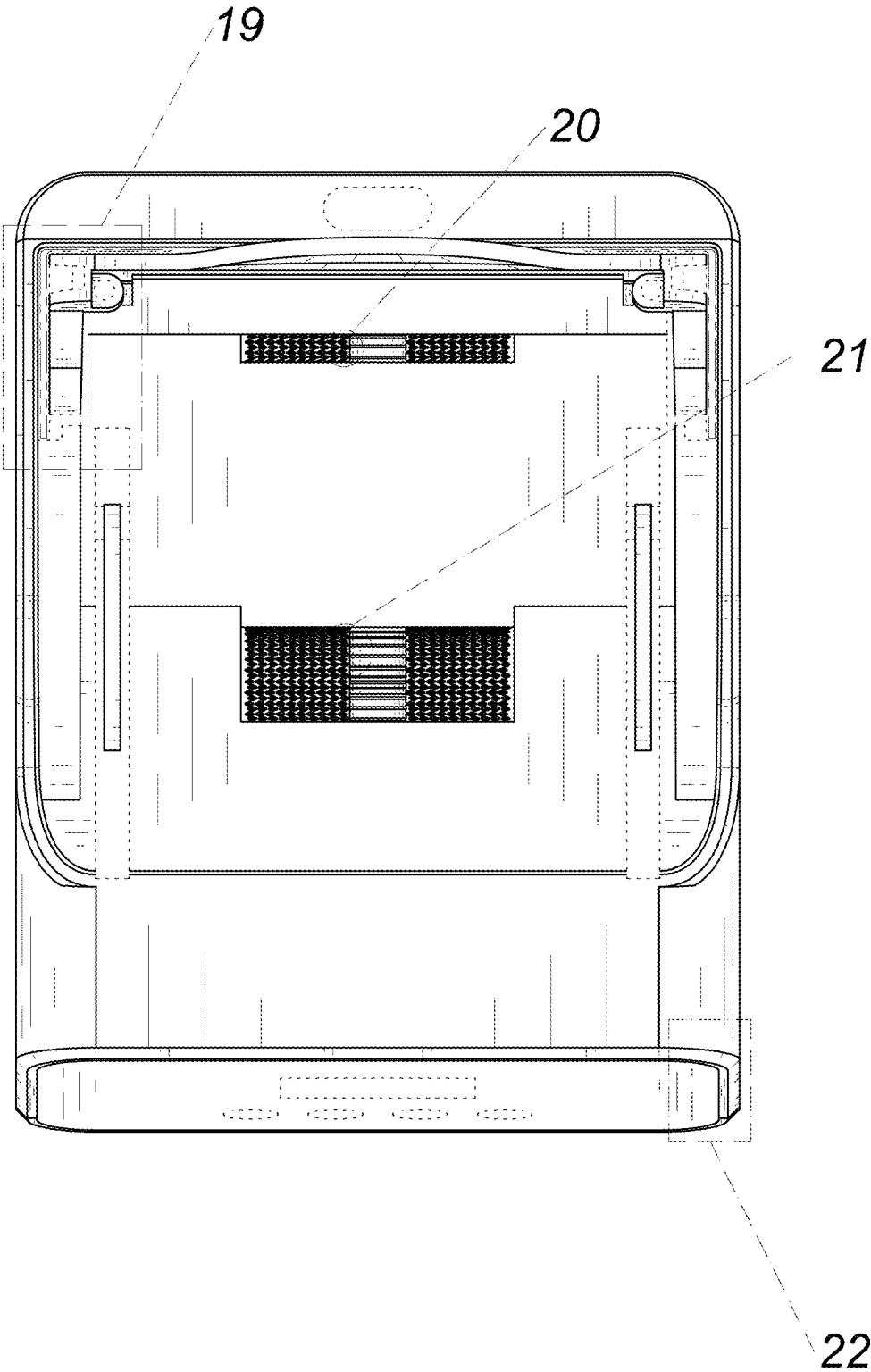


FIG. 8

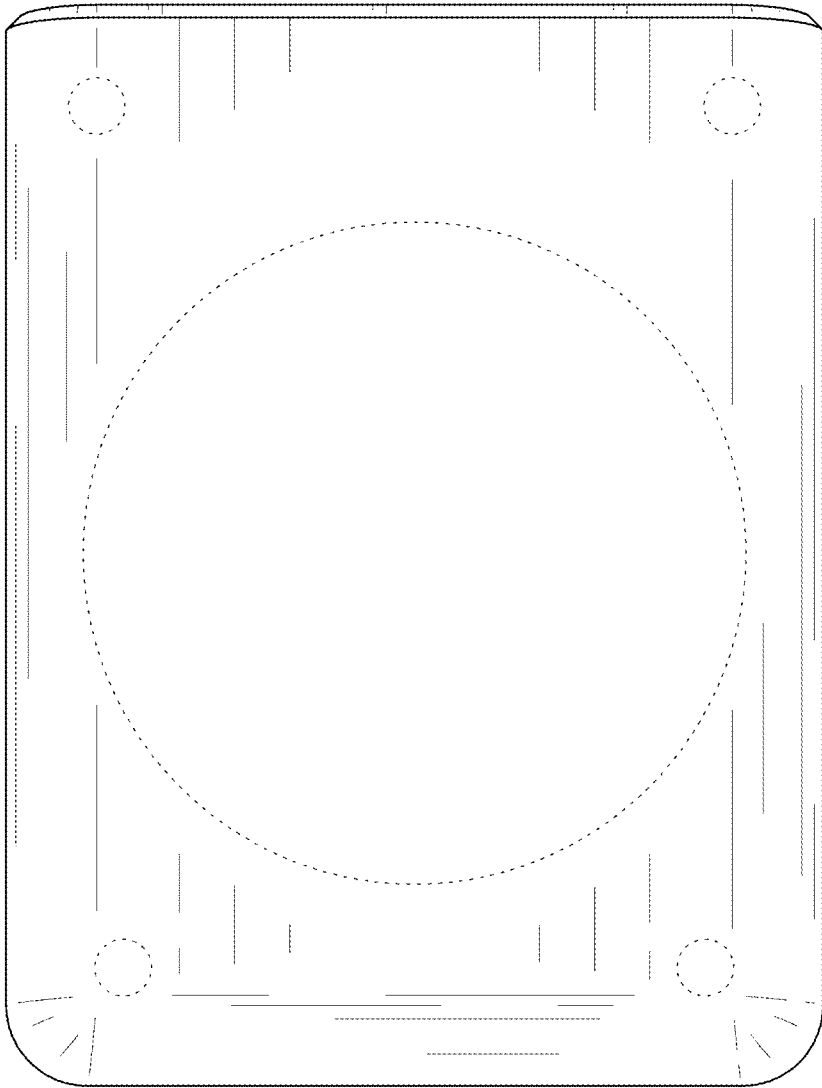


FIG.9

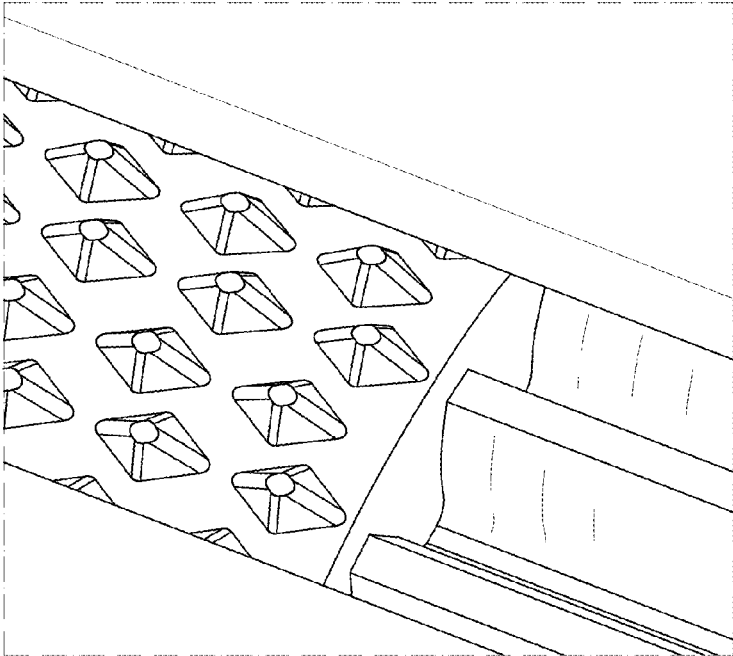


FIG. 10

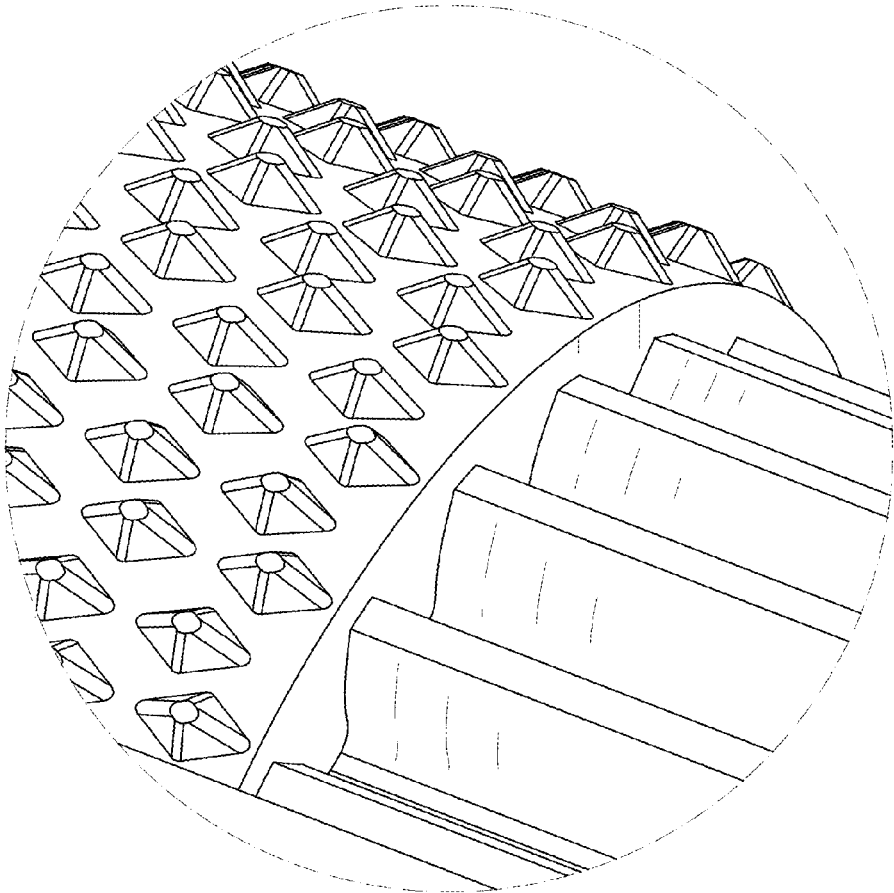


FIG. 11

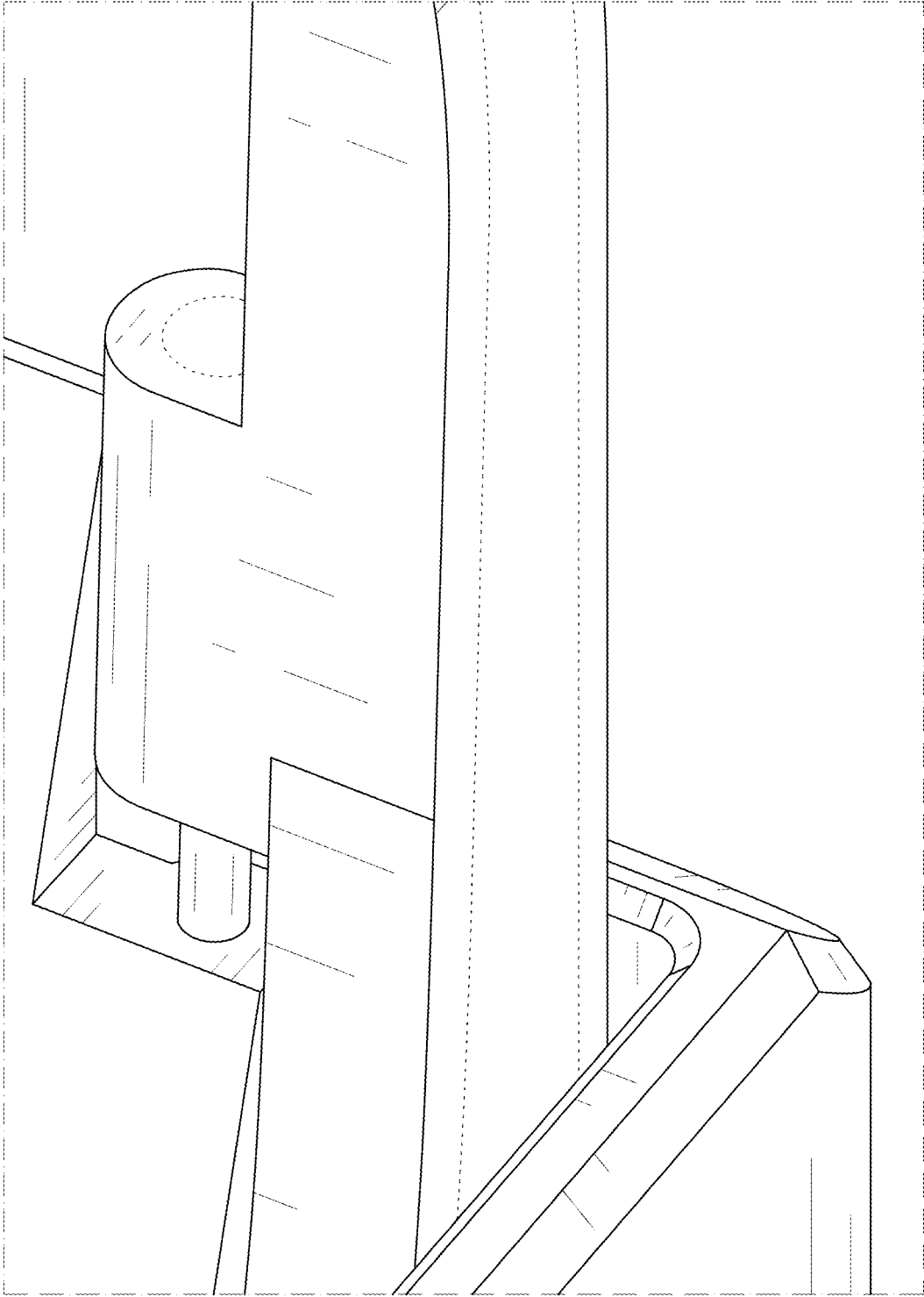


FIG.12

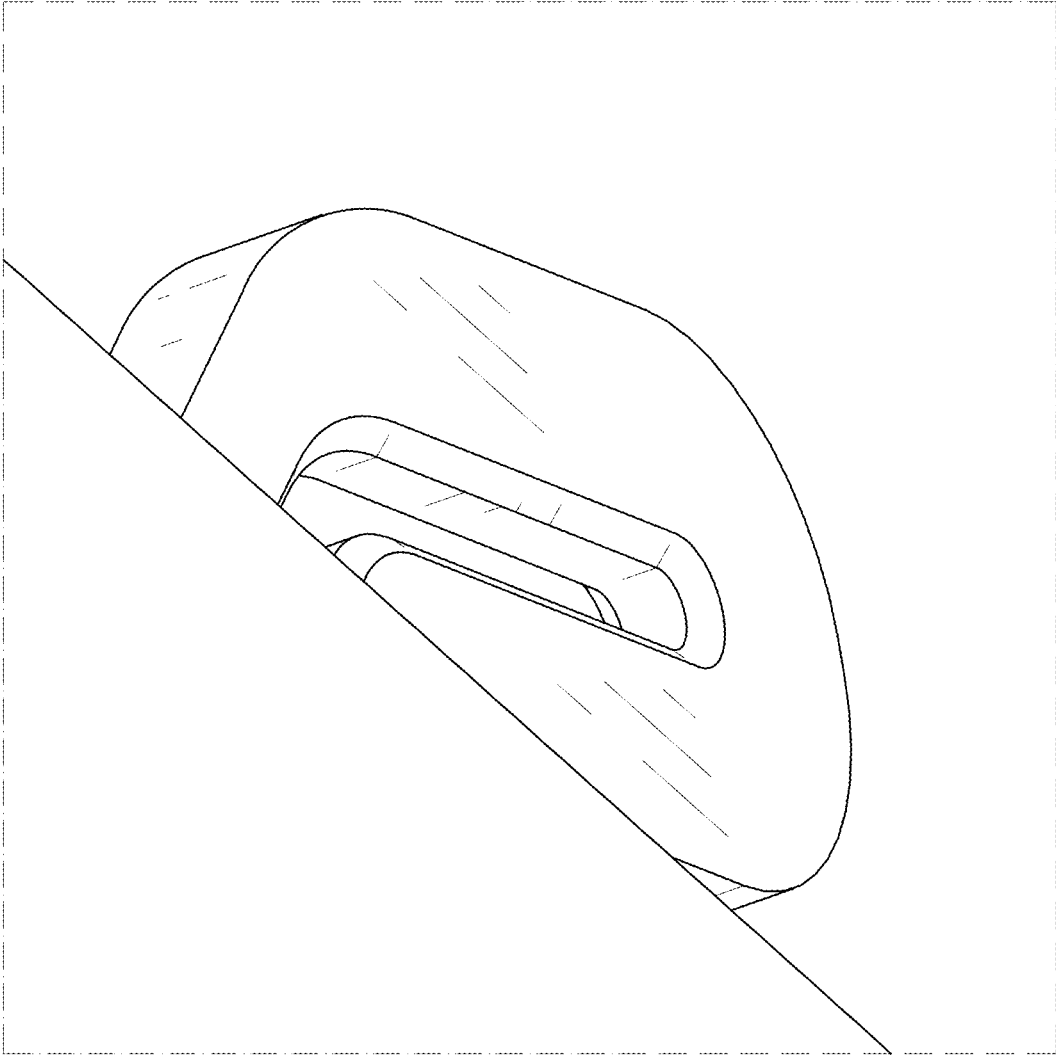


FIG.13

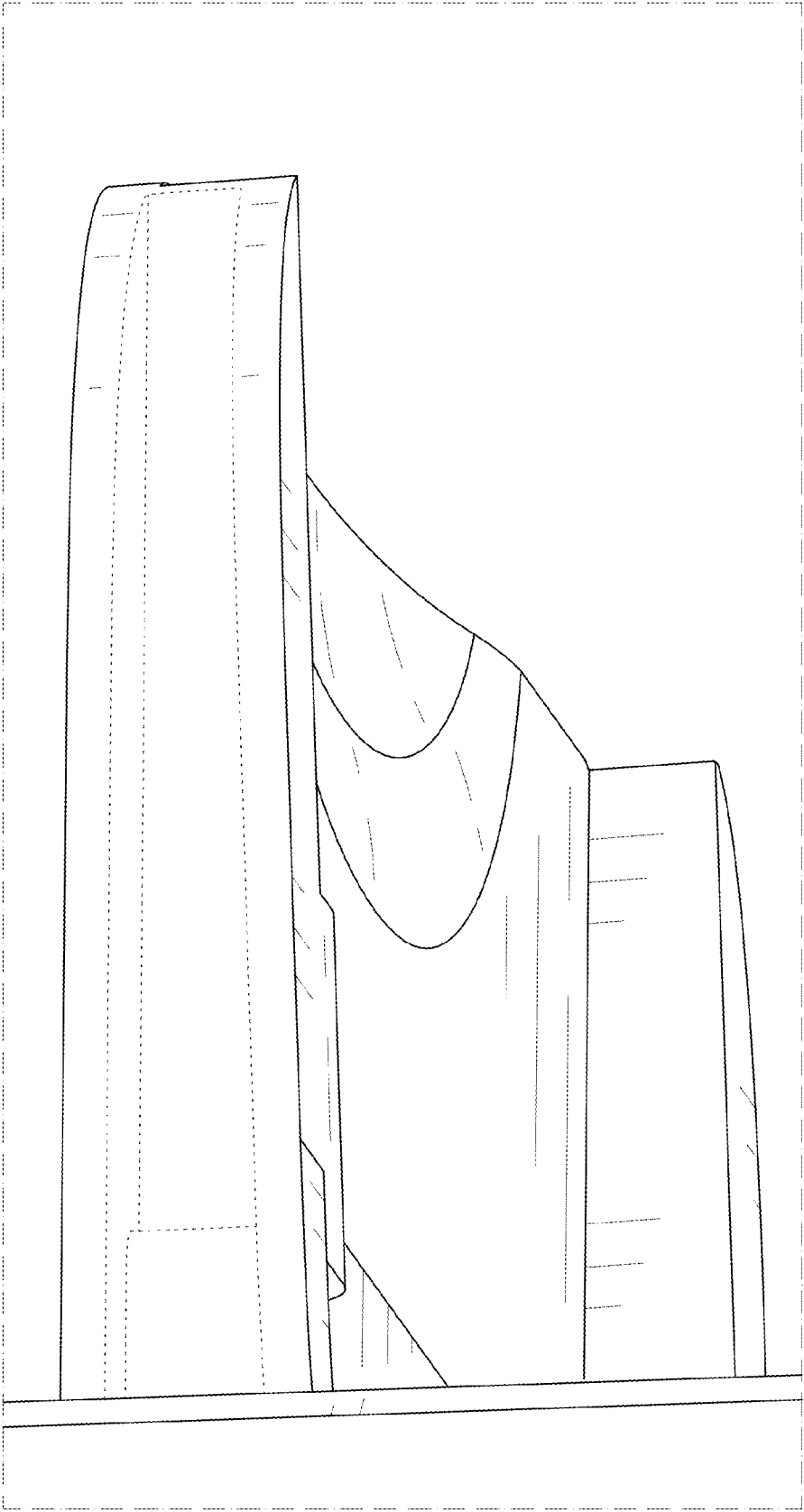


FIG.14

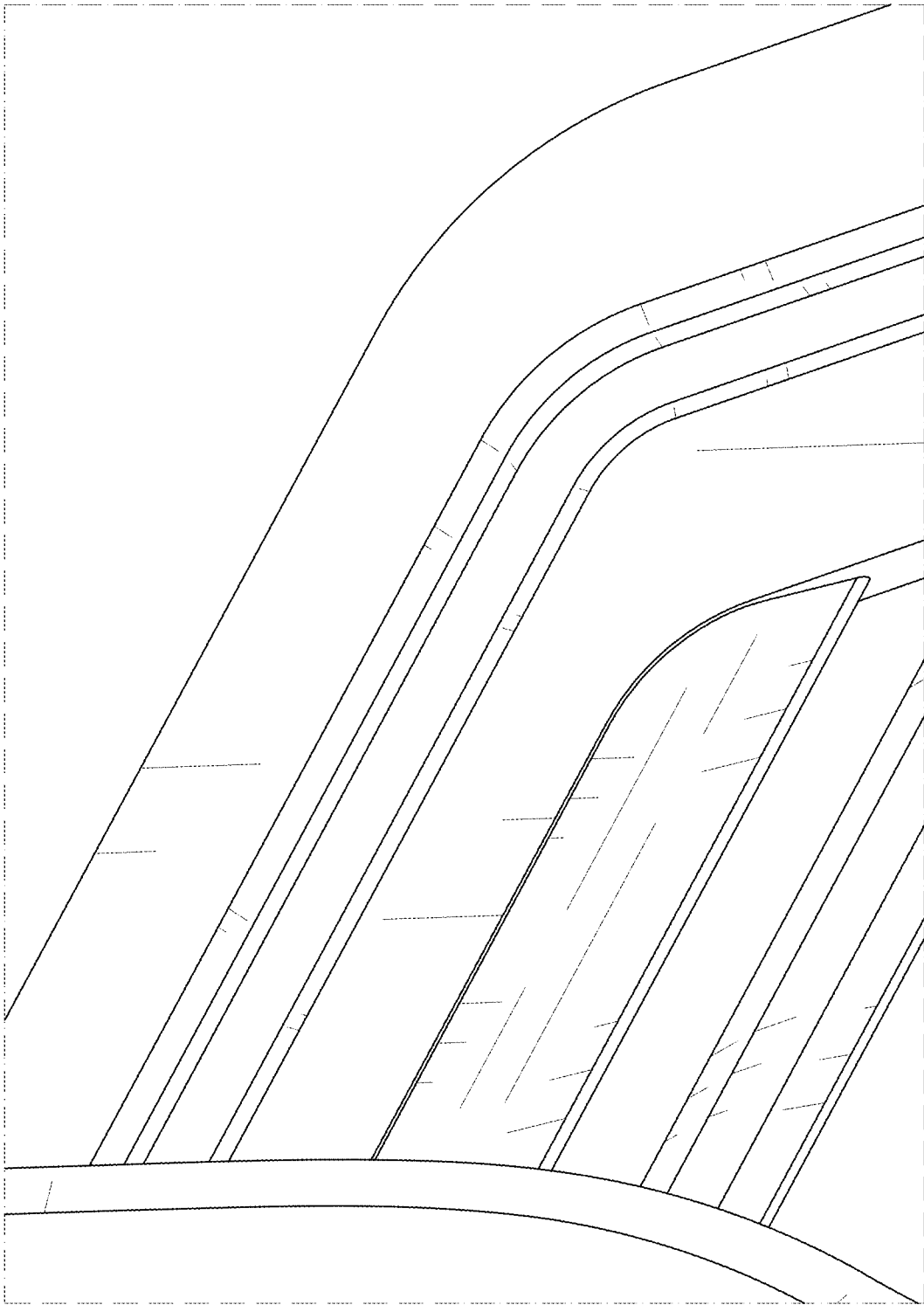


FIG. 15

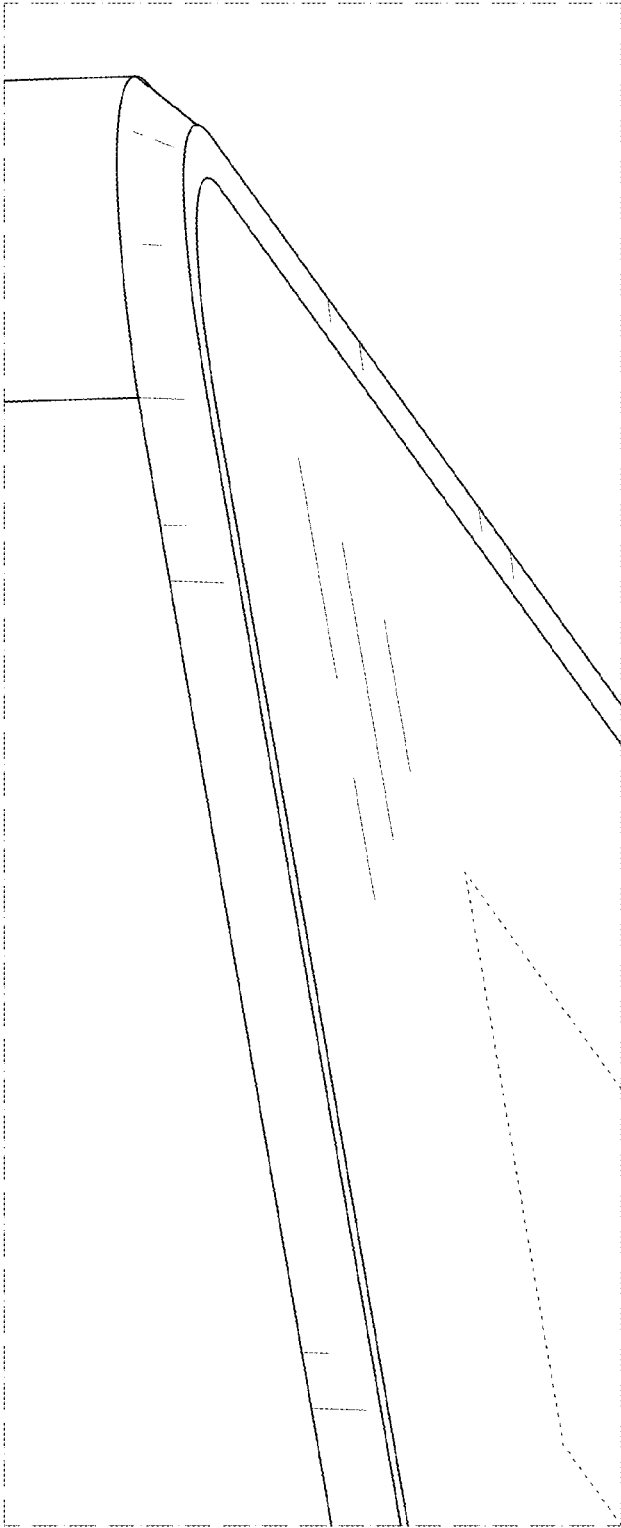


FIG.16

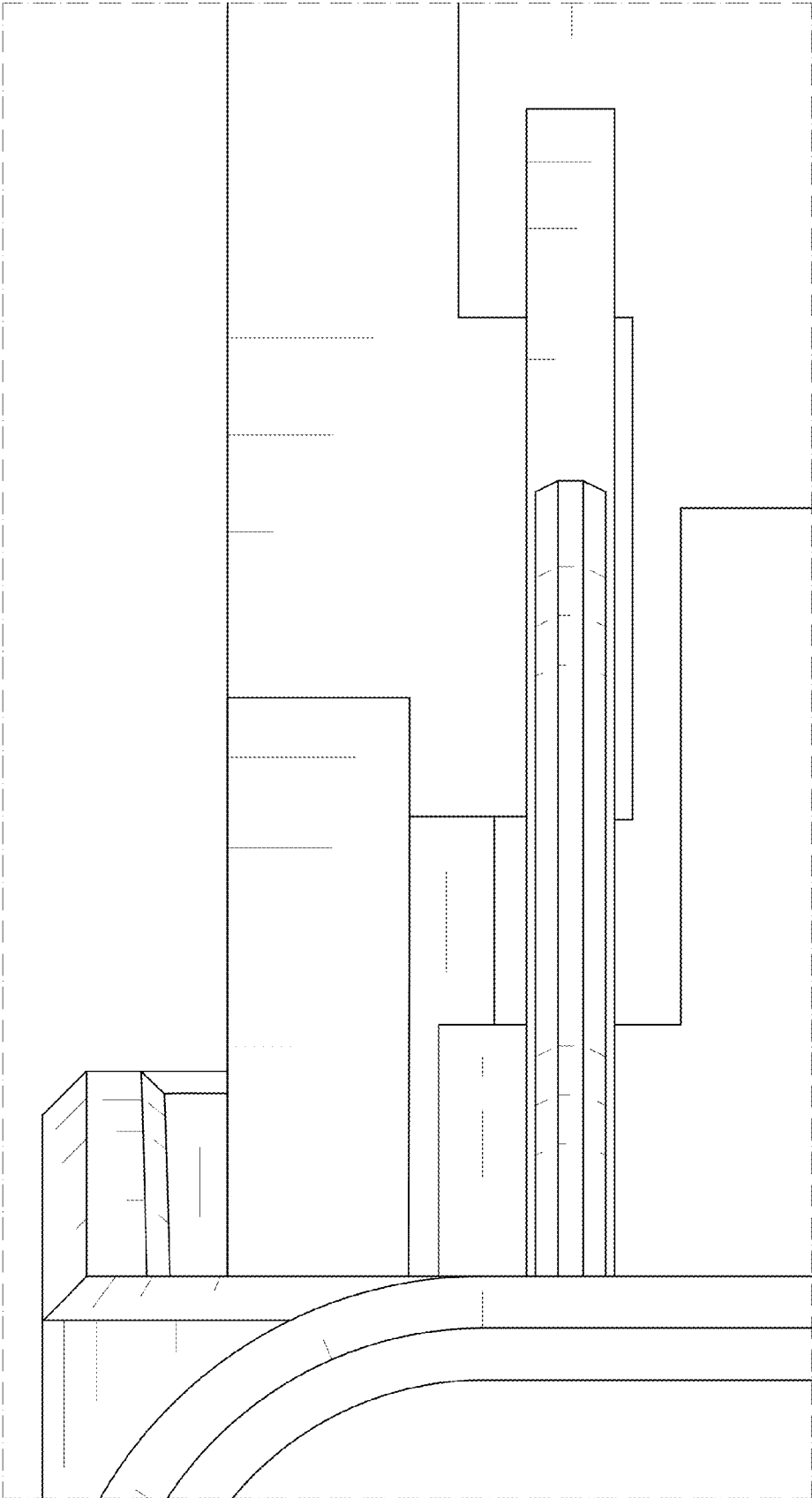


FIG. 17

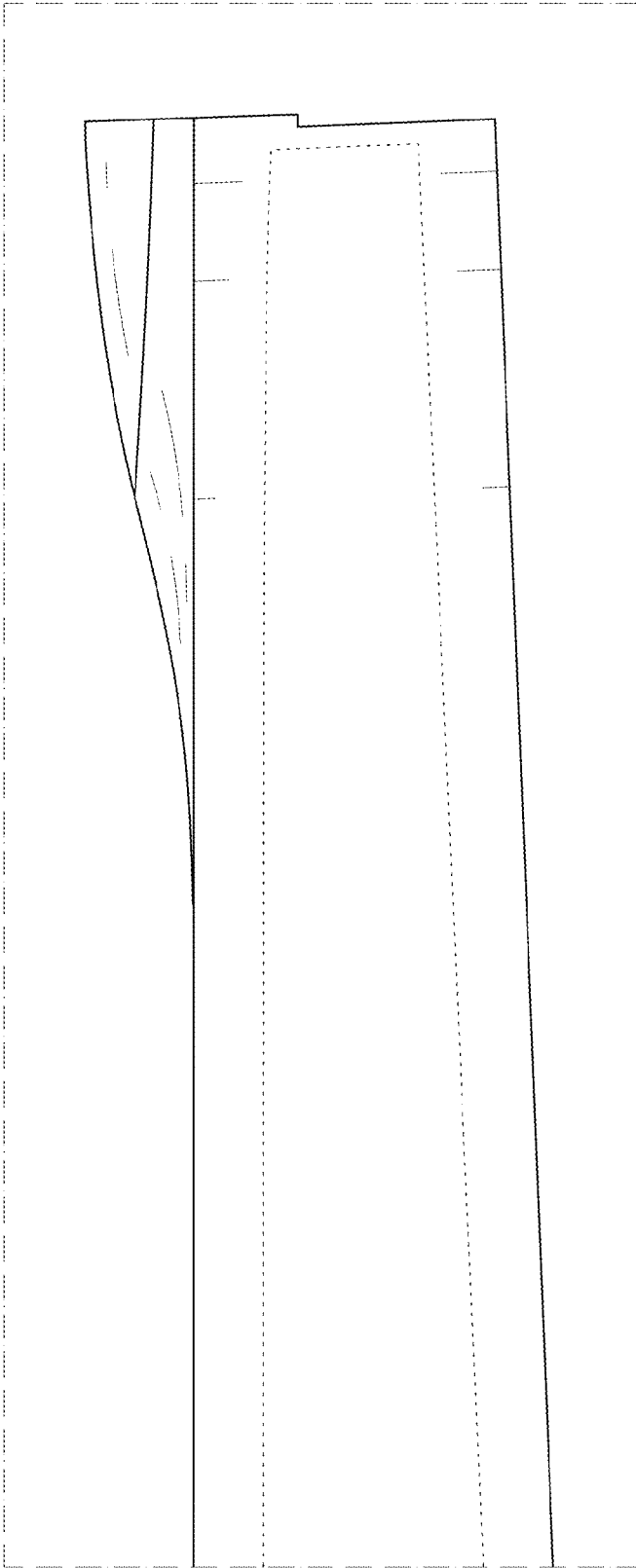


FIG. 18

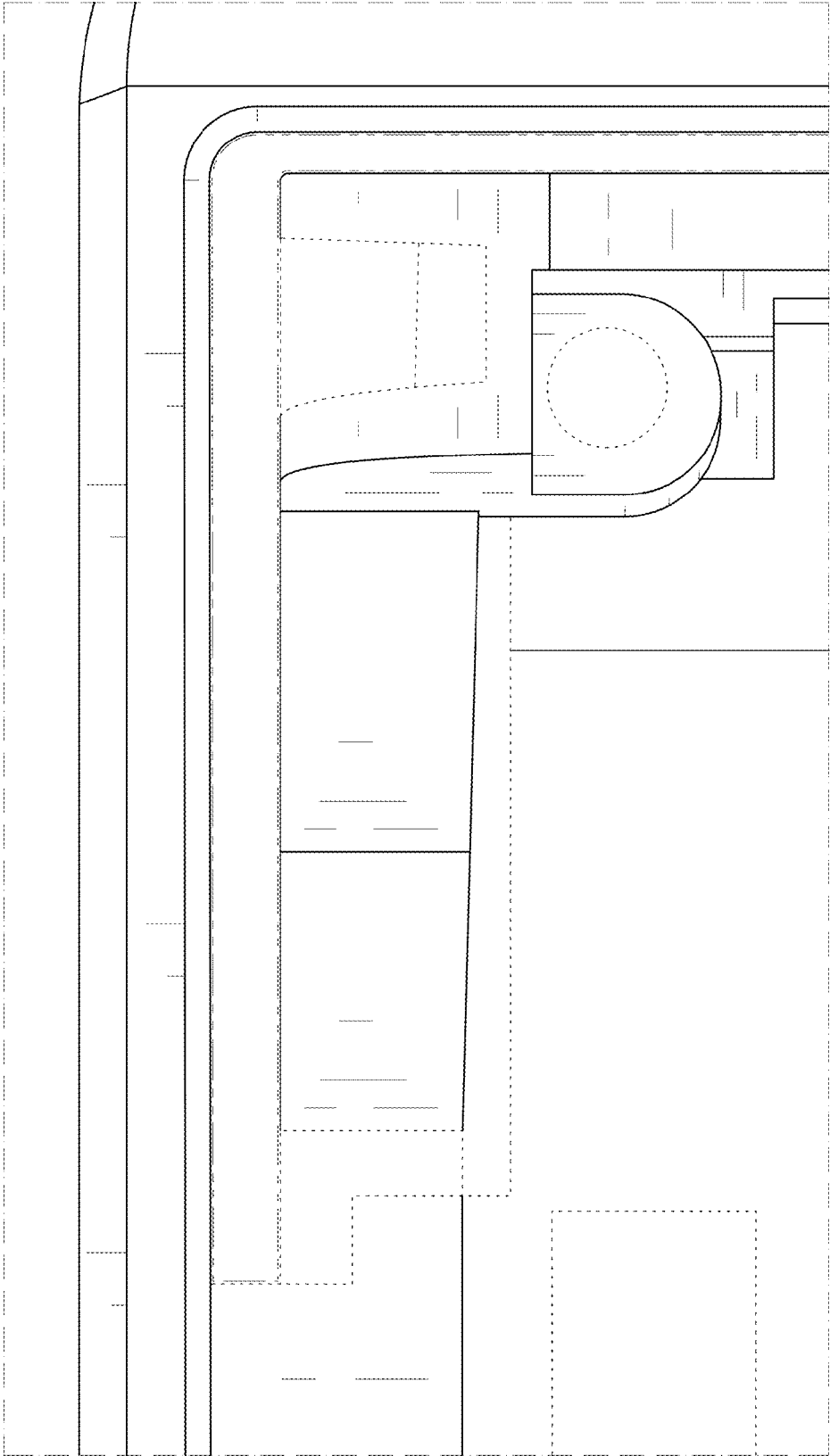


FIG. 19

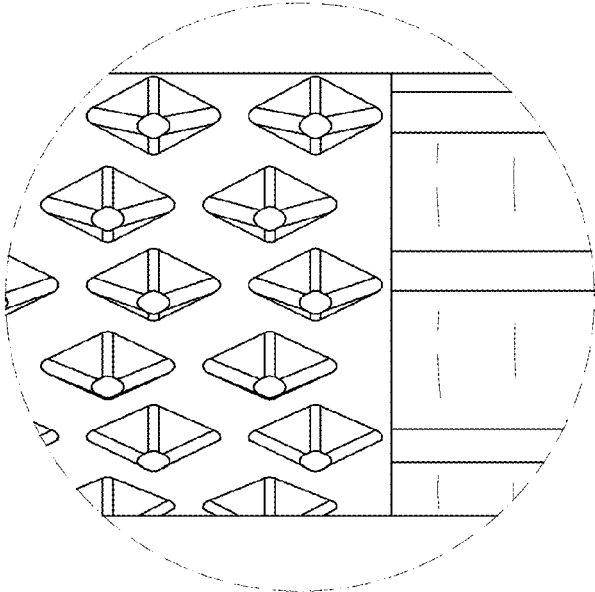


FIG. 20

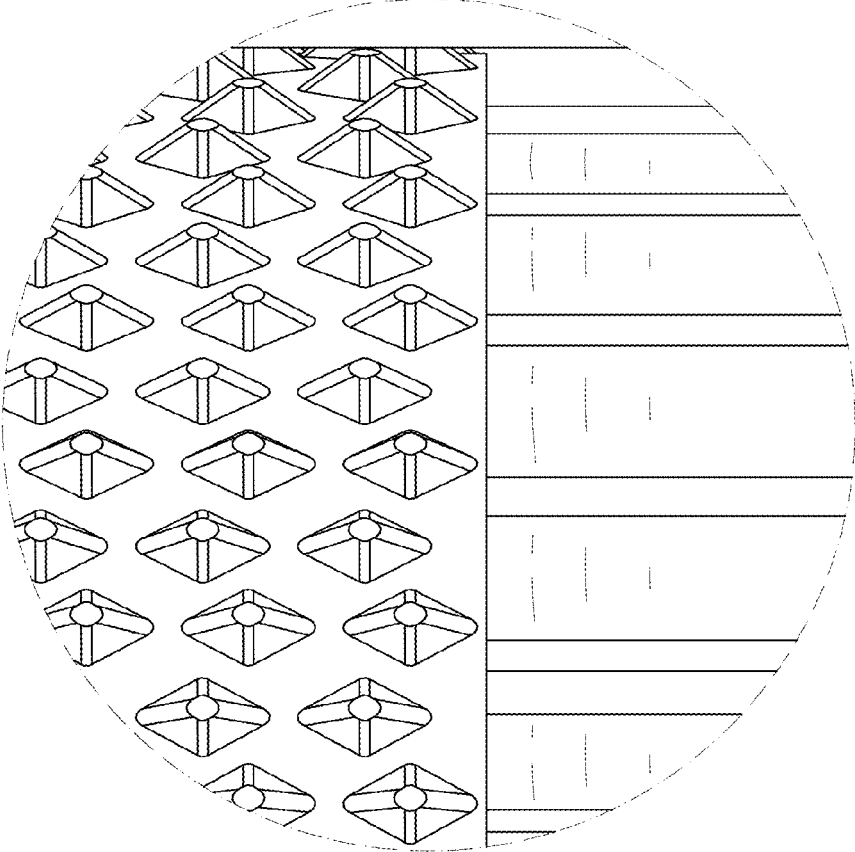


FIG. 21

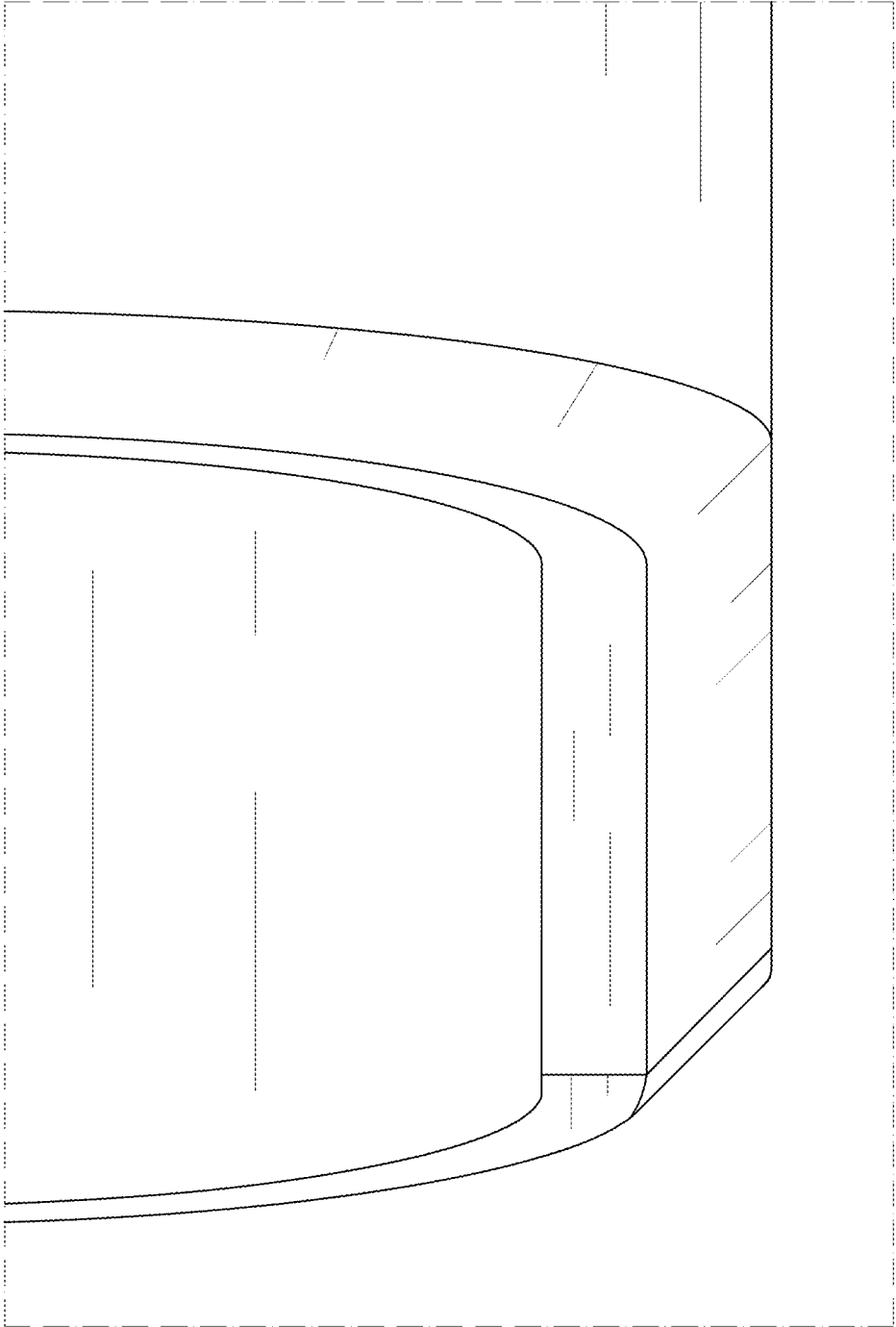


FIG. 22

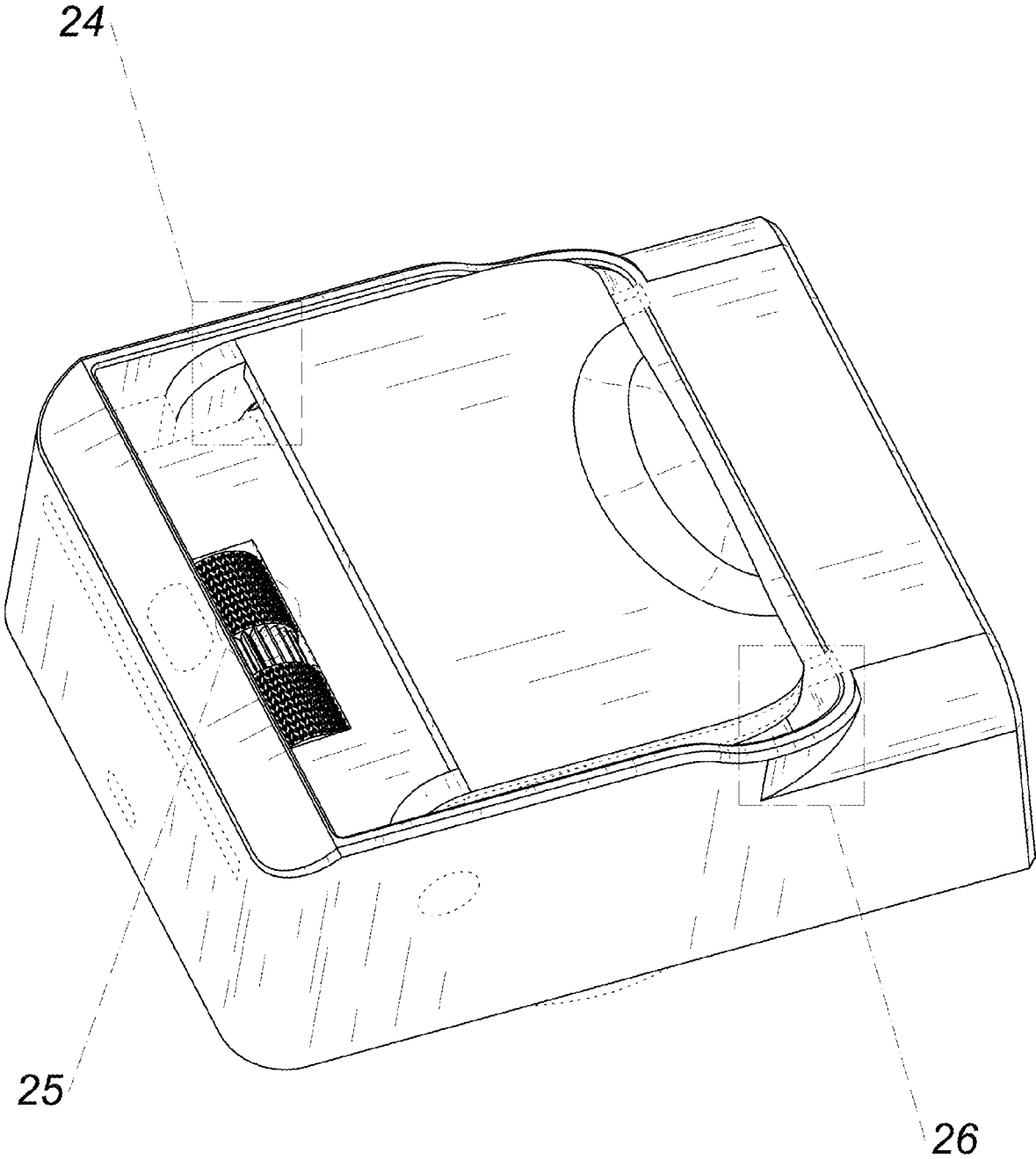


FIG. 23

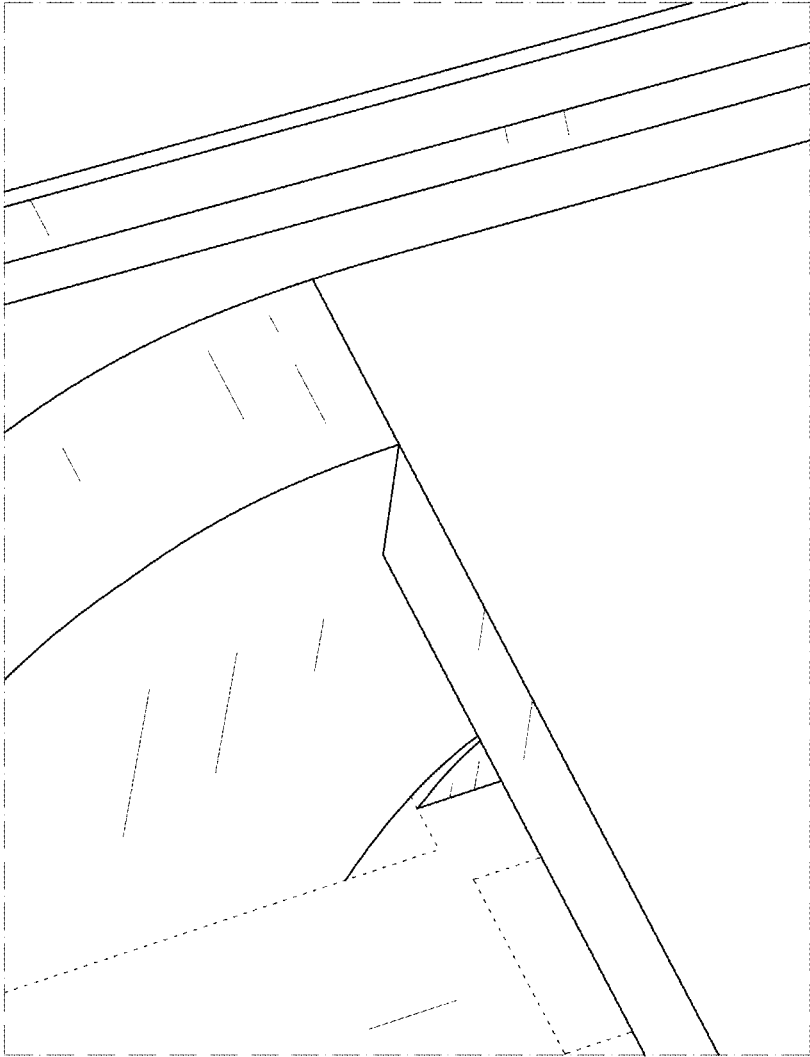


FIG.24

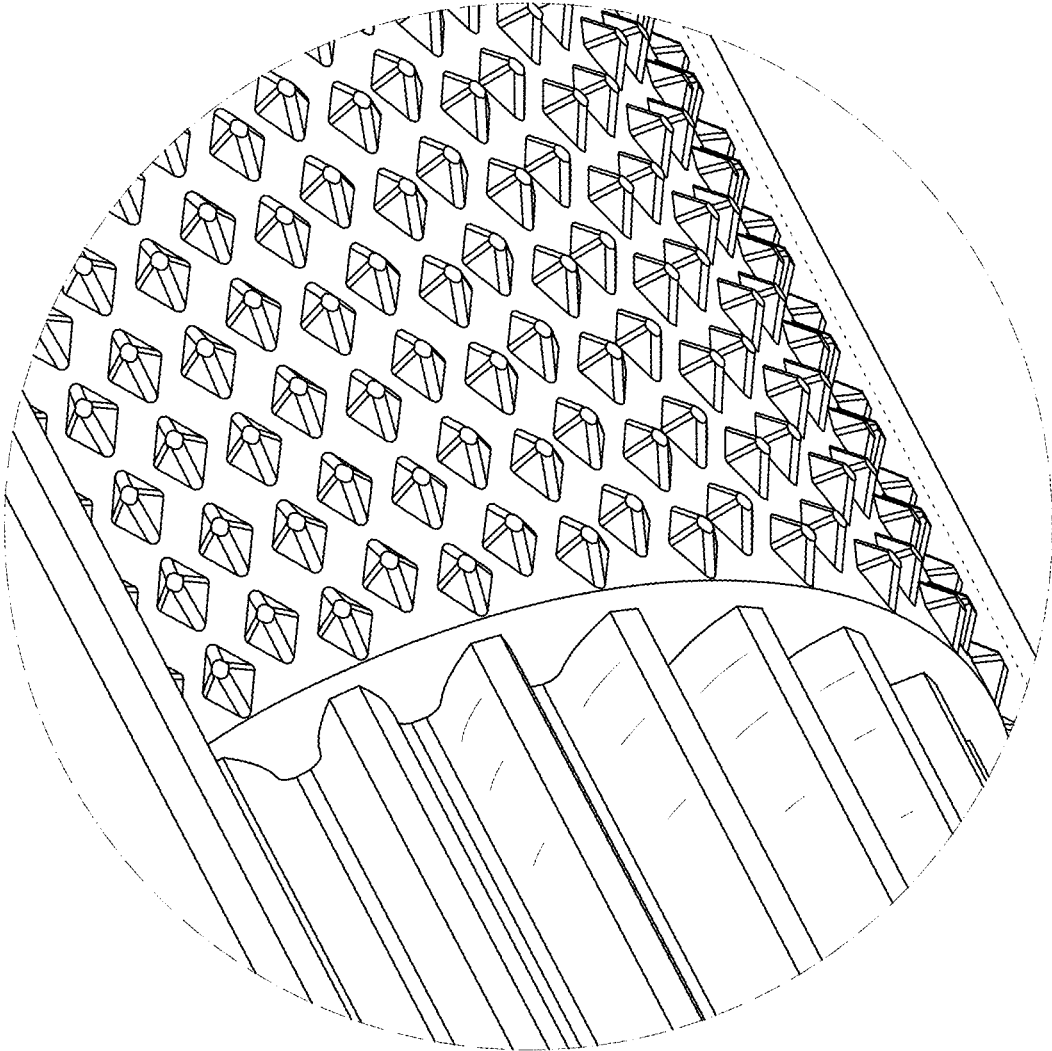


FIG. 25

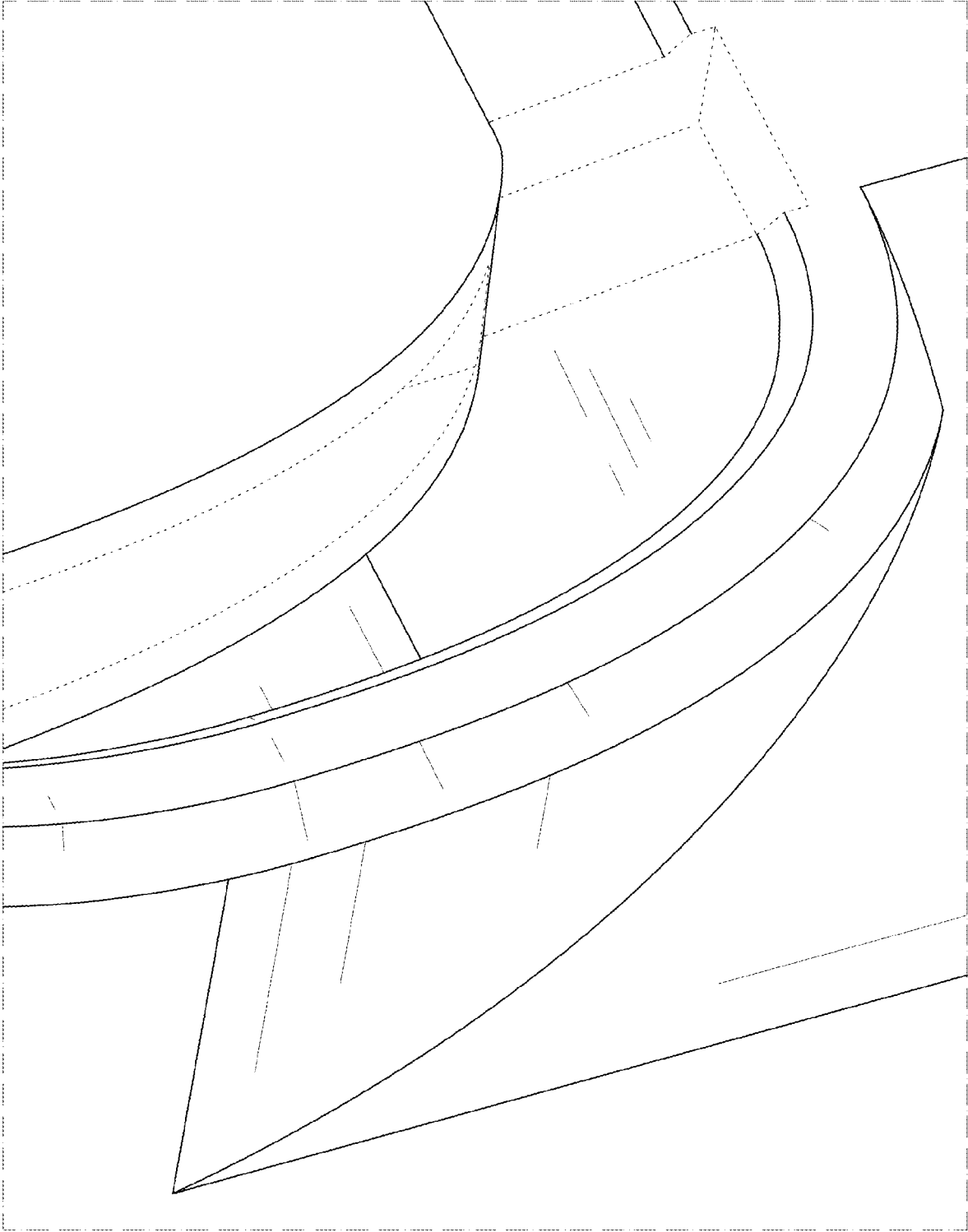


FIG.26