



US00D857957S

(12) **United States Design Patent** (10) **Patent No.:** **US D857,957 S**
Choo et al. (45) **Date of Patent:** **** Aug. 27, 2019**

(54) **REAR COMBINATION LAMP FOR AN AUTOMOBILE**
(71) Applicants: **HYUNDAI MOTOR COMPANY**, Seoul (KR); **KIA MOTORS CORPORATION**, Seoul (KR)
(72) Inventors: **Dong Hoon Choo**, Suwon-si (KR); **Dai Sung Kim**, Gunpo-si (KR)
(73) Assignees: **Hyundai Motor Company**, Seoul (KR); **Kia Motors Corporation**, Seoul (KR)
(**) Term: **15 Years**
(21) Appl. No.: **35/505,184**
(22) Filed: **Dec. 28, 2017**
(80) **Hague Agreement Data**
Int. Filing Date: **Dec. 28, 2017**
Int. Reg. No.: **DM/099651**
Int. Reg. Date: **Dec. 28, 2017**
Int. Reg. Pub. Date: **Jun. 29, 2018**

D716,478	S	*	10/2014	Loeb	D26/28
D720,484	S	*	12/2014	Nordmann	D26/28
D739,583	S	*	9/2015	Forsgren	D26/28
D749,247	S	*	2/2016	Han	D26/28
D749,248	S	*	2/2016	Gorsten Schuenemann	..	D26/28
D749,759	S	*	2/2016	Beaven	D26/28
D755,420	S	*	5/2016	Ko	D26/28
D761,979	S	*	7/2016	Wu	D26/28
D761,982	S	*	7/2016	Akita	D26/28
D764,082	S	*	8/2016	Frascella	D26/28
D767,803	S	*	9/2016	Faghihzadeh	D26/28
D769,485	S	*	10/2016	Morikawa	D26/28
D776,312	S	*	1/2017	Han	D26/28
D776,313	S	*	1/2017	Han	D26/28
D794,843	S	*	8/2017	Han	D26/28
D794,850	S	*	8/2017	Kim	D26/28
D797,330	S	*	9/2017	Katou	D26/28
D806,919	S	*	1/2018	Hatton	D26/28
D806,921	S	*	1/2018	Ryu	D26/28
D808,048	S	*	1/2018	Hannemann	D26/28
D810,974	S	*	2/2018	Sato	D26/28
D810,977	S	*	2/2018	Piscitelli	D26/28
D811,633	S	*	2/2018	Gould	D26/28
D812,271	S	*	3/2018	Katagiri	D26/28
D812,273	S	*	3/2018	Wu	D26/28

(Continued)

Primary Examiner — Richard E Chilcot
(74) Attorney, Agent, or Firm — Mintz Levin Cohn Ferris Glovsky and Popeo, P.C.; Kongsik Kim

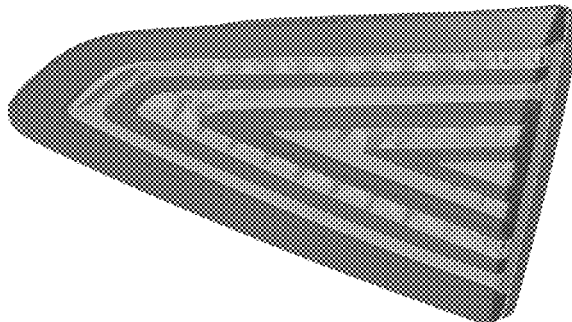
(51) **LOC (12) Cl.** **26-07**
(52) **U.S. Cl.**
USPC **D26/28**
CPC **F21S 43/00** (2018.01)
(58) **Field of Classification Search**
USPC D26/28-36; 362/459-468, 475-478, 362/485-487
CPC .. F21S 41/00; F21S 43/00; F21S 43/20; F21S 43/26
See application file for complete search history.

(57) **CLAIM**
The ornamental design for a rear combination lamp for an automobile, as shown and described.

(56) **References Cited**
U.S. PATENT DOCUMENTS
D412,214 S * 7/1999 Hejtmanek D26/28
D679,432 S * 4/2013 Frenzel D26/28
D714,978 S * 10/2014 Lee D26/28

DESCRIPTION
1. Rear combination lamp for an automobile
1.1 : Perspective
1.2 : Front
1.3 : Back
1.4 : Left
1.5 : Right
1.6 : Top
1.7 : Bottom

1 Claim, 7 Drawing Sheets



(56)

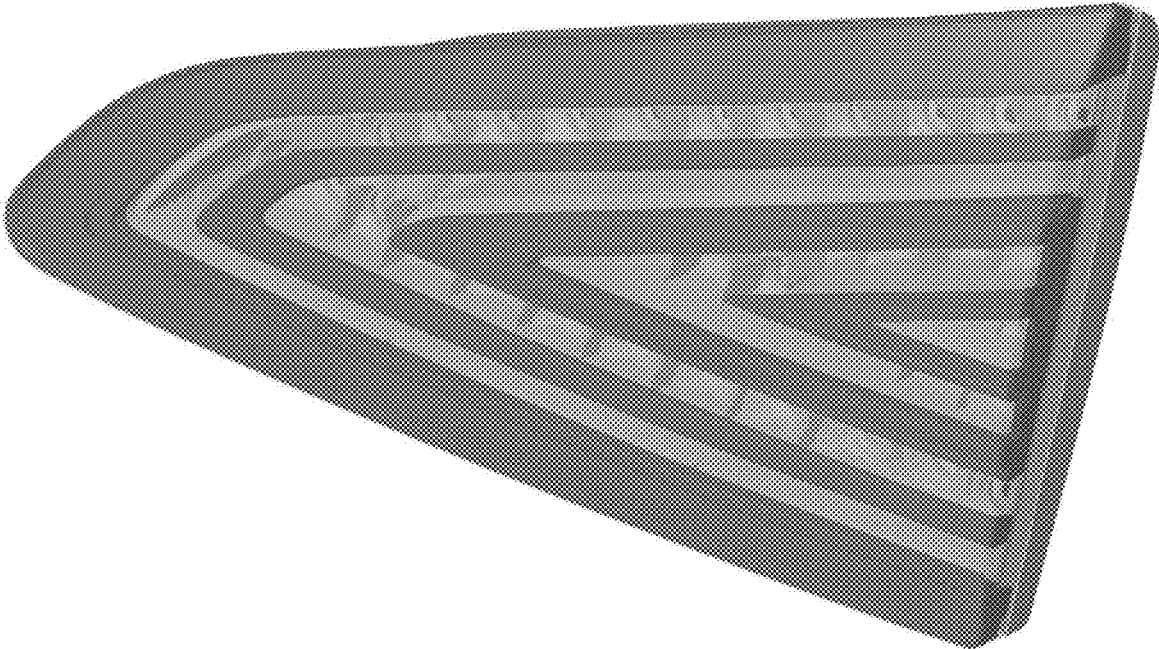
References Cited

U.S. PATENT DOCUMENTS

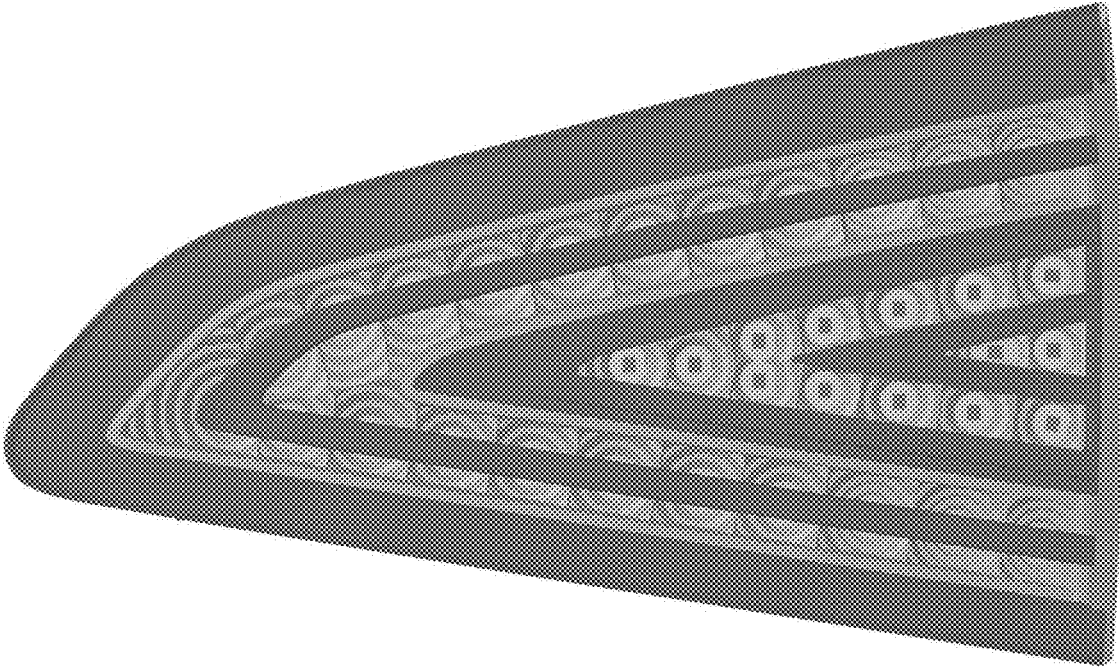
D812,792	S	*	3/2018	Jae	D26/28
D834,226	S	*	11/2018	Lee	D26/28
D834,227	S	*	11/2018	Lee	D26/28
D834,228	S	*	11/2018	Lee	D26/28
D834,229	S	*	11/2018	Lee	D26/28
D834,230	S	*	11/2018	Lee	D26/28
D841,202	S	*	2/2019	Badstuebner	D26/28

* cited by examiner

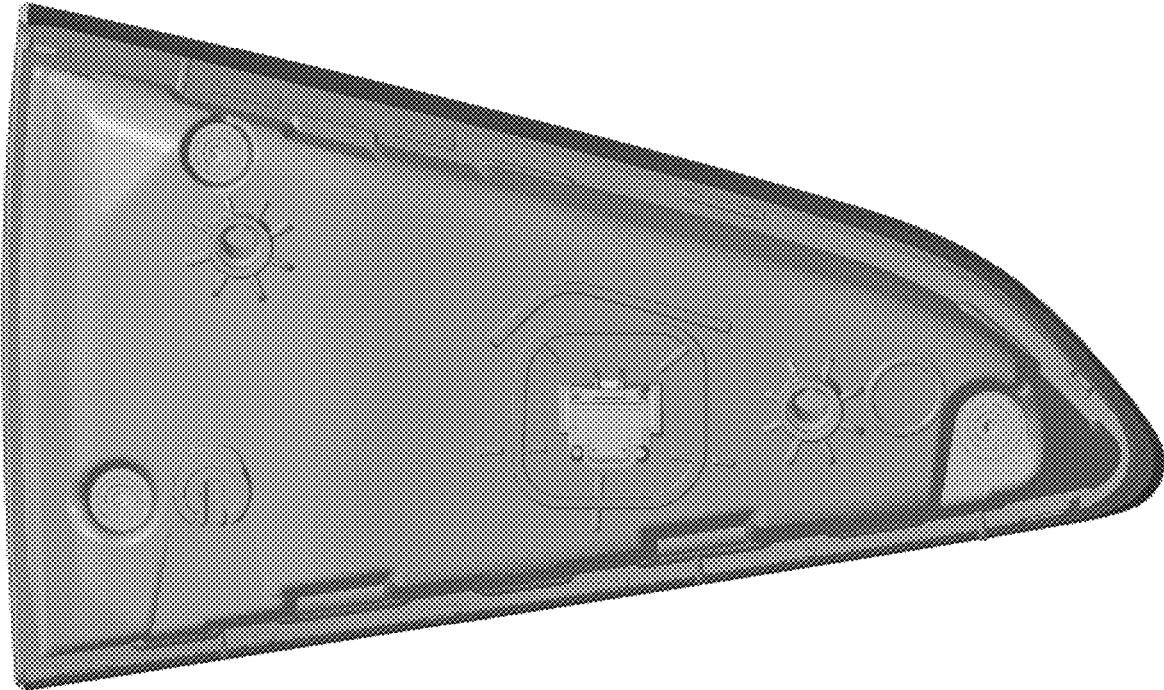
1.1



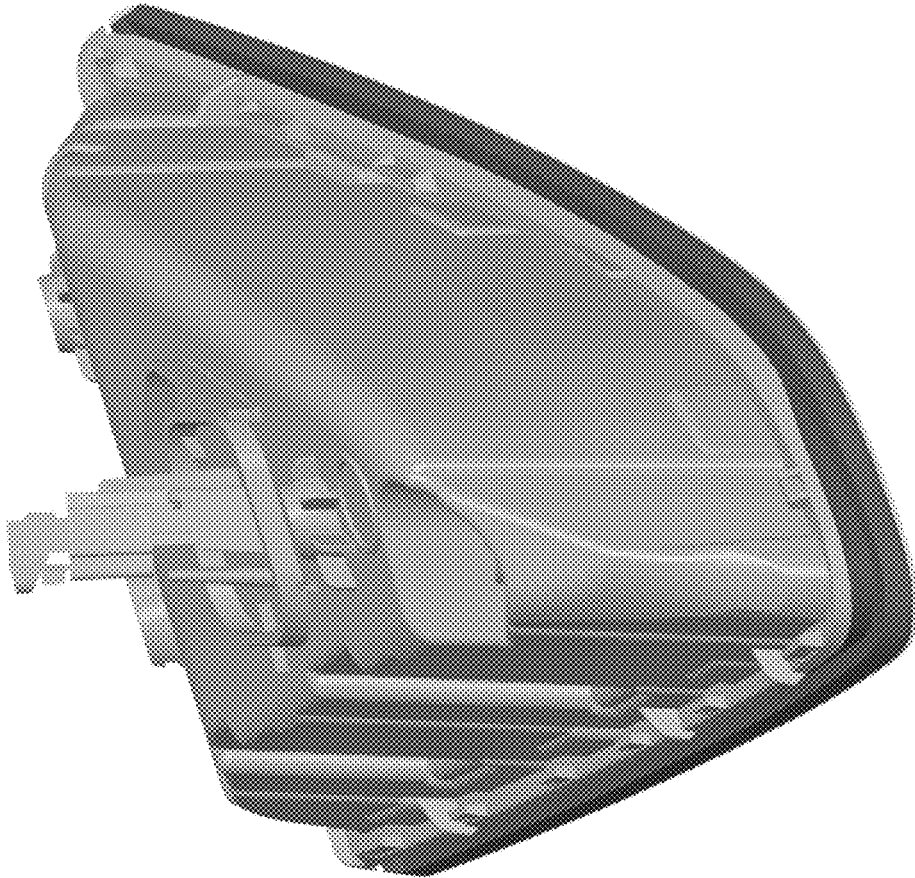
1.2



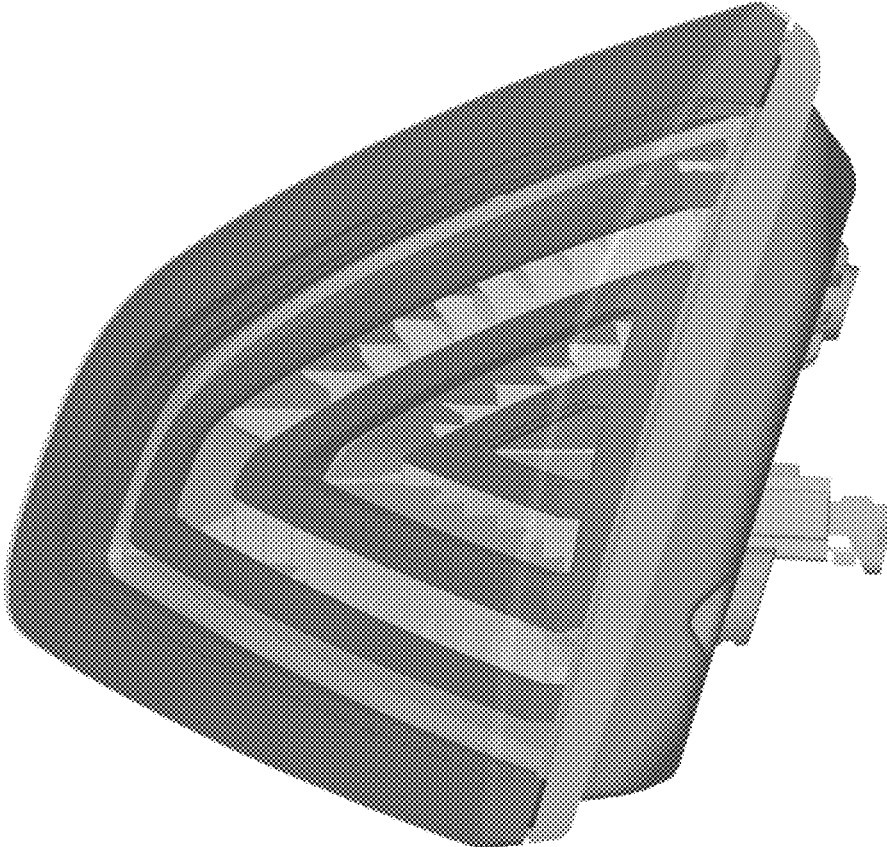
1.3



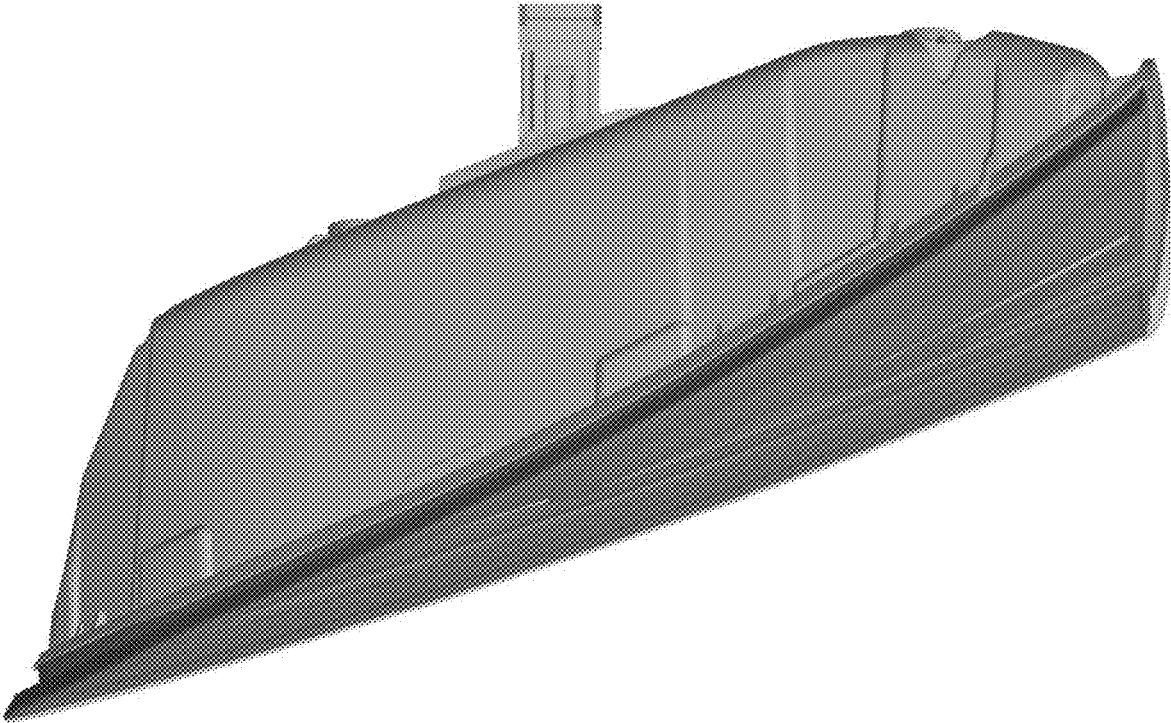
1.4



1.5



1.6



1.7

