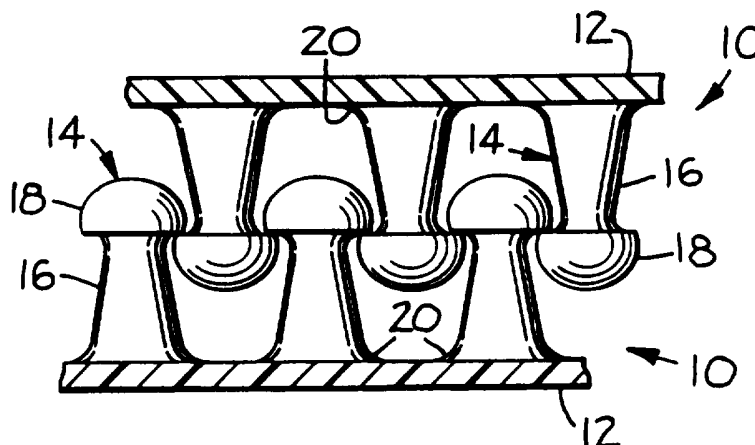




<p>(51) International Patent Classification ⁵ : A44B 18/00, B29C 45/26</p>	<p>A3</p>	<p>(11) International Publication Number: WO 92/04839 (43) International Publication Date: 2 April 1992 (02.04.92)</p>
<p>(21) International Application Number: PCT/US91/05874 (22) International Filing Date: 19 August 1991 (19.08.91) (30) Priority data: 585,990 21 September 1990 (21.09.90) US (71) Applicant: MINNESOTA MINING AND MANUFACTURING COMPANY [US/US]; 3M Center, P.O. Box 33427, Saint Paul, MN 55133-3427 (US). (72) Inventors: MELBYE, William, L. ; NESTEGARD, Susan, K. ; WOOD, Leigh, E. ; LINDSETH, Marvin, D. ; BYCHINSKI, Dale, A. ; P.O. Box 33427, Saint Paul, MN 55133-3427 (US).</p>		<p>(74) Agents: HUEBSCH, William, L. et al.; Intellectual Property Counsel, Minnesota Mining and Manufacturing Company, Post Office Box 33427, Saint Paul, MN 55133-3427 (US). (81) Designated States: AT (European patent), AU, BE (European patent), CA, CH (European patent), DE (European patent), DK (European patent), ES (European patent), FR (European patent), GB (European patent), GR (European patent), IT (European patent), JP, KR, LU (European patent), NL (European patent), SE (European patent). Published <i>With international search report. Before the expiration of the time limit for amending the claims and to be republished in the event of the receipt of amendments.</i> (88) Date of publication of the international search report: 14 May 1992 (14.05.92)</p>

(54) Title: MUSHROOM-TYPE HOOK STRIP FOR A MECHANICAL FASTENER



(57) Abstract

A mushroom-type hook strip (10) for a hook-and-loop fastener has a flexible backing (12) of thermoplastic resin and, integral with backing (12) an array of upstanding stems (16) distributed across at least one face of the backing, each having a mushroom head (14). The stems (16) have a molecular orientation as evidenced by a birefringence value of at least 0.001. The mushroom-type hook strip (10) can be produced continuously by injecting resin into cavities of a cylindrical mold while evacuating and cooling the cavities so that the cooled resin becomes molecularly oriented, thus affording to the stems excellent stiffness, durability, and tensile and flexural strength.

FOR THE PURPOSES OF INFORMATION ONLY

Codes used to identify States party to the PCT on the front pages of pamphlets publishing international applications under the PCT.

AT	Austria	ES	Spain	MC	Madagascar
AU	Australia	FI	Finland	ML	Mali
BB	Barbados	FR	France	MN	Mongolia
BE	Belgium	GA	Gabon	MR	Mauritania
BF	Burkina Faso	GB	United Kingdom	MW	Malawi
BG	Bulgaria	GN	Guinea	NL	Netherlands
BJ	Benin	GR	Greece	NO	Norway
BR	Brazil	HU	Hungary	PL	Poland
CA	Canada	IT	Italy	RO	Romania
CF	Central African Republic	JP	Japan	SD	Sudan
CG	Congo	KP	Democratic People's Republic of Korea	SE	Sweden
CH	Switzerland	KR	Republic of Korea	SN	Senegal
CI	Côte d'Ivoire	LI	Liechtenstein	SU ⁺	Soviet Union
CM	Cameroon	LK	Sri Lanka	TD	Chad
CS	Czechoslovakia	LU	Luxembourg	TC	Togo
DE*	Germany	LV	Latvia	US	United States of America
DK	Denmark	MC	Monaco		

+ Any designation of "SU" has effect in the Russian Federation. It is not yet known whether any such designation has effect in other States of the former Soviet Union.