



US00D989224S

(12) **United States Design Patent**
Hung et al.

(10) **Patent No.:** **US D989,224 S**
(45) **Date of Patent:** **** Jun. 13, 2023**

(54) **WATER PURIFIER**
(71) Applicant: **BEIJING XIAOMI MOBILE SOFTWARE CO., LTD.**, Beijing (CN)
(72) Inventors: **Wei-Hung Hung**, Beijing (CN); **Ningning Li**, Beijing (CN); **Lei Zhang**, Beijing (CN)
(73) Assignee: **BEIJING XIAOMI MOBILE SOFTWARE CO., LTD.**, Beijing (CN)

8,398,852 B2 * 3/2013 Burrows B01D 61/08
210/232
D692,523 S * 10/2013 Saito D23/207
9,371,245 B2 * 6/2016 Burrows C02F 9/20
D825,027 S * 8/2018 He D23/207
D826,371 S * 8/2018 Giordano D23/207
10,059,606 B2 * 8/2018 Burrows B01D 61/08
(Continued)

(**) Term: **15 Years**
(21) Appl. No.: **35/513,477**

FOREIGN PATENT DOCUMENTS
CN 305813769 S 5/2020
CN 306066663 S 9/2020
(Continued)

(22) Filed: **Aug. 9, 2021**

OTHER PUBLICATIONS

(80) **Hague Agreement Data**
Int. Filing Date: **Aug. 9, 2021**
Int. Reg. No.: **DM/218236**
Int. Reg. Date: **Aug. 9, 2021**
Int. Reg. Pub. Date: **Jan. 21, 2022**

Xiaomi Water Purifier Unboxing Installation, Feb. 8, 2017, YouTube, site visited Jan. 31, 2023: <https://www.youtube.com/watch?v=B44rCh9lpC4> (Year: 2017).*
(Continued)

(30) **Foreign Application Priority Data**

Primary Examiner — Jack Reickel
Assistant Examiner — Bobby W Jones, II
(74) *Attorney, Agent, or Firm* — Syncoda LLC; Feng Ma

Feb. 9, 2021 (CN) 202130094282.7

(51) **LOC (14) Cl.** **23-01**
(52) **U.S. Cl.**
USPC **D23/207**

(57) **CLAIM**

The ornamental design for a water purifier, as shown and described.

(58) **Field of Classification Search**
USPC D23/207, 208, 209, 210, 355, 362, 363, D23/364, 365, 366; D24/162
CPC B01D 27/00; B01D 27/08; B01D 61/08; B01D 61/081; B01D 2201/29; B01D 2201/295; B01D 2201/305; B01D 2221/02; C02F 1/002; C02F 1/003; C02F 2307/02; C02F 2307/04; C02F 2307/10
See application file for complete search history.

DESCRIPTION

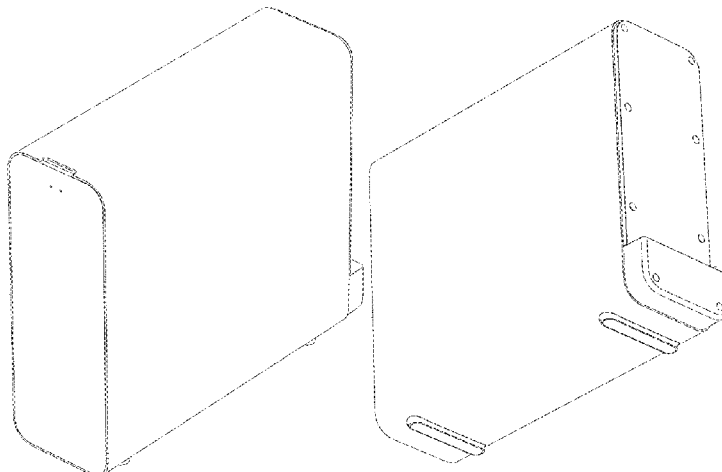
- 1. Water purifier
- 1.1 : Front
- 1.2 : Back
- 1.3 : Left
- 1.4 : Right
- 1.5 : Top
- 1.6 : Bottom
- 1.7 : Perspective
- 1.8 : Perspective

(56) **References Cited**

U.S. PATENT DOCUMENTS

D477,857 S * 7/2003 Kuna D23/209
D678,979 S * 3/2013 Liu D23/207

1 Claim, 8 Drawing Sheets



(56)

References Cited

U.S. PATENT DOCUMENTS

D876,866 S * 3/2020 Haas D7/306
 D912,200 S * 3/2021 Lautzenheiser D23/207
 D914,834 S * 3/2021 Cho D23/207
 D933,156 S * 10/2021 Cao D23/207
 D941,955 S * 1/2022 Ma D23/207
 D976,360 S * 1/2023 Melkonian D23/207
 2009/0288999 A1 * 11/2009 Lee C02F 9/20
 210/128
 2009/0289003 A1 * 11/2009 Tsai C02F 9/20
 210/232
 2013/0313171 A1 * 11/2013 Chang Kuo C02F 9/20
 210/85
 2019/0233304 A1 * 8/2019 He F16K 31/18
 2020/0339438 A1 * 10/2020 Lautzenheiser G09F 13/08

FOREIGN PATENT DOCUMENTS

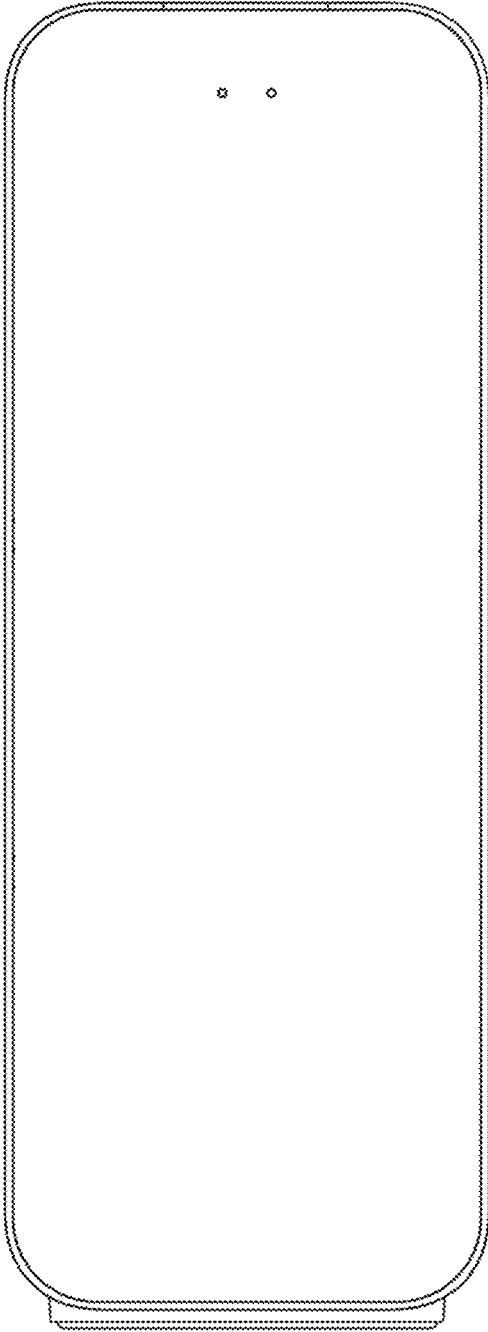
CN 306086757 S 10/2020
 CN 306631375 S 6/2021
 CN 306697735 S 7/2021
 CN 306714767 S 7/2021
 JP D1393893 S 8/2010
 TW D206283 S 8/2020

OTHER PUBLICATIONS

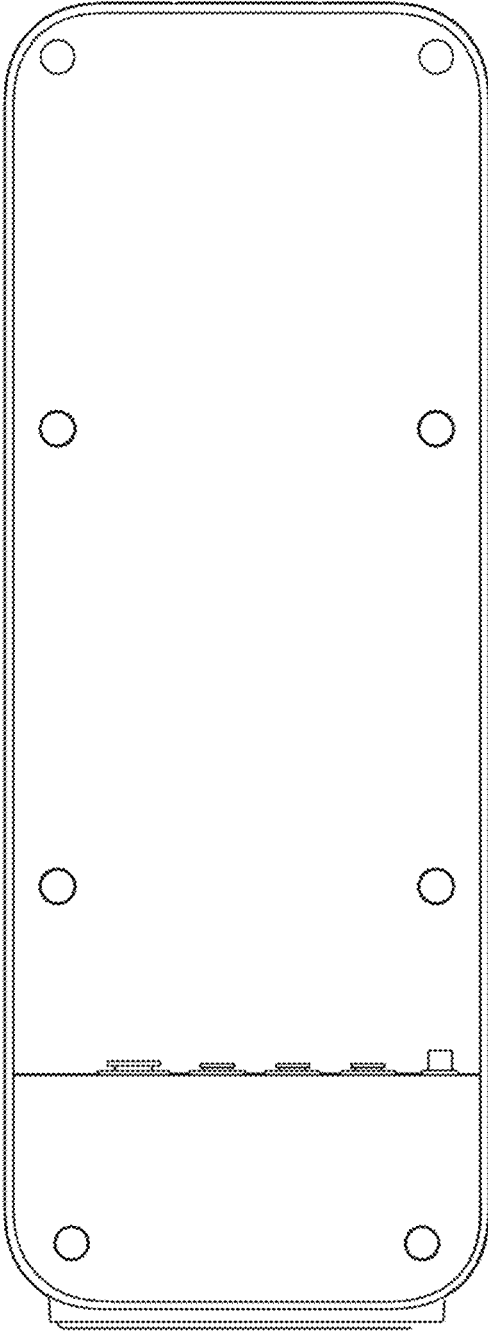
Waterdrop TSU Ultra-Filtration Under Sink Water Filter System, Jun. 29, 2018, Amazon, site visited Jan. 31, 2023: <https://www.amazon.ca/dp/B086YH42QP/> (Year: 2018).
 Frizzlife PD600 Reverse Osmosis installation, Feb. 15, 2020, YouTube, site visited Jan. 31, 2023: <https://www.youtube.com/watch?v=Xa1gjkRVtLc> (Year: 2020).*

* cited by examiner

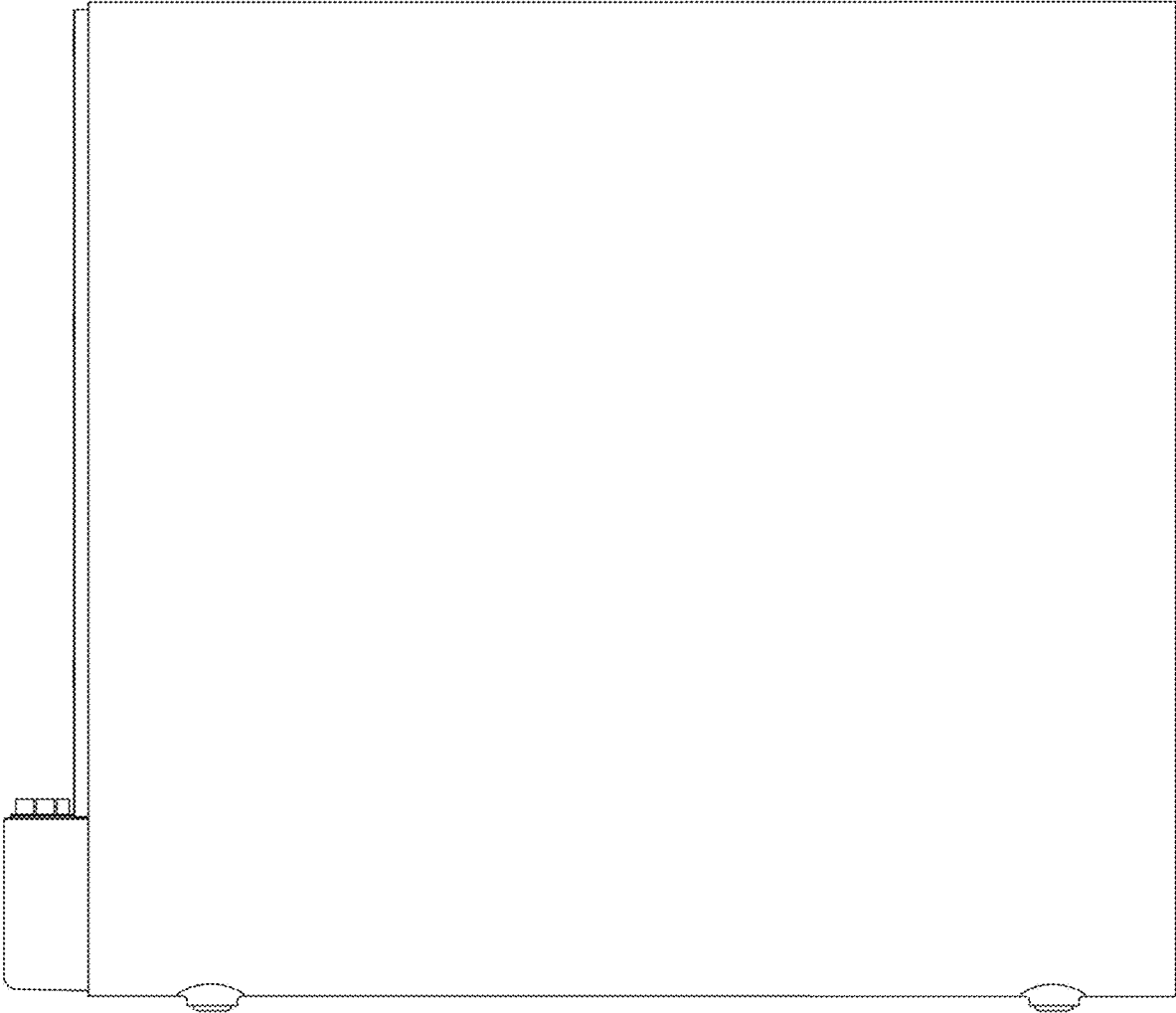
1.1



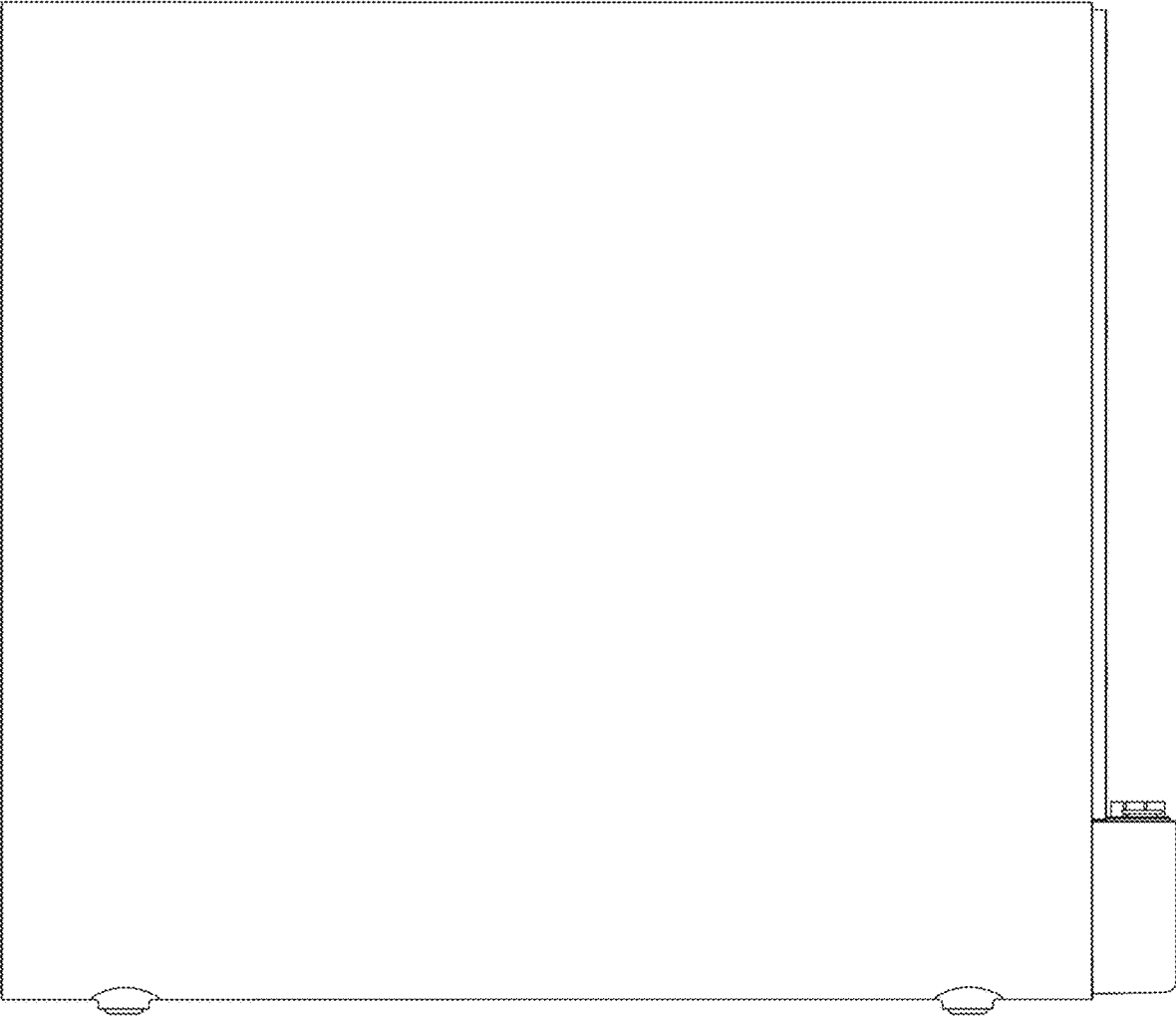
1.2



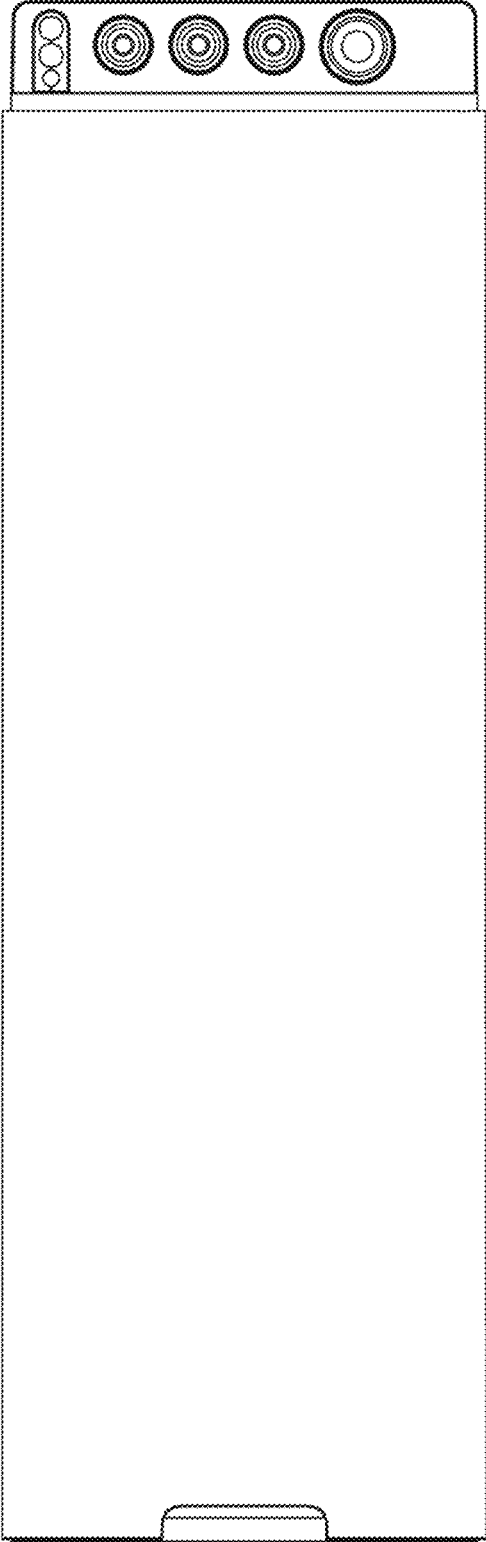
1.3



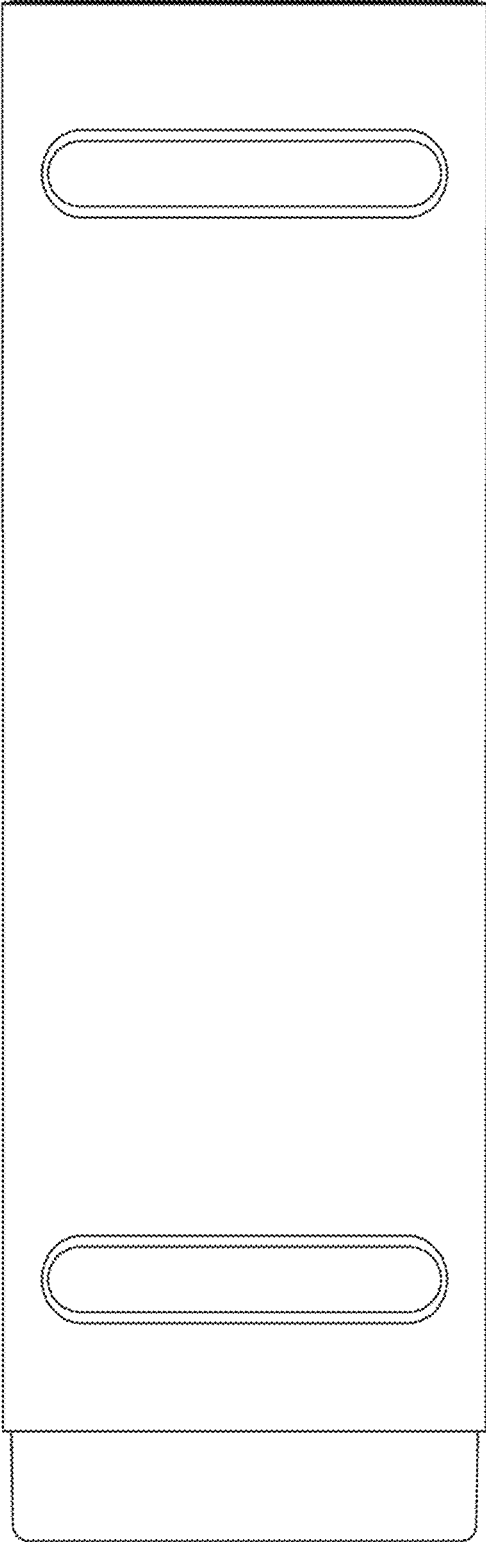
1.4



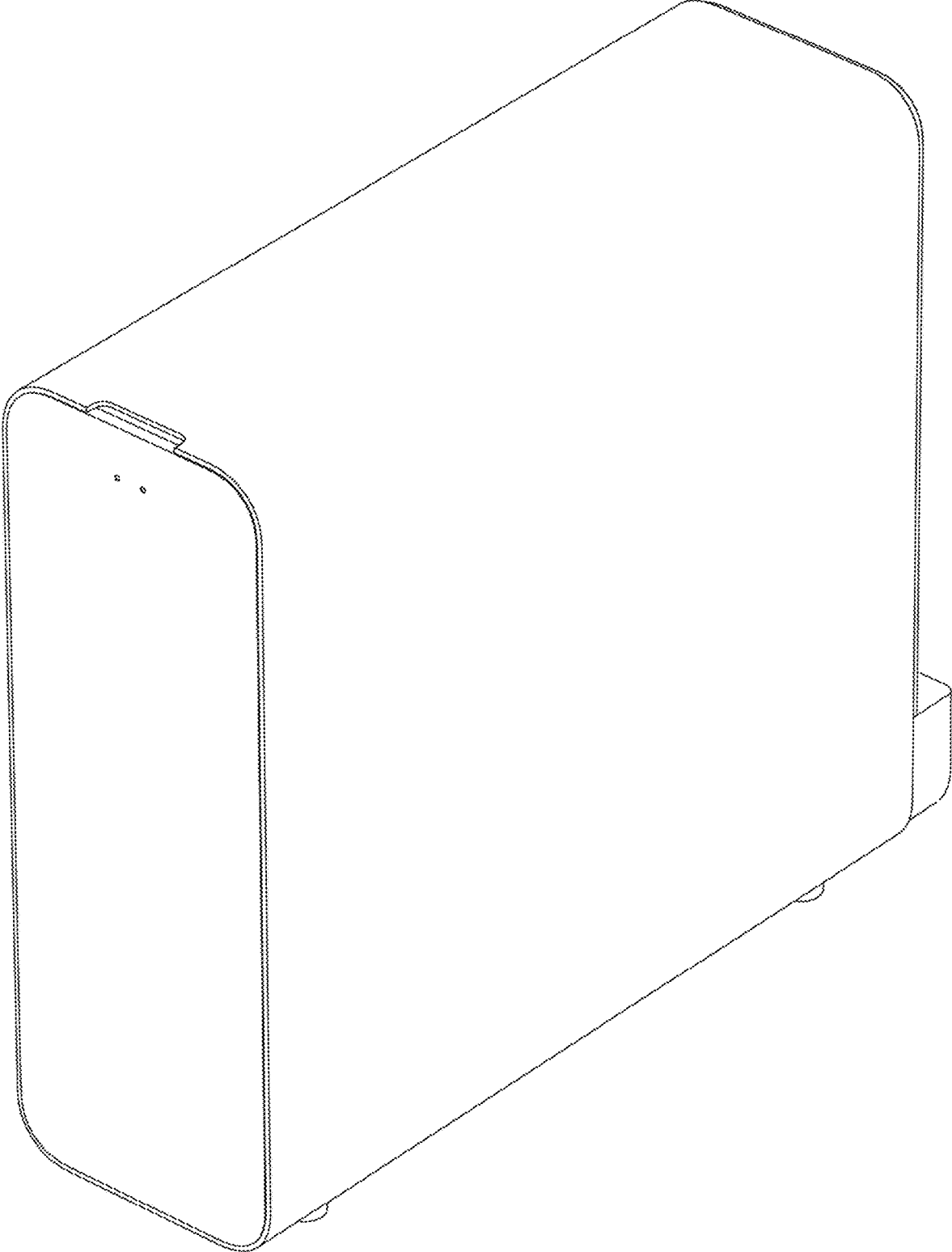
1.5



1.6



1.7



1.8

