



US00D932969S

(12) **United States Design Patent** (10) **Patent No.:** **US D932,969 S**
Anscheidt et al. (45) **Date of Patent:** **** Oct. 12, 2021**

(54) **DIFFUSER**
(71) Applicant: **Bugatti International SA**, Luxembourg (LU)
(72) Inventors: **Achim Anscheidt**, Berlin (DE); **Frank Heyl**, Calberlah (DE)
(73) Assignee: **Bugatti International SA**, Luxembourg (LU)
(**) Term: **15 Years**
(21) Appl. No.: **29/735,325**

D640,617 S * 6/2011 Furst D12/169
D678,826 S * 3/2013 Akamine D12/169
D731,371 S * 6/2015 Morikawa D12/169
D748,541 S * 2/2016 Jamieson D12/169
D774,420 S * 12/2016 Anscheidt D12/92
D813,745 S * 3/2018 Behmer D12/169
D852,691 S * 7/2019 Tovey D12/169
D868,647 S * 12/2019 Buck D12/169
D883,884 S * 5/2020 Watanuki D12/196
D890,641 S * 7/2020 Burki D12/164
D897,901 S * 10/2020 Anscheidt D12/88
D899,969 S * 10/2020 Anscheidt D12/88
D904,228 S * 12/2020 Anscheidt D12/88
D908,571 S * 1/2021 Anscheidt D12/196

(Continued)

(22) Filed: **May 20, 2020**

OTHER PUBLICATIONS

(30) **Foreign Application Priority Data**

Bugatti Chiron Pur Sport, Published Mar. 6, 2020 [online], [retrieved on Aug. 22, 2021], Retrieved from the Internet: <https://www.wheelsjoint.com/bugatti-chiron-pur-sport-unveiled-as-a-3-4-million-hypercar/> (Year: 2020).*

Feb. 4, 2020 (EM) 007658422-0007

(51) **LOC (13) Cl.** **12-16**

(52) **U.S. Cl.** **D12/196**

(58) **Field of Classification Search**

USPC **D12/196**
USPC D12/82, 85, 86, 88, 89, 90, 91, 92, 93, D12/96, 98, 99, 101, 102, 106, 163, 164, D12/165, 166, 167, 169, 170, 171, 172, D12/173, 181, 184, 185, 190, 192, 196, D12/216, 223, 400; D21/533, 548, 552, D21/561

CPC B60R 19/00; B60R 19/02; B60R 19/04; B60R 19/16; B60R 19/18; B60R 19/24; B60R 19/26; B60R 19/44; B60R 19/48; B60R 19/52; B60R 19/56; B60R 2019/007; B60R 2019/522; B60R 2019/525; B60R 2019/527; B60R 2019/1886; B62D 25/02; B62D 25/08; B62D 25/16; B60K 11/08; B60K 11/085

See application file for complete search history.

Primary Examiner — Christian P. McLean
Assistant Examiner — Adam C Mager
(74) *Attorney, Agent, or Firm* — Blank Rome LLP

(57) **CLAIM**

The ornamental design for a diffuser, as shown and described.

DESCRIPTION

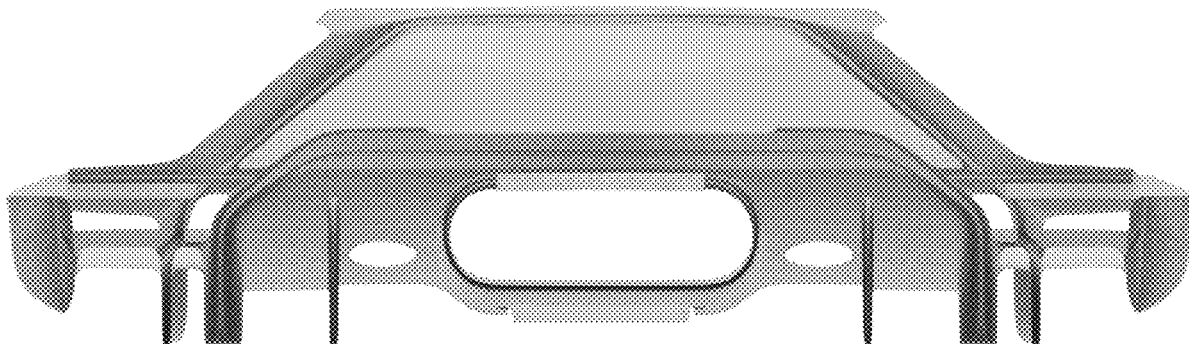
FIG. 1 is a front view of a diffuser of the present design; FIG. 2 is a rear view thereof; FIG. 3 is a top view thereof; FIG. 4 is a bottom view thereof; FIG. 5 is a left side perspective view thereof; FIG. 6 is a right side perspective view thereof; and, FIG. 7 is a rear, bottom, left perspective view thereof.

(56) **References Cited**

U.S. PATENT DOCUMENTS

D543,910 S * 6/2007 Grant D12/169
D543,920 S * 6/2007 Lai D12/196

1 Claim, 7 Drawing Sheets



(56)

References Cited

U.S. PATENT DOCUMENTS

D911,220	S	*	2/2021	Anscheidt	D12/88
D911,240	S	*	2/2021	Manzoni	D12/196
D918,794	S	*	5/2021	Choi	D12/169
D918,808	S	*	5/2021	Nakajima	D12/196
D920,163	S	*	5/2021	Anscheidt	D12/88

* cited by examiner

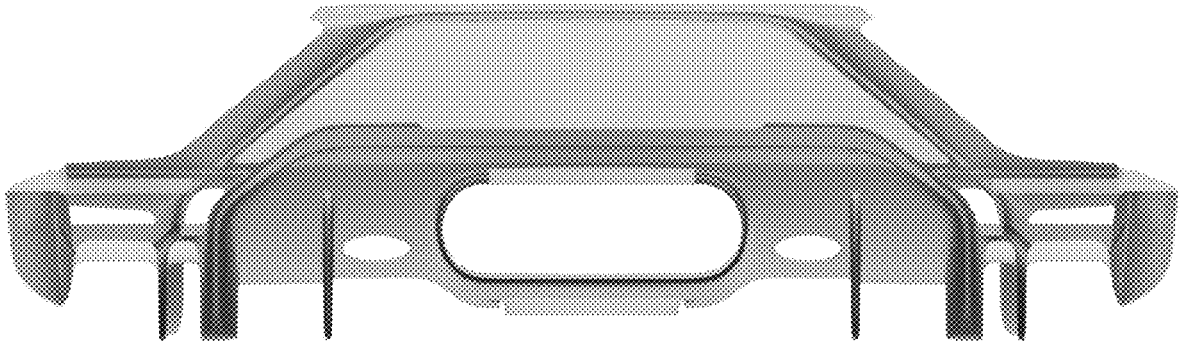


FIG 1

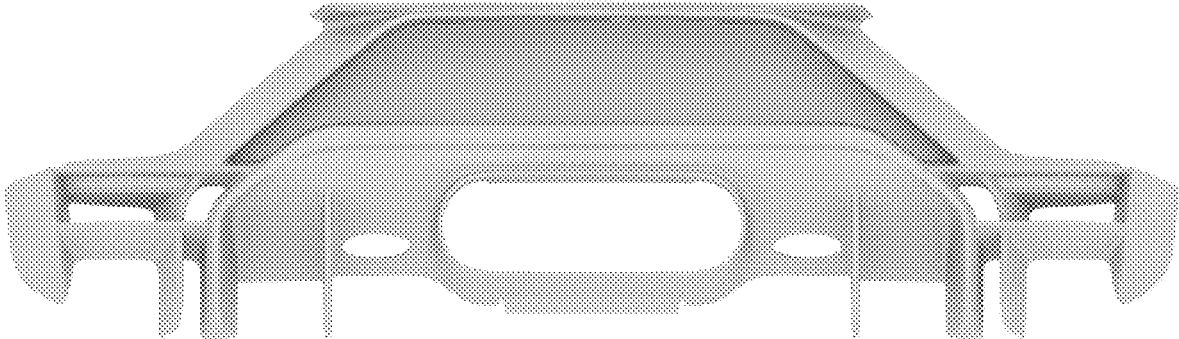


FIG 2

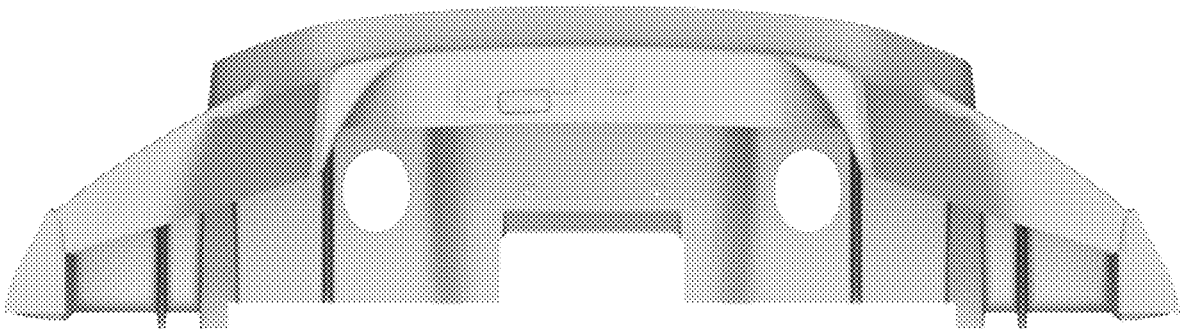


FIG 3

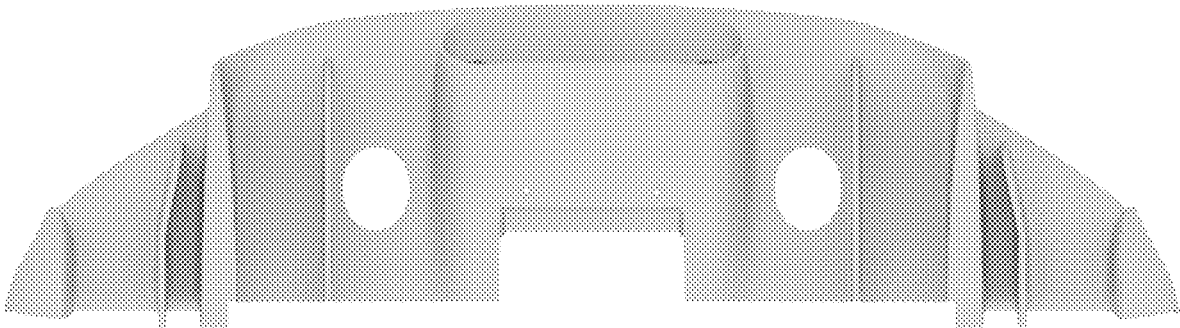


FIG 4

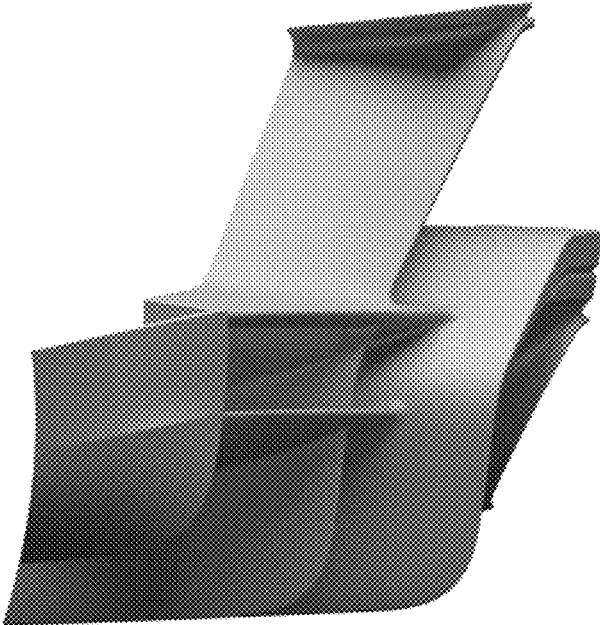


FIG 5

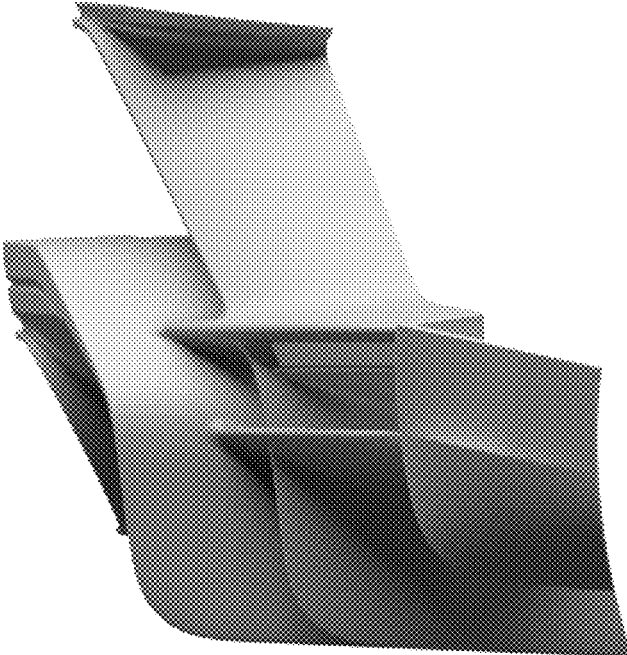


FIG 6

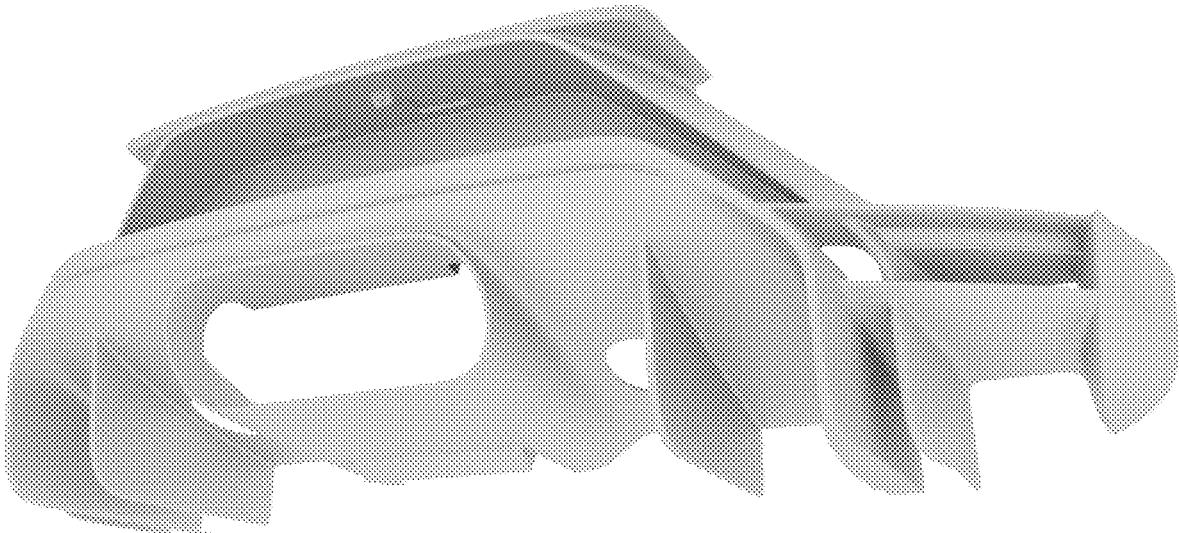


FIG 7