



US00D472145S

(12) **United States Design Patent**  
**Nottingham et al.**

(10) **Patent No.:** **US D472,145 S**  
(45) **Date of Patent:** **\*\* Mar. 25, 2003**

- (54) **PAINT CONTAINER LID**
- (75) Inventors: **John R. Nottingham**, Hunting Valley, OH (US); **John W. Spirk**, Gates Mills, OH (US); **Dale A. Panasewicz**, Strongsville, OH (US); **Nick E. Stanca**, Westlake, OH (US); **Robert Iredell, IV**, Cleveland Hts., OH (US); **Dennis M. Futo**, Strongsville, OH (US)
- (73) Assignee: **Nottingham-Spirk Partners, LLC**, Cleveland, OH (US)

3,366,290 A	1/1968	Mojonnier et al.
3,387,749 A	6/1968	Godshalk et al.
D211,928 S	8/1968	Burnett
3,434,635 A	3/1969	Mason, Jr.
3,473,685 A	* 10/1969	Harlan ..... 215/305
D217,231 S	4/1970	Pashman
3,526,110 A	9/1970	Foote
3,533,503 A	10/1970	Wood et al.
3,593,880 A	7/1971	Kulbacki
3,595,431 A	7/1971	Bird
D221,515 S	8/1971	Betka
D221,518 S	8/1971	Weckman

(List continued on next page.)

(\*\*) Term: **14 Years**

**FOREIGN PATENT DOCUMENTS**

- (21) Appl. No.: **29/146,699**
- (22) Filed: **Aug. 14, 2001**

CA 800836 12/1968  
*Primary Examiner*—Dominic Simone  
 (74) *Attorney, Agent, or Firm*—Calfee, Halter & Griswold, LLP

- (51) **LOC (7) Cl.** ..... **09-07**
- (52) **U.S. Cl.** ..... **D9/443**
- (58) **Field of Search** ..... D9/435, 443; 215/305

**CLAIM**

(57) The ornamental design for a paint container lid, as shown and described.

(56) **References Cited**

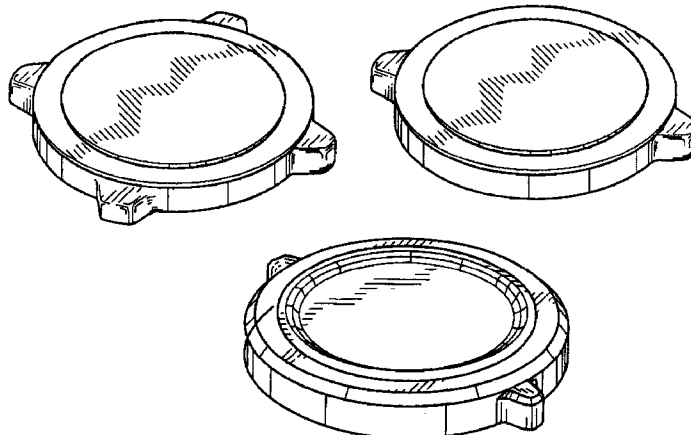
**DESCRIPTION**

**U.S. PATENT DOCUMENTS**

D34,895 S	8/1901	McFaddin
D89,681 S	4/1933	Crimmel et al.
2,324,338 A	7/1943	Tripp
2,520,549 A	8/1950	Jacobsen
2,659,519 A	11/1953	Allen
2,660,333 A	11/1953	Paxton
2,707,574 A	5/1955	Klebenow
2,743,844 A	5/1956	Livingstone
2,817,465 A	12/1957	Gray
D182,779 S	* 5/1958	Tupper ..... D9/443
2,840,124 A	6/1958	Greene
2,851,196 A	9/1958	Livingstone
3,000,527 A	9/1961	Jennings et al.
D192,886 S	5/1962	Kaplan
D198,287 S	5/1964	Hulterstrum
D201,157 S	5/1965	Harlow
D206,407 S	12/1966	Sharp
3,310,088 A	3/1967	Hildebrandt et al.
D207,466 S	4/1967	Phillips
3,313,438 A	4/1967	Piker
D209,018 S	10/1967	Holtz

FIG. 1 is a perspective view a first embodiment of a paint container lid embodying our design;  
 FIG. 2 is a side view of the paint container lid shown in FIG. 1 thereof;  
 FIG. 3 is a top plan view of the paint container lid shown in FIG. 1 thereof;  
 FIGS. 4 and 5 are perspective views of a second embodiment of a paint container lid embodying our design;  
 FIGS. 6 and 7 are side views of the paint container lid shown in FIGS. 4 and 5 thereof;  
 FIG. 8 is a top plan view of the paint container lid shown in FIGS. 4 and 5 thereof;  
 FIG. 9 is a perspective view of a third embodiment of a paint container lid embodying our design;  
 FIG. 10 is a side view of the paint container lid shown in FIG. 9 thereof; and,  
 FIG. 11 is a top plan view of the paint container lid shown in FIG. 9 thereof.

**1 Claim, 2 Drawing Sheets**



U.S. PATENT DOCUMENTS						
			4,804,119	A	2/1989	Goodall
			4,805,793	A	2/1989	Brandt et al.
			4,830,234	A	5/1989	Odet
			4,860,927	A	8/1989	Grinde
			4,865,233	A	9/1989	Kain
			D304,014	S	10/1989	O'Connell
			D305,407	S	1/1990	Gonda
			4,890,768	A	1/1990	Robinson
			4,890,770	A	1/1990	Haga et al.
			4,892,126	A	1/1990	Bucheler et al.
			4,893,723	A	1/1990	Seabolt
			4,893,724	A	1/1990	Schiemann
			4,893,732	A	1/1990	Jennings
			D305,980	S	2/1990	Binder et al.
			4,898,304	A	2/1990	Bacon, Jr.
			4,911,319	A	3/1990	DeJean
			4,917,268	A	4/1990	Campbell et al.
			D308,148	S	5/1990	Meyer
			4,926,390	A	5/1990	Murzsa
			4,927,046	A	5/1990	Armstrong
			D308,336	S	6/1990	Delbanco
			4,949,884	A	8/1990	Dahl
			D311,681	S	10/1990	Aggarwal
			4,969,617	A	11/1990	Desjardins
			4,974,749	A	12/1990	Mon
			D313,350	S	1/1991	Beaver
			4,981,239	A	1/1991	Cappel et al.
			4,982,858	A	1/1991	von Holdt
			4,993,605	A	2/1991	Del'Re
			D315,298	S	3/1991	Marucci
			D315,503	S	3/1991	Hart et al.
			5,020,692	A	6/1991	Darr
			D318,228	S	7/1991	Schlesselman
			5,027,973	A	7/1991	Drogos
			D320,345	S	10/1991	Hamly et al.
			D320,741	S	10/1991	Willis et al.
			D321,132	S	10/1991	Wiseman et al.
			5,054,661	A	10/1991	Hollje
			5,058,772	A	10/1991	Moore et al.
			D321,624	S	11/1991	Fiore et al.
			5,071,037	A	12/1991	Moore et al.
			D323,115	S	1/1992	Kelsey
			5,092,474	A	3/1992	Leigner
			5,108,009	A	4/1992	Davidson et al.
			5,114,659	A	5/1992	Krall
			D327,648	S	7/1992	Cane
			5,131,566	A	7/1992	Bavegems
			D329,597	S	9/1992	Gallagher et al.
			5,160,067	A	11/1992	Luber
			D332,747	S	1/1993	Darr et al.
			5,181,630	A	1/1993	McNally
			5,207,356	A	5/1993	Krall
			5,234,130	A	8/1993	Benioff et al.
			5,267,675	A	12/1993	Cane
			5,269,438	A	12/1993	Kelsey
			D342,898	S	1/1994	Cane
			5,322,662	A	6/1994	Benioff et al.
			5,346,106	A	9/1994	Ring
			5,358,148	A	10/1994	Hanifl et al.
			D352,459	S	11/1994	Pollacco
			D352,659	S	11/1994	Nilsson et al.
			5,366,101	A	11/1994	Krall et al.
			D353,541	S	12/1994	Rogler et al.
			5,377,858	A	1/1995	Morris, Sr.
			D355,366	S	2/1995	Bainton
			5,392,968	A	2/1995	Dark
			D358,333	S	5/1995	Stockwell et al.
			5,431,306	A	7/1995	Reid
			D360,830	S	8/1995	Hestehave et al.
			5,445,195	A	8/1995	Kim
			D362,180	S	9/1995	Haines
3,596,813	A	8/1971	Munn			
3,612,595	A	10/1971	Updegraff et al.			
3,620,410	A	11/1971	Griese, Jr.			
D224,200	S	7/1972	Kretz			
3,695,488	A	10/1972	Olsson			
3,727,792	A	4/1973	Levin			
3,730,382	A	5/1973	Heisler			
3,744,671	A	7/1973	Saunders, Jr.			
3,756,451	A	9/1973	Popeil			
3,807,679	A	4/1974	Burke et al.			
3,889,732	A	6/1975	Wilkins			
3,899,107	A	8/1975	Gaal			
3,938,686	A	2/1976	Milligan et al.			
3,945,527	A	3/1976	Pylant			
4,014,465	A	3/1977	Ritter			
D244,990	S	7/1977	Anderson			
4,061,242	A	12/1977	Donlon			
4,078,700	A	3/1978	Hidding			
D248,216	S	6/1978	Allen et al.			
4,128,189	A	12/1978	Baxter			
4,129,236	A	12/1978	Wrycraft et al.			
D250,806	S	1/1979	Gutkowski			
D251,358	S	3/1979	Gutkowski			
4,150,763	A	4/1979	Simpson			
4,171,063	A	10/1979	Gloutier			
4,203,537	A	5/1980	McAlister			
4,225,064	A	9/1980	Westcott			
4,228,916	A	10/1980	Weingardt			
4,240,568	A	12/1980	Pool			
4,245,753	A	1/1981	Ellis			
4,245,754	A	1/1981	Ellis			
D258,563	S	3/1981	Romagnoli			
4,281,770	A	8/1981	Rainville			
D261,362	S	10/1981	Epperson			
4,298,145	A	11/1981	Iida			
4,312,459	A	1/1982	Leach			
D265,797	S	8/1982	Platte			
4,380,304	A	4/1983	Anderson			
4,387,828	A	6/1983	Yates, Jr.			
4,387,922	A	6/1983	Geisinger			
D269,948	S	8/1983	Janssen			
4,399,926	A	8/1983	Eidels-Dubovoy			
4,412,633	A	11/1983	Guerrazzi et al.			
4,453,647	A	6/1984	Neat			
4,463,867	A	8/1984	Nagel			
D276,890	S	12/1984	Hancher			
D277,363	S	1/1985	Drummond, Jr. et al.			
4,491,234	A	1/1985	Wilcock			
D279,763	S	7/1985	Hestehave et al.			
4,548,332	A	10/1985	Neat			
4,549,977	A	10/1985	Joshi et al.			
4,550,862	A	11/1985	Barker et al.			
D281,579	S	12/1985	Drummond, Jr. et al.			
4,575,074	A	3/1986	Damratoski			
4,583,666	A	4/1986	Buck			
4,616,759	A	10/1986	Mahler			
4,619,373	A	10/1986	Galer			
4,640,855	A	2/1987	St. Clair			
D289,261	S	4/1987	Shadwell			
D289,377	S	4/1987	Ashby et al.			
4,664,295	A	5/1987	Iida			
4,666,065	A	5/1987	Ohren			
4,671,421	A	6/1987	Reiber et al.			
4,696,416	A	9/1987	Muckenfuhs et al.			
4,702,395	A	10/1987	Nitsch			
4,706,829	A	11/1987	Li			
4,715,504	A	12/1987	Chang et al.			
4,717,034	A	1/1988	Mamford			
4,736,874	A	4/1988	Durant			
D296,873	S	7/1988	Dent et al.			

# US D472,145 S

D362,625 S	9/1995	Braun	5,896,993 A	4/1999	Nask et al.
5,462,202 A	10/1995	Haffner et al.	5,908,136 A	6/1999	Mrak
D367,612 S	3/1996	Shaw et al.	5,924,593 A	7/1999	Rutledge, Jr. et al.
5,509,579 A	4/1996	Robbins, III	5,941,422 A	8/1999	Struble
D370,153 S	5/1996	Chaney et al.	5,941,427 A	8/1999	Speer
5,517,837 A	5/1996	Wang	5,964,383 A	10/1999	Cargile
D370,850 S	6/1996	Beaver	5,975,346 A	11/1999	Imperato et al.
D371,485 S	* 7/1996	Hickey ..... D9/443	D417,621 S	12/1999	Hofmeister et al.
D372,197 S	7/1996	Gough	D417,849 S	12/1999	Beaver
D374,178 S	10/1996	Valls et al.	6,029,858 A	2/2000	Srokose et al.
5,566,861 A	10/1996	Serano	D422,920 S	4/2000	Tapp et al.
5,566,862 A	10/1996	Hafner et al.	6,053,650 A	4/2000	Bennett et al.
D376,761 S	12/1996	Lathrop et al.	6,059,153 A	5/2000	Olson et al.
5,586,805 A	12/1996	Rinehart	D426,164 S	6/2000	Gans et al.
5,597,090 A	1/1997	Leahy	D426,925 S	6/2000	Axhamre
5,603,787 A	2/1997	Reid	6,085,949 A	7/2000	Zimny et al.
D379,302 S	5/1997	Rodman	D428,817 S	8/2000	Olson et al.
5,626,258 A	5/1997	Maiorino	D429,646 S	8/2000	Goettner
5,626,319 A	5/1997	Fusillo	D430,021 S	8/2000	Goettner
D380,682 S	7/1997	Robinson	D430,033 S	8/2000	Beaver et al.
5,669,526 A	9/1997	Keyfauver	6,105,813 A	8/2000	Abbey
5,678,684 A	10/1997	Wright	6,109,487 A	8/2000	Hashimoto
D389,067 S	1/1998	Lown	6,123,231 A	9/2000	Geisinger
5,704,502 A	1/1998	Greenfield	6,179,158 B1	1/2001	Koda
D392,188 S	3/1998	Darr et al.	6,223,945 B1	5/2001	Giblin et al.
D395,825 S	7/1998	Freitas	6,247,600 B1	6/2001	Sullivan, Jr.
5,823,345 A	10/1998	Nask et al.	D445,687 S	* 7/2001	Gilbertson ..... D9/443
D401,154 S	11/1998	Robinson	6,269,977 B1	8/2001	Moore
D401,246 S	11/1998	Langeveld et al.	6,293,692 B1	9/2001	Bowsher et al.
D401,704 S	11/1998	Clark	D448,671 S	10/2001	Gans et al.
D402,562 S	12/1998	Anderson et al.	D448,675 S	10/2001	Thierjung
5,850,953 A	12/1998	Dallas, Jr.	D449,535 S	10/2001	Geisinger et al.
D403,821 S	1/1999	Kerridge	D456,258 S	* 4/2002	Chin ..... D9/435
5,855,299 A	1/1999	Arnold et al.	2001/0025865 A1	10/2001	Bravo et al.
5,855,304 A	1/1999	Dean et al.			
5,893,489 A	4/1999	Giarrante			

\* cited by examiner

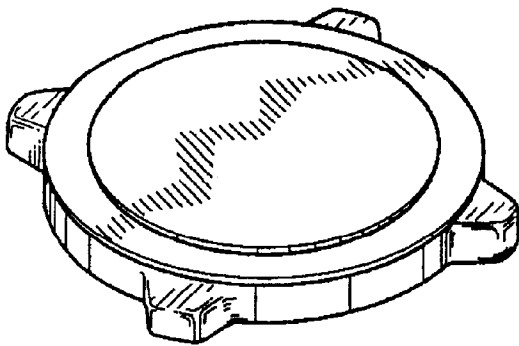


FIG. 1



FIG. 2

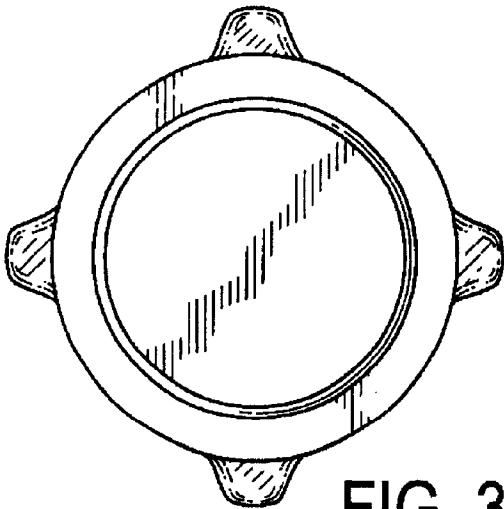


FIG. 3

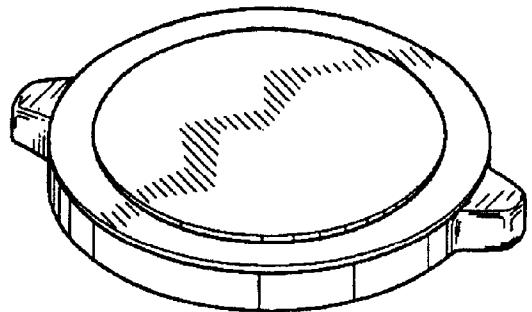


FIG. 4

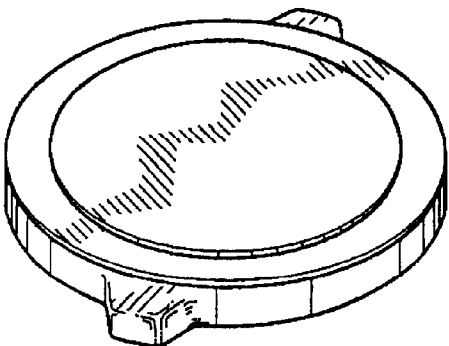


FIG. 5

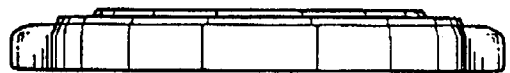


FIG. 6



FIG. 7

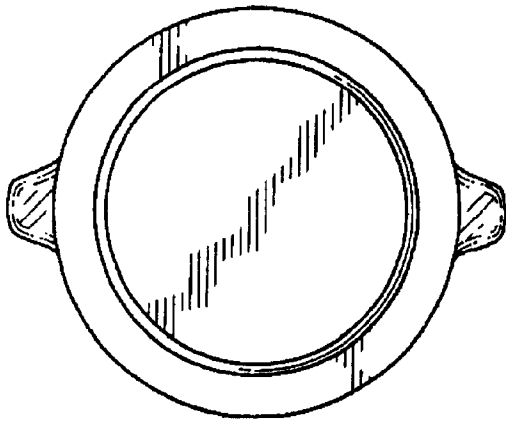


FIG. 8

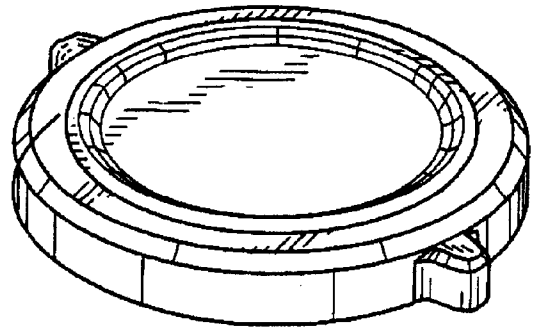


FIG. 9

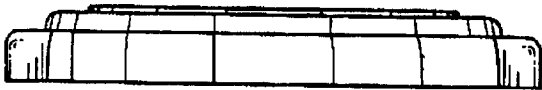


FIG. 10

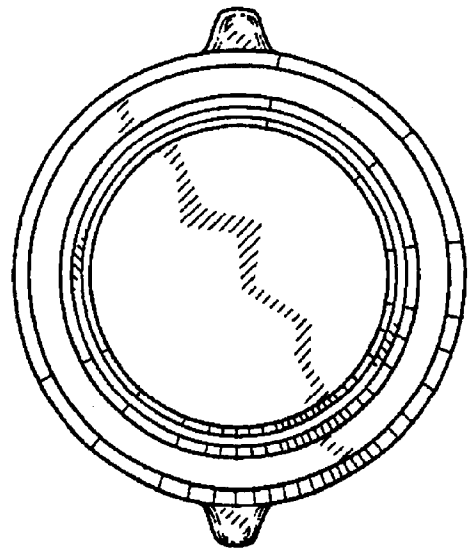


FIG. 11