



(12) **United States Design Patent**
You et al.

(10) **Patent No.:** **US D962,903 S**
(45) **Date of Patent:** **** Sep. 6, 2022**

(54) **MICROPHONE STAND**
(71) Applicant: **NINGBO TUOTUO RIVER DESIGN COMPANY, Zhejiang (CN)**
(72) Inventors: **Xiaodong You, Ningbo (CN); Gaobo Lin, Ningbo (CN)**
(73) Assignee: **NINGBO TUOTUO RIVER DESIGN COMPANY, Zhejiang (CN)**

4,160,536 A * 7/1979 Krogstrup F16M 13/02
248/280.11
4,402,481 A * 9/1983 Sasaki F16M 11/14
403/55
4,494,177 A * 1/1985 Matthews F21V 21/26
362/402
4,545,555 A * 10/1985 Koch F16M 11/10
248/280.11

(Continued)

FOREIGN PATENT DOCUMENTS

(**) Term: **15 Years**
(21) Appl. No.: **29/788,305**

AU 314688 6/2007
AU 318173 2/2008

(Continued)

(22) Filed: **Apr. 29, 2021**
(51) **LOC (13) Cl.** **14-01**
(52) **U.S. Cl.**
USPC **D14/229**
(58) **Field of Classification Search**
USPC D14/229, 226, 452; D8/380, 363;
403/111; D16/243; D6/680.2;
248/278.1, 276.1, 284.1; 174/68.3
CPC F16M 13/02; F16M 13/022; E04G 3/00
See application file for complete search history.

Primary Examiner — Paula Allen Greene
(74) *Attorney, Agent, or Firm* — Knobbe Martens Olson & Bear LLP

(57) **CLAIM**

The ornamental design for a microphone stand, as shown and described.

DESCRIPTION

FIG. 1 is a first perspective view of the microphone stand embodying the new design;
FIG. 2 is a second perspective view thereof, illustrating the microphone stand in another configuration;
FIG. 3 is a left side view thereof;
FIG. 4 is a right side view thereof;
FIG. 5 is a back view thereof;
FIG. 6 is a front view thereof;
FIG. 7 is a top view thereof; and
FIG. 8 is a bottom view thereof; and,
FIG. 9 is a perspective view of the microphone stand embodying the new design, illustrated with an example attachment mechanisms.

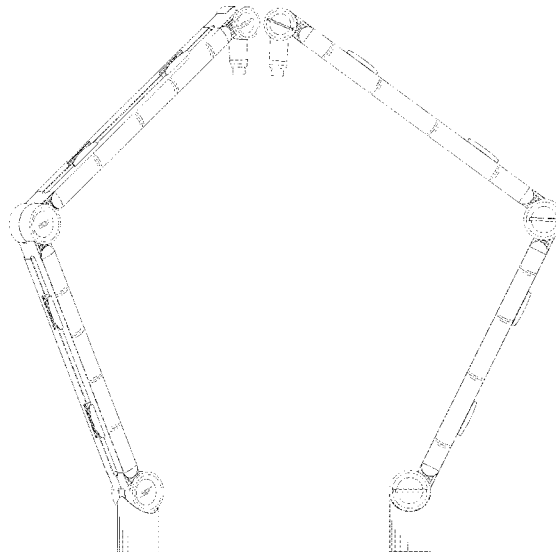
Broken lines are used to illustrate features of the microphone stand that form no part of the claimed design.

1 Claim, 9 Drawing Sheets

(56) **References Cited**

U.S. PATENT DOCUMENTS

3,193,674 A * 7/1965 Fleming F21V 21/26
248/278.1
3,243,497 A * 3/1966 Kendall A61N 5/01
248/278.1
3,374,347 A * 3/1968 Hirose F21V 21/26
403/111
3,417,953 A * 12/1968 Hillquist F16M 11/2092
248/586
3,543,019 A * 11/1970 Jacobsen F16M 11/10
362/413
3,774,873 A * 11/1973 Krogstrup F21V 21/26
248/324
3,820,752 A * 6/1974 Oram F16M 11/048
362/427



(56)

References Cited

U.S. PATENT DOCUMENTS

4,770,384 A * 9/1988 Kuwazima F16M 11/10
248/281.11
4,846,434 A * 7/1989 Krogsrud F16M 13/02
248/123.11
4,852,842 A * 8/1989 O'Neill F16M 11/2092
29/525.02
4,953,822 A * 9/1990 Sharber F16M 11/24
248/281.11
4,969,625 A * 11/1990 Singer B25H 1/0028
248/123.2
5,037,053 A * 8/1991 Fox A47F 5/0876
248/281.11
5,154,390 A * 10/1992 Bain F16M 13/022
248/447.2
5,170,975 A * 12/1992 Chadwick F16M 11/2064
403/53
5,538,214 A * 7/1996 Sinila F21V 21/26
248/278.1
5,743,503 A * 4/1998 Voeller F16M 11/2014
248/920
D435,852 S * 1/2001 Oddsen, Jr. D14/452
6,378,829 B1 * 4/2002 Strater F16M 13/02
248/283.1
6,736,364 B2 * 5/2004 Oddsen, Jr. F16M 11/2014
248/278.1
D494,183 S * 8/2004 Wills D14/452
D495,240 S 8/2004 Mnich et al.
6,896,230 B2 * 5/2005 Cvek F16M 11/10
248/276.1
D508,917 S * 8/2005 Wills D14/452
D519,990 S 5/2006 Lazor
D537,323 S * 2/2007 Saez D14/452
7,188,812 B2 * 3/2007 Wang F16M 11/2064
248/922
D570,853 S 6/2008 Derry et al.
D577,731 S * 9/2008 Altonji D14/452
7,726,616 B2 * 6/2010 Zhang F16M 11/2021
248/920
D631,052 S * 1/2011 Hung D14/452
8,070,114 B2 * 12/2011 Chen F16M 11/2021
248/278.1
D675,905 S 2/2013 Bowman et al.
8,366,060 B2 * 2/2013 Hung F16M 13/022
248/278.1
D712,945 S * 9/2014 Brucksch D16/132
D746,353 S 12/2015 Woodman et al.

9,706,843 B2 * 7/2017 Hung F16M 11/2064
9,709,217 B2 * 7/2017 Trinh F16M 11/105
D805,085 S * 12/2017 Xiang D14/452
D807,373 S * 1/2018 Thetard D14/452
D822,671 S * 7/2018 Chu D14/452
10,024,484 B2 * 7/2018 Brown F16M 11/041
D847,823 S * 5/2019 Monsalve D14/452
D848,444 S * 5/2019 Jung D14/452
D877,744 S * 3/2020 Xiang D14/452
D878,118 S 3/2020 Renwick
D881,853 S * 4/2020 Horton D14/229
D889,442 S * 7/2020 Bovin D14/228
10,845,000 B2 * 11/2020 Lau F16M 13/022
D916,709 S * 4/2021 Hung D14/452
11,118,729 B2 * 9/2021 Zebarjad F16M 13/022
D936,070 S * 11/2021 You D14/452
D939,516 S * 12/2021 You D14/452
D941,300 S * 1/2022 Huang D14/452
2003/0075658 A1 * 4/2003 Beissel, Jr. F16M 13/00
248/284.1
2004/0031893 A1 * 2/2004 Smed F16M 11/2092
248/278.1
2005/0230585 A1 * 10/2005 Hung F16M 13/02
248/278.1
2006/0273231 A1 * 12/2006 Huang F16M 11/2092
248/371
2011/0108689 A1 * 5/2011 Dorris F16M 11/041
248/220.21
2011/0147546 A1 * 6/2011 Monsalve F16M 11/2014
248/122.1
2012/0132771 A1 * 5/2012 Wang F16M 11/2014
248/278.1
2013/0161466 A1 * 6/2013 Lau H05K 5/0204
248/288.11
2013/0299658 A1 * 11/2013 Hung F16M 11/2014
248/276.1
2014/0367137 A1 * 12/2014 Leung H02G 1/00
174/68.3

FOREIGN PATENT DOCUMENTS

AU 201712335 5/2017
EM RCD 11/2003
000040928-0001
EM RCD 5/2021
008362032-0003
EM RCD 5/2021
008403703-0001

* cited by examiner

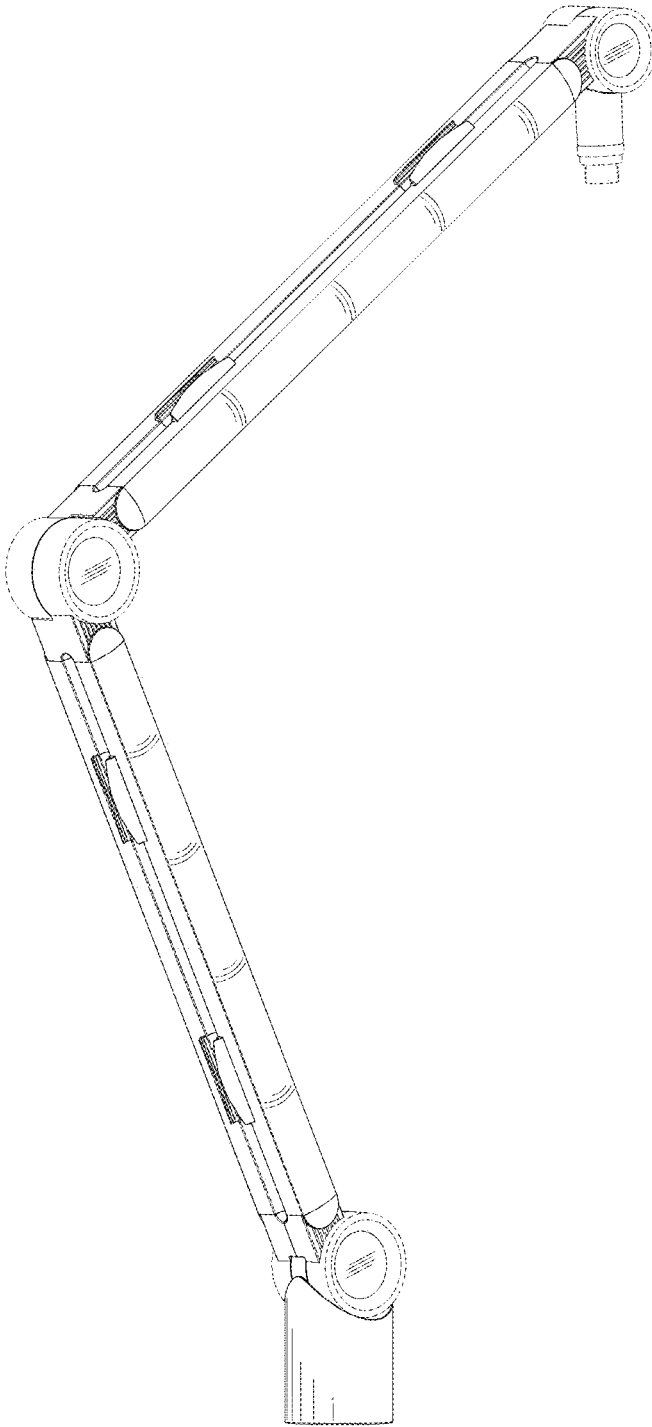


FIG. 1

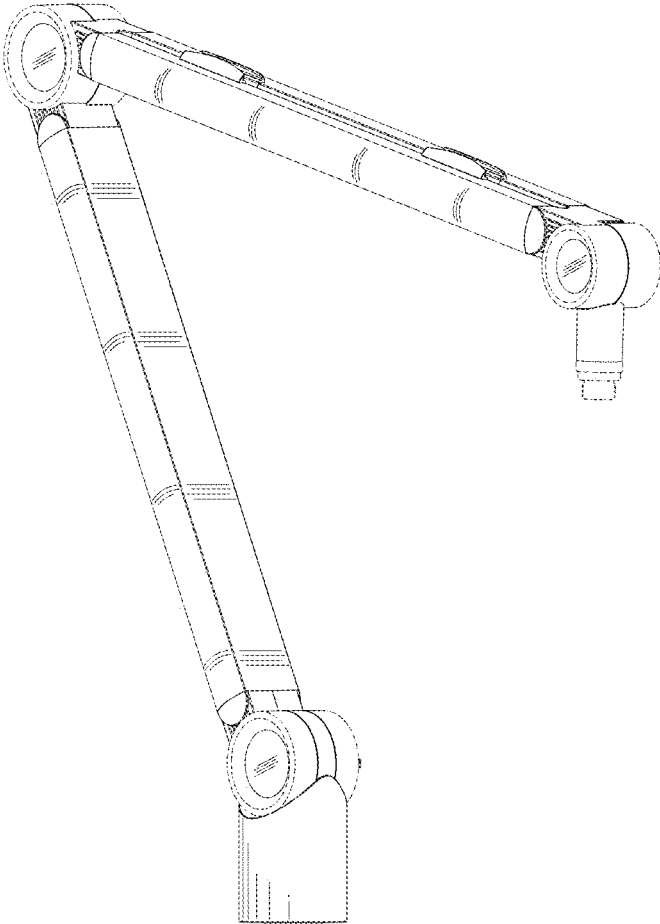


FIG.2

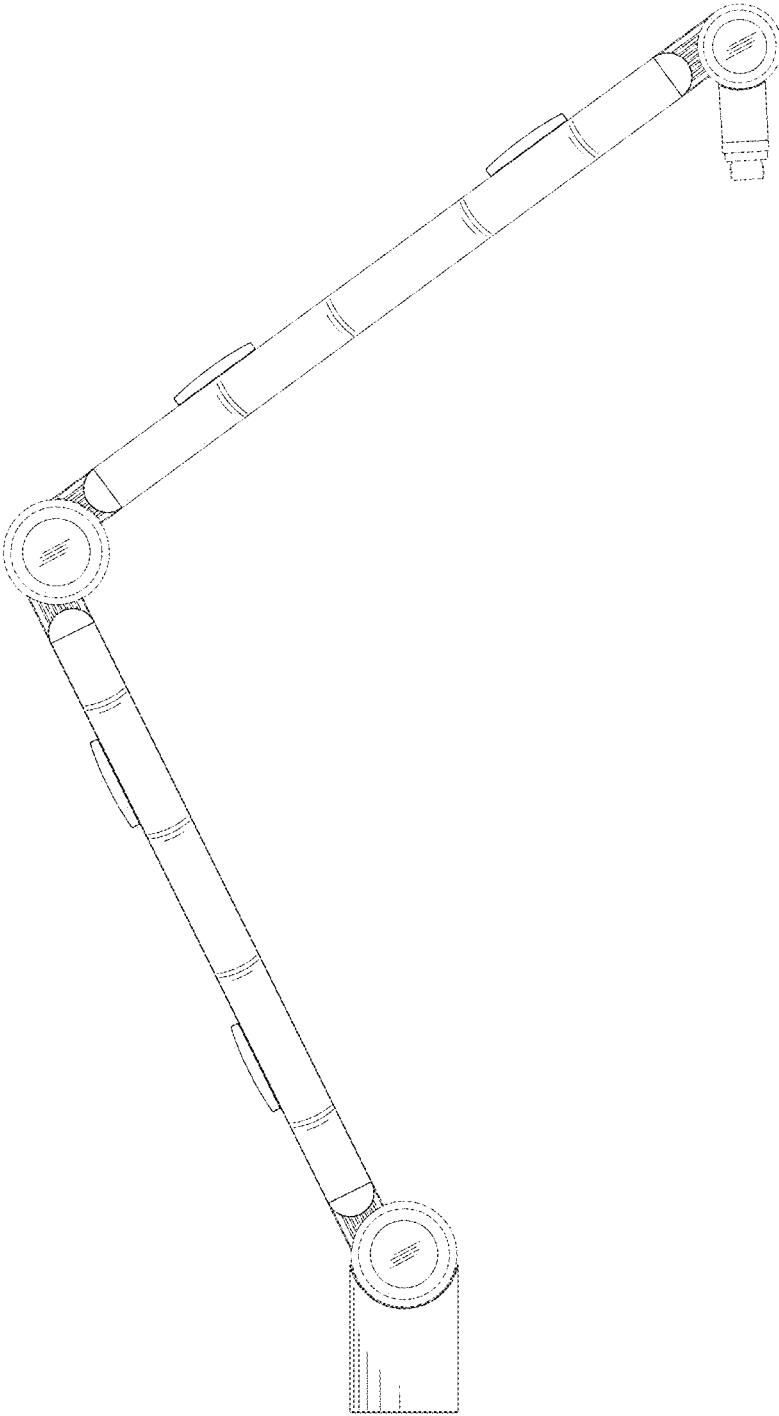


FIG.3

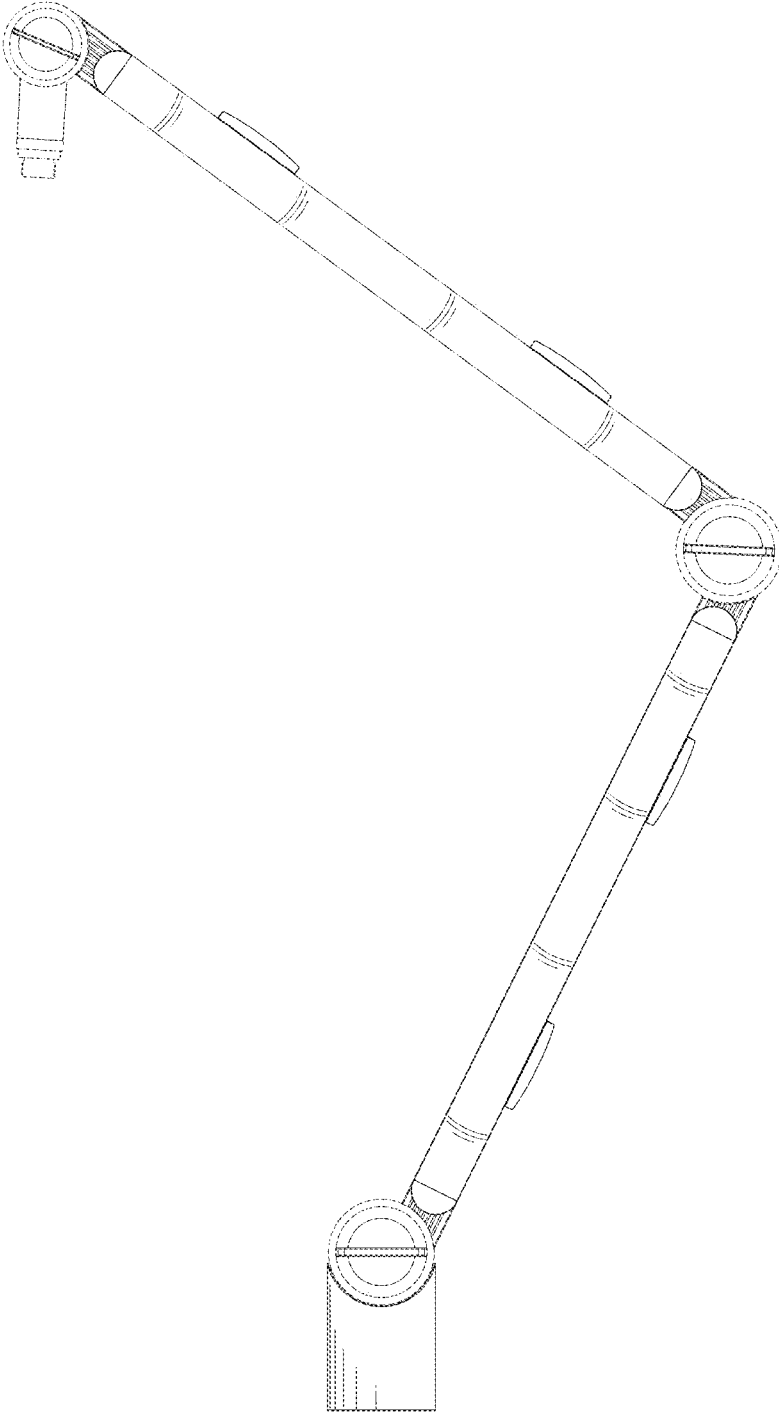


FIG.4

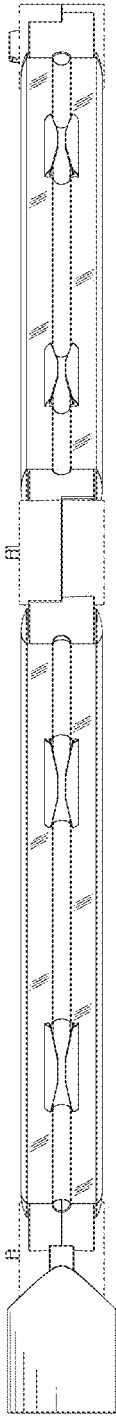


FIG.5

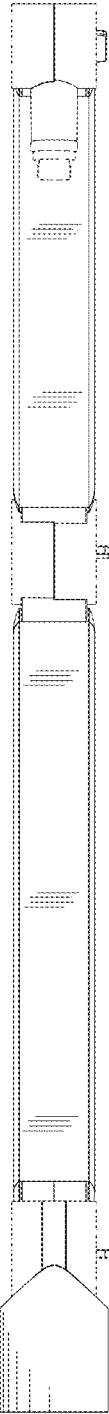


FIG.6

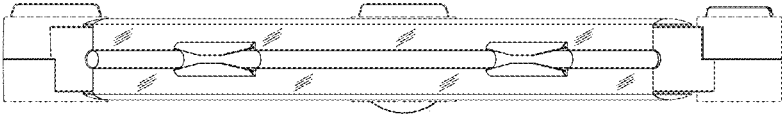


FIG.7

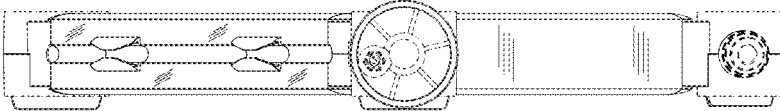


FIG.8

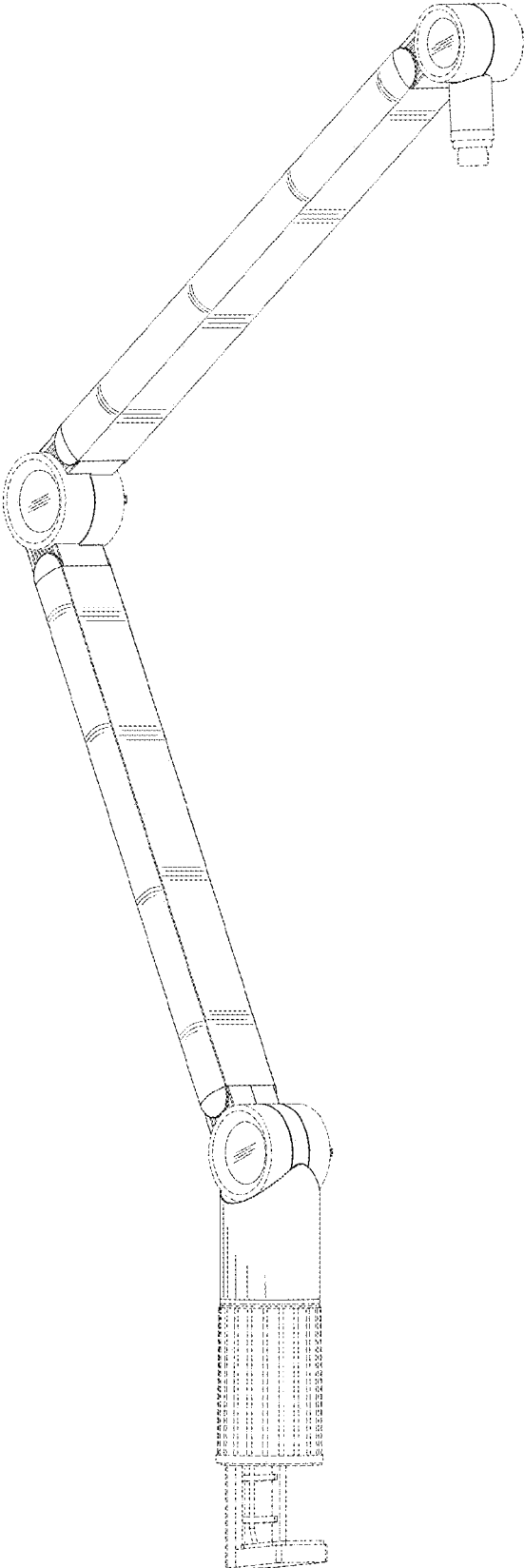


FIG.9