



US00D691761S

(12) **United States Design Patent**  
**Pratt et al.**

(10) **Patent No.:** **US D691,761 S**

(45) **Date of Patent:** **\*\* Oct. 15, 2013**

- (54) **LAMP**
- (71) Applicant: **Cree, Inc.**, Durham, NC (US)
- (72) Inventors: **Spencer Scott Pratt**, Cary, NC (US);  
**Nathan Ray Snell**, Raleigh, NC (US);  
**James Michael Lay**, Apex, NC (US)
- (73) Assignee: **Cree, Inc.**, Durham, NC (US)
- (\*\*) Term: **14 Years**
- (21) Appl. No.: **29/433,382**
- (22) Filed: **Sep. 28, 2012**
- (51) **LOC (9) Cl.** ..... **26-05**
- (52) **U.S. Cl.**  
USPC ..... **D26/74**
- (58) **Field of Classification Search**  
USPC ..... D26/24, 72, 80, 81, 83, 85, 88, 89,  
D26/91, 113, 118, 123, 124, 138, 74, 76;  
362/145, 146, 147, 148, 150, 153, 294, 296.01,  
362/296.07, 296.08, 311.07, 311.09, 311.1,  
362/345, 364, 365, 366, 373  
See application file for complete search history.

D640,820 S *	6/2011	Hopper .....	D26/74
8,100,559 B2 *	1/2012	Meadows et al. ....	362/260
D656,262 S *	3/2012	Yoshinobu et al. ....	D26/74
D658,802 S *	5/2012	Chen .....	D26/74
D668,809 S *	10/2012	Rashidi .....	D26/74
D669,620 S *	10/2012	Rashidi .....	D26/74
2010/0039829 A1 *	2/2010	Tsai .....	362/373

\* cited by examiner

*Primary Examiner* — Angela J Lee

(74) *Attorney, Agent, or Firm* — Dennis J. Williamson;  
Moore & Van Allen PLLC

(57) **CLAIM**

We claim the ornamental design for a lamp, as shown and described.

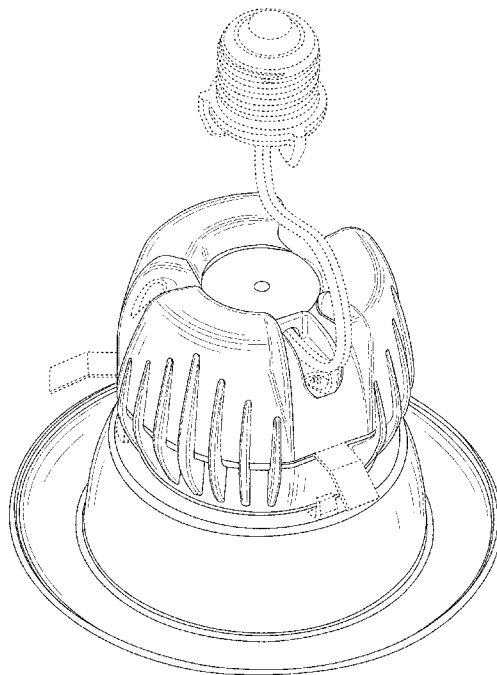
**DESCRIPTION**

FIG. 1 is a front view showing our new design for a lamp;  
 FIG. 2 is a right side view showing our new design shown in FIG. 1;  
 FIG. 3 is a left side view showing our new design shown in FIG. 1;  
 FIG. 4 is a back view showing our new design shown in FIG. 1;  
 FIG. 5 is a top view showing our new design shown in FIG. 1;  
 FIG. 6 is a bottom view showing our new design shown in FIG. 1; and,  
 FIG. 7 is a perspective view showing our new design shown in FIG. 1.

The portions shown in broken lines are not part of the claimed design but show the environment in which the design is associated.

**1 Claim, 7 Drawing Sheets**

- (56) **References Cited**  
U.S. PATENT DOCUMENTS
- |                |         |                     |         |
|----------------|---------|---------------------|---------|
| D320,862 S *   | 10/1991 | Moeller et al. .... | D26/24  |
| D326,537 S *   | 5/1992  | Gattari .....       | D26/74  |
| D591,894 S *   | 5/2009  | Flank .....         | D26/74  |
| D595,005 S *   | 6/2009  | Chou .....          | D26/74  |
| 7,722,227 B2 * | 5/2010  | Zhang et al. ....   | 362/364 |
| D624,691 S *   | 9/2010  | Zhang et al. ....   | D26/138 |



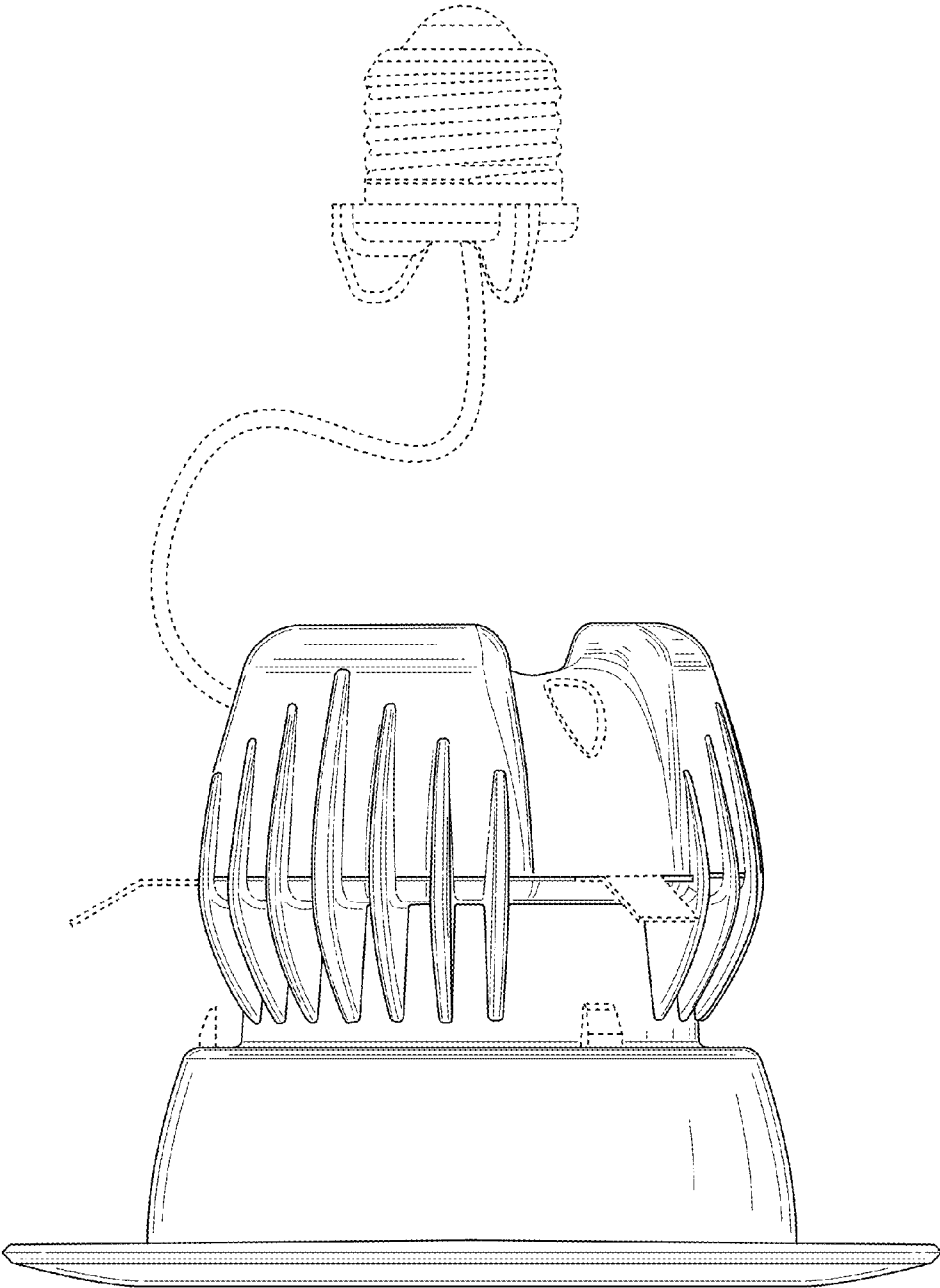


FIG. 1

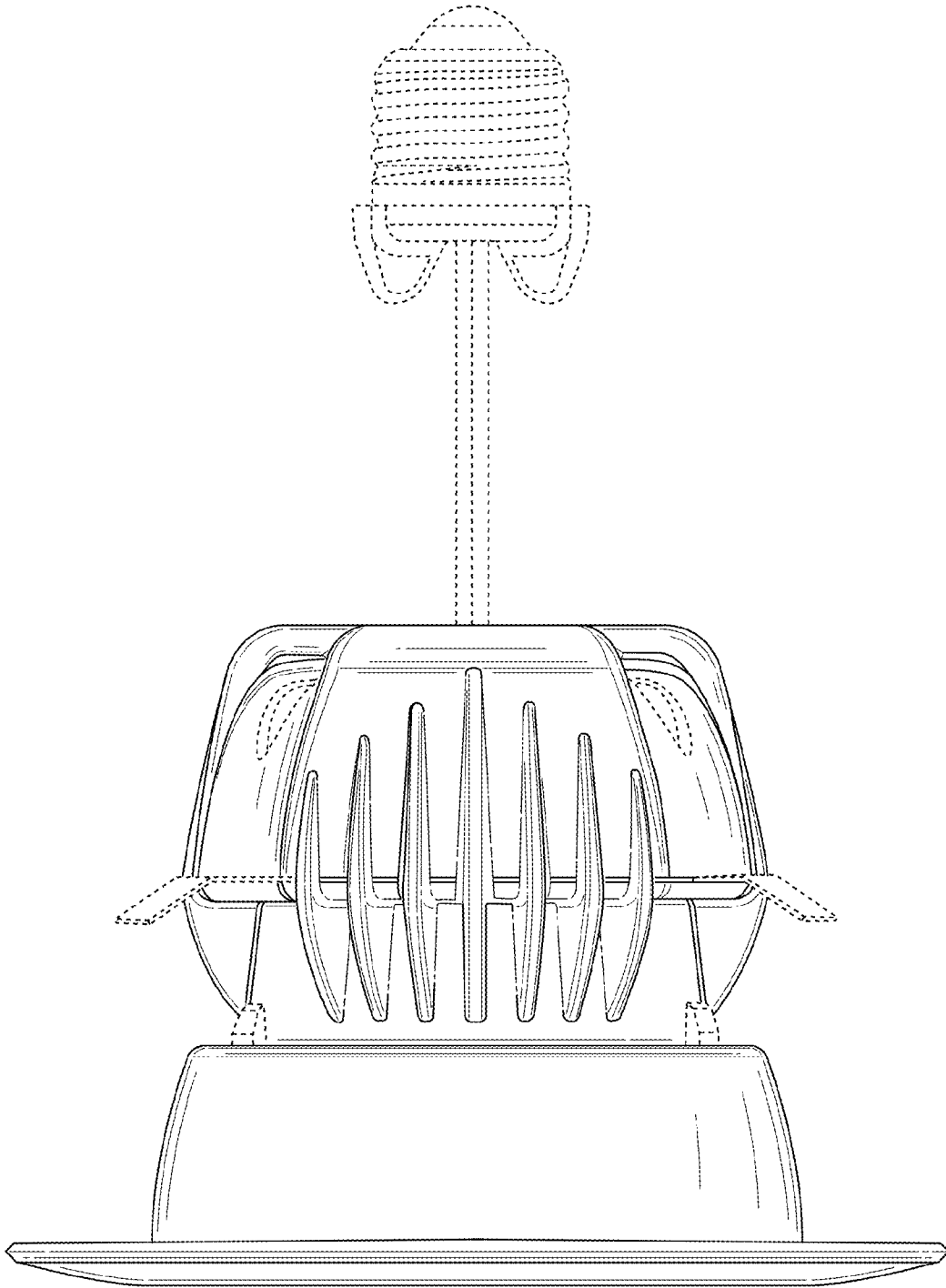


FIG. 2

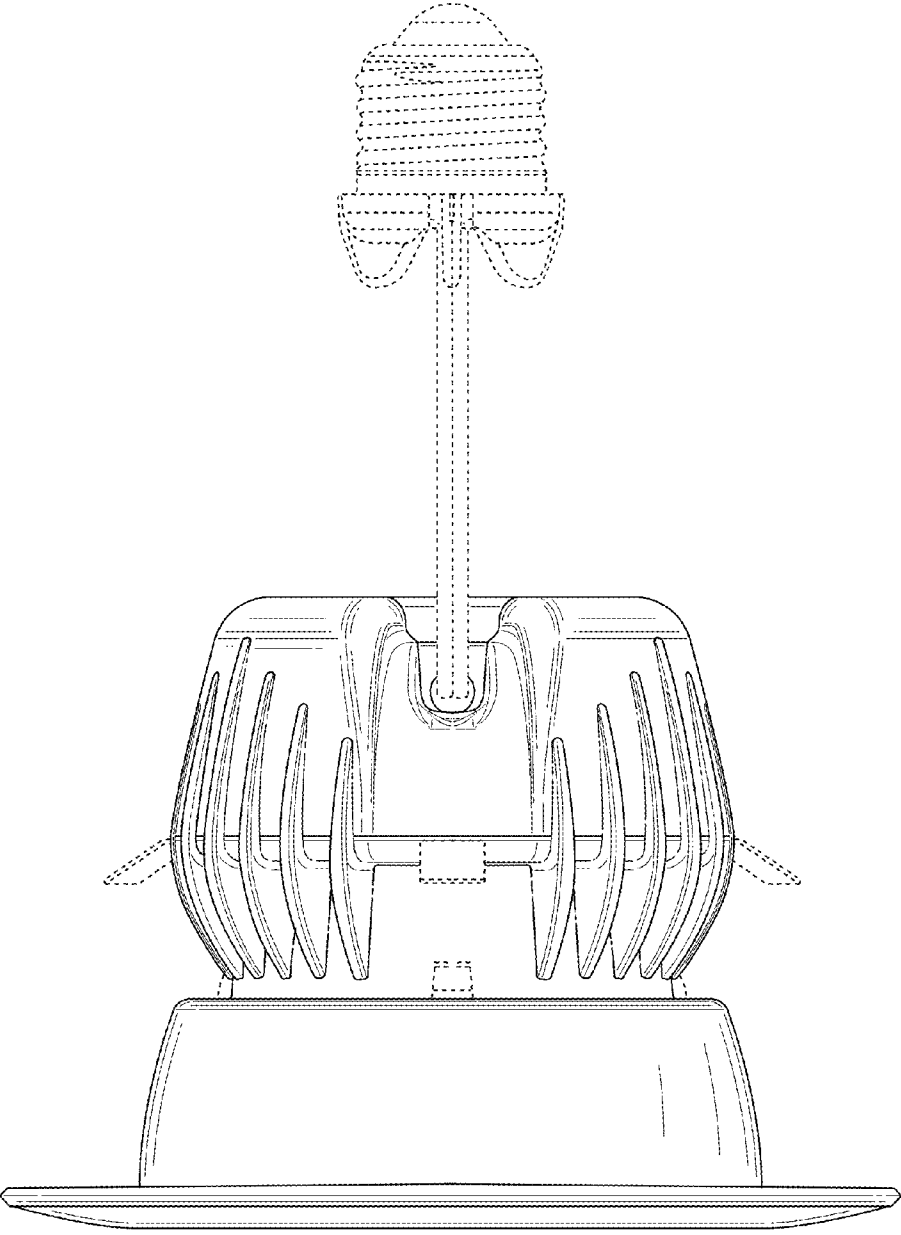


FIG. 3

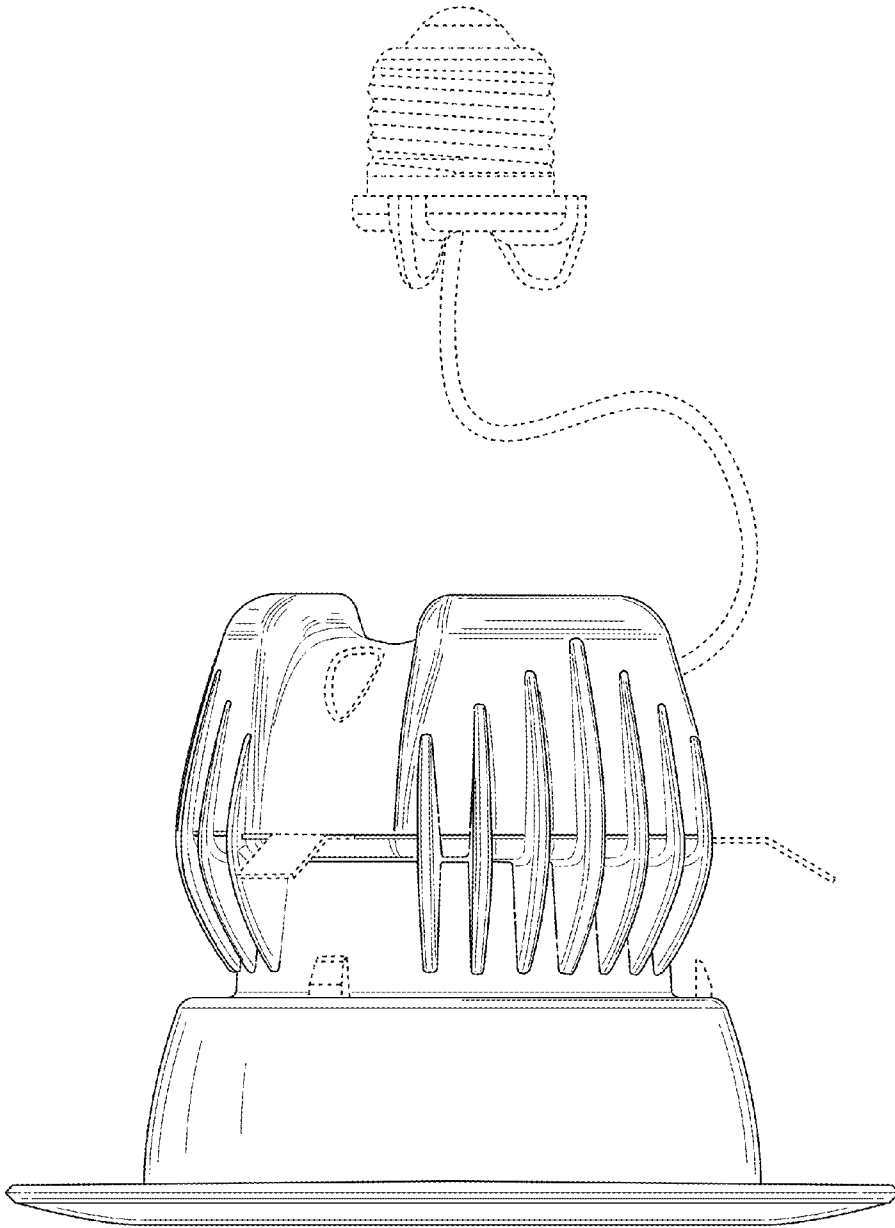


FIG. 4

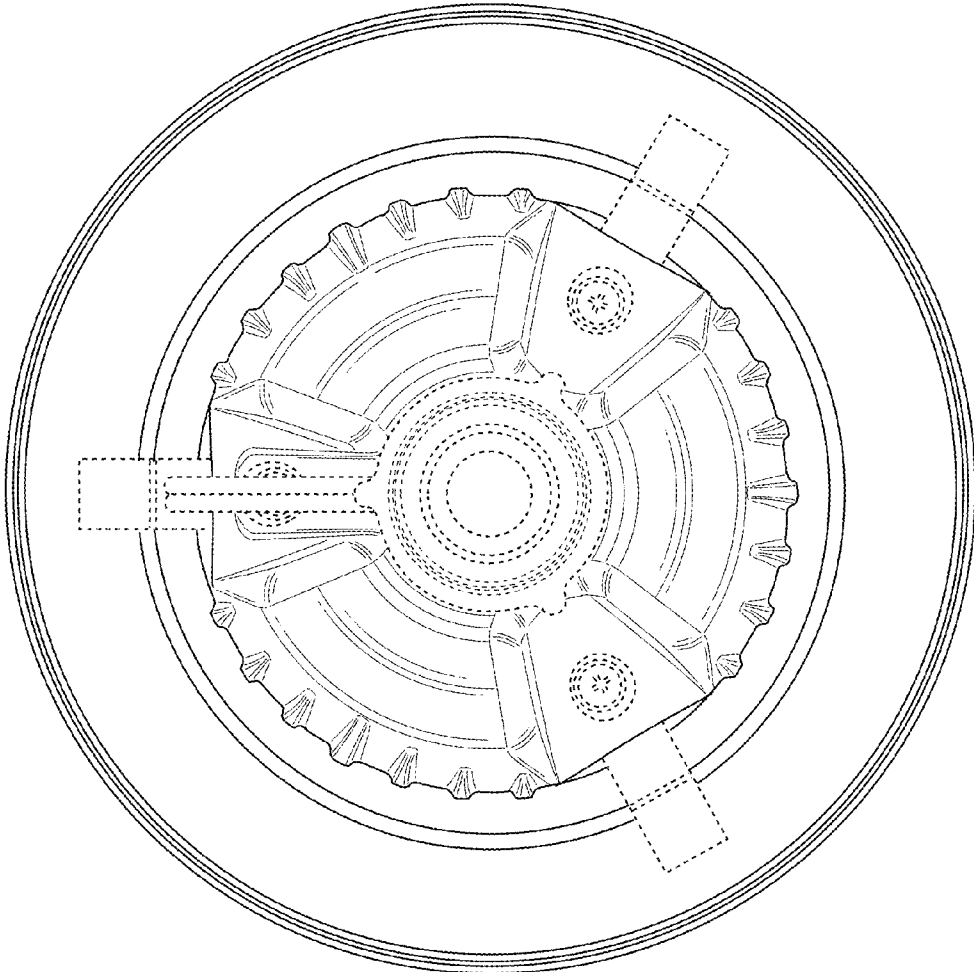
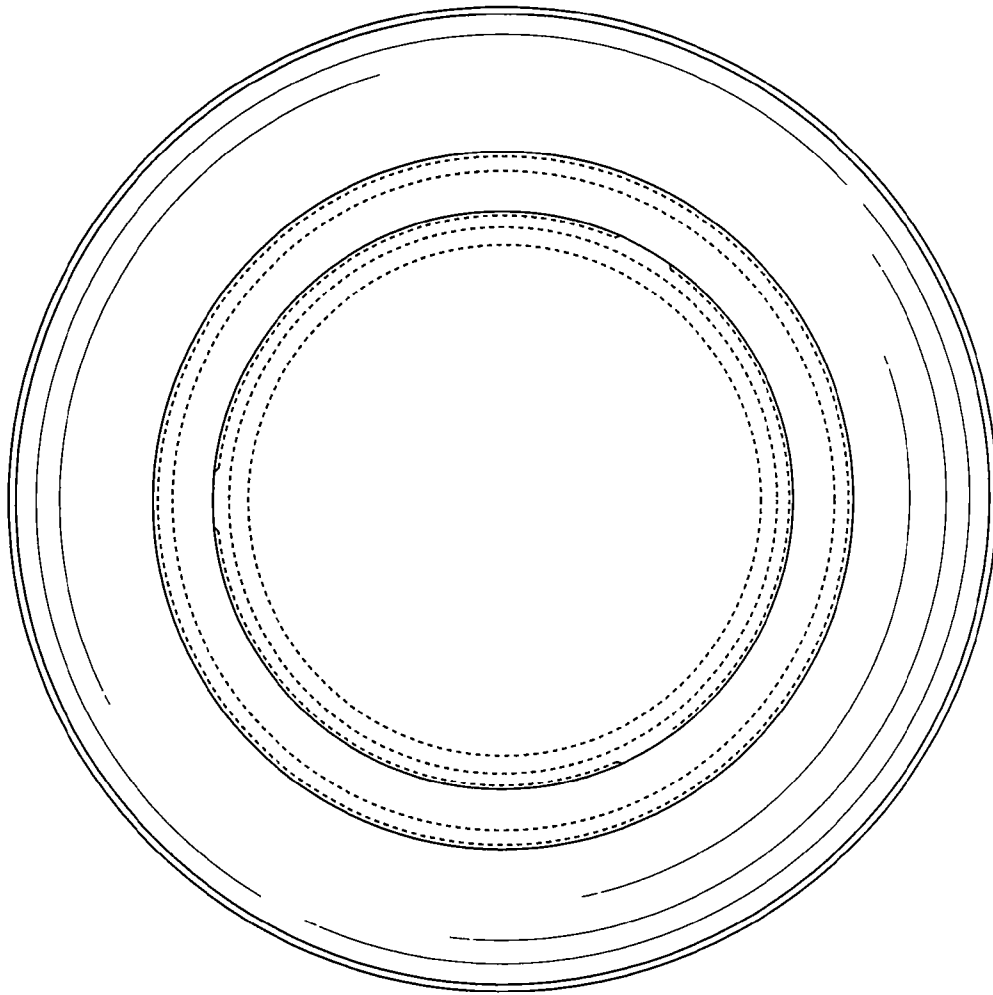


FIG. 5



**FIG. 6**

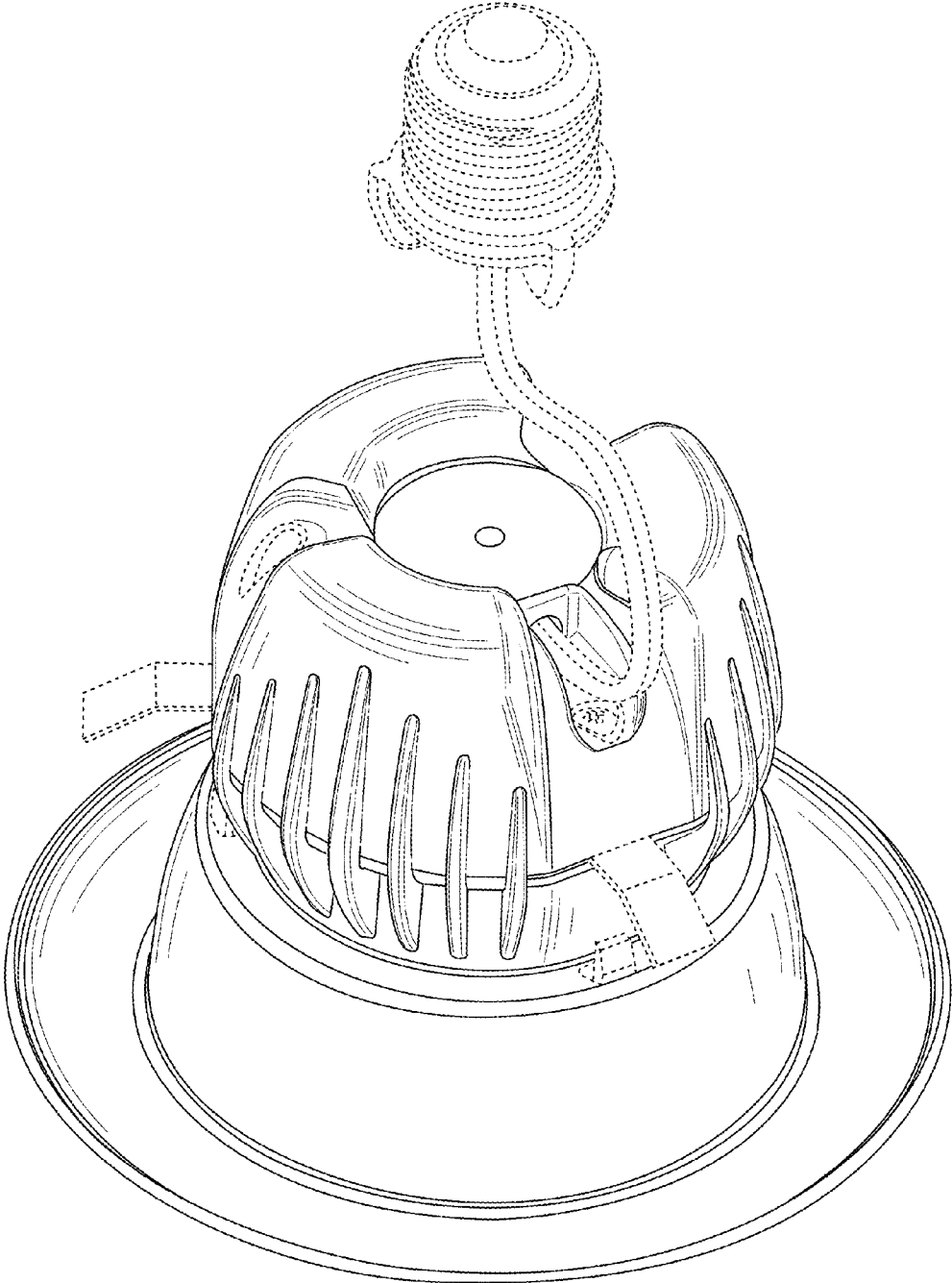


FIG. 7