



US00D731988S

(12) **United States Design Patent**  
**Urtiga et al.**

(10) **Patent No.:** **US D731,988 S**

(45) **Date of Patent:** **\*\* Jun. 16, 2015**

(54) **LED REPLACEMENT MODULE**

(71) Applicant: **GE Lighting Solutions, LLC**, East Cleveland, OH (US)

(72) Inventors: **Lucas Urtiga**, Laval (CA); **Florian Pop**, Lachine (CA); **Robert Spivock**, Lachine (CA)

(73) Assignee: **GE LIGHTING SOLUTIONS, LLC**, East Cleveland, OH (US)

(\*\*) Term: **14 Years**

(21) Appl. No.: **29/467,334**

(22) Filed: **Sep. 18, 2013**

(51) **LOC (10) Cl.** ..... **13-03**

(52) **U.S. Cl.**  
USPC ..... **D13/180; D26/113**

(58) **Field of Classification Search**  
USPC ..... D13/180; D26/2, 3, 26, 28, 42, 113, D26/138; 257/79, 80, 81, 88, 89, 95, 98, 99, 257/100, E33.058; 313/483, 498, 500; 362/249.11, 800

See application file for complete search history.

D660,509 S \* 5/2012 Hsu et al. .... D26/142  
D666,333 S \* 8/2012 Kim et al. .... D26/2  
8,348,476 B2 \* 1/2013 Fletcher et al. .... 362/363  
D680,261 S \* 4/2013 Kong et al. .... D26/113  
8,491,163 B2 \* 7/2013 Higuchi et al. .... 362/294  
D700,577 S \* 3/2014 Ding et al. .... D13/134  
8,783,938 B2 \* 7/2014 Alexander et al. .... 362/655  
2009/0034283 A1 \* 2/2009 Albright et al. .... 362/545  
2009/0147517 A1 \* 6/2009 Li et al. .... 362/249.02  
2009/0201683 A1 \* 8/2009 Chuan ..... 362/294  
2010/0033972 A1 \* 2/2010 Maglica et al. .... 362/294  
2011/0019409 A1 \* 1/2011 Wronski ..... 362/235  
2011/0063849 A1 \* 3/2011 Alexander et al. .... 362/294  
2011/0140147 A1 \* 6/2011 Chen et al. .... 257/98  
2011/0193111 A1 \* 8/2011 Seo et al. .... 257/89  
2012/0267653 A1 \* 10/2012 Harbers et al. .... 257/89  
2012/0327665 A1 \* 12/2012 Pickard et al. .... 362/294  
2013/0272016 A1 \* 10/2013 Weaver ..... 362/555

\* cited by examiner

Primary Examiner — Selina Sikder

(74) Attorney, Agent, or Firm — GE Global Patent Operation; Peter T. DiMauro

(57) **CLAIM**

We claim the ornamental design for a LED replacement module, as shown and described.

**DESCRIPTION**

FIG. 1 is a front perspective view of a LED replacement module in accordance with the present design;  
FIG. 2 is a rear perspective view thereof;  
FIG. 3 is a front elevation view thereof;  
FIG. 4 is a rear elevation view thereof;  
FIG. 5 is a top plan view thereof;  
FIG. 6 is a bottom plan view thereof;  
FIG. 7 is a right side elevation view thereof; and,  
FIG. 8 is a left side elevation view thereof.

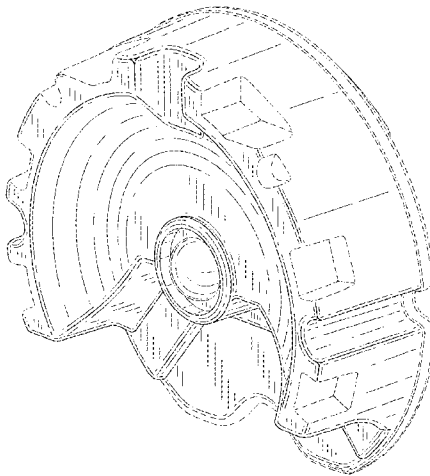
The broken lines are for illustrative purposes only and form no part of the claimed design. Any shading forms no part of the claimed design and is provided to illustrate contour only and is not an indication of texture, gloss, and the like.

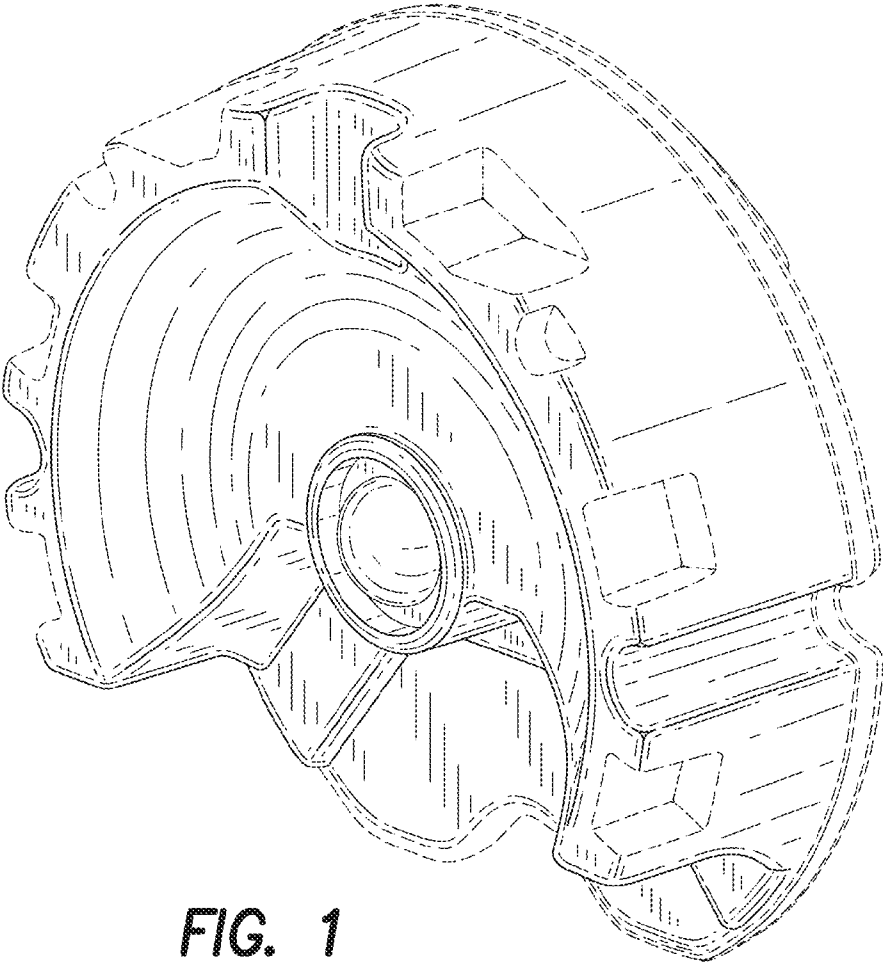
**1 Claim, 6 Drawing Sheets**

(56) **References Cited**

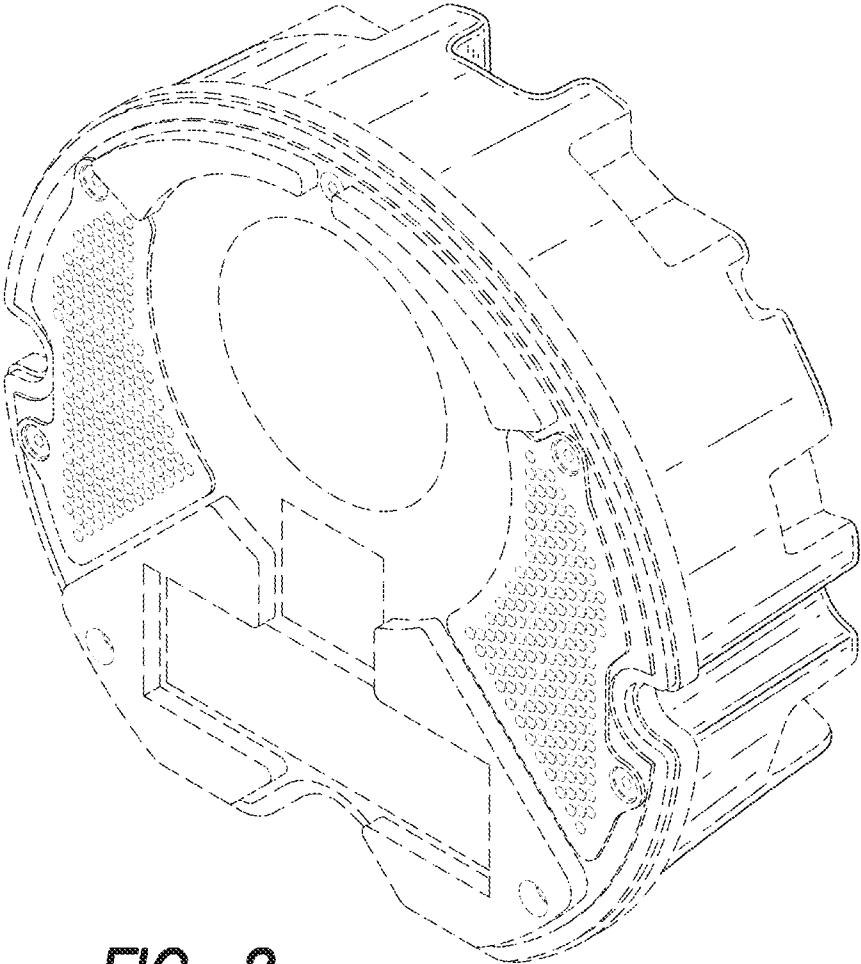
U.S. PATENT DOCUMENTS

D415,104 S \* 10/1999 Klaus et al. .... D13/134  
D448,096 S \* 9/2001 Choi ..... D26/3  
6,435,459 B1 8/2002 Sanderson et al.  
6,787,999 B2 \* 9/2004 Stimac et al. .... 315/51  
D568,832 S \* 5/2008 Kang et al. .... D13/180  
7,396,146 B2 \* 7/2008 Wang ..... 362/294  
D586,765 S \* 2/2009 Won et al. .... D13/180  
D598,873 S \* 8/2009 Tseng ..... D13/180  
D602,869 S \* 10/2009 Vogt et al. .... D13/134  
7,824,076 B2 \* 11/2010 Koester ..... 362/294  
8,026,529 B2 \* 9/2011 Huang ..... 257/98  
8,052,310 B2 \* 11/2011 Gingrinch et al. .... 362/311.02  
D650,518 S \* 12/2011 Fletcher et al. .... D26/138  
8,152,336 B2 \* 4/2012 Alexander et al. .... 362/249.11  
D659,893 S \* 5/2012 Ding et al. .... D26/113

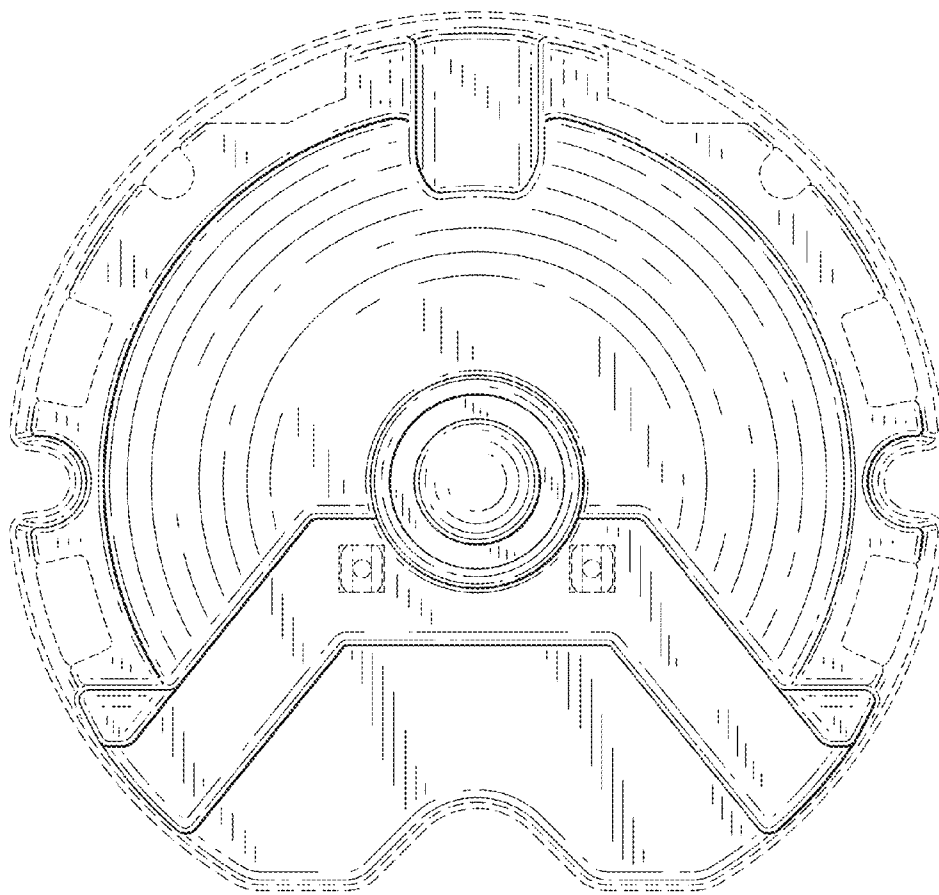




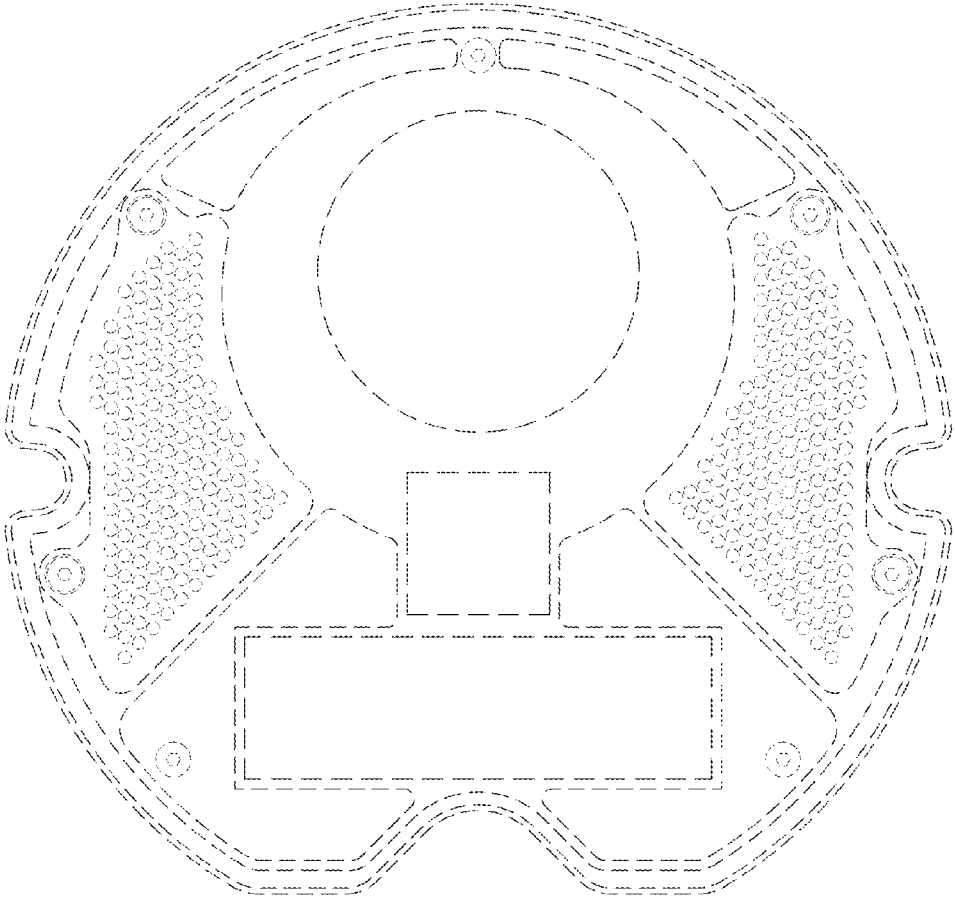
**FIG. 1**



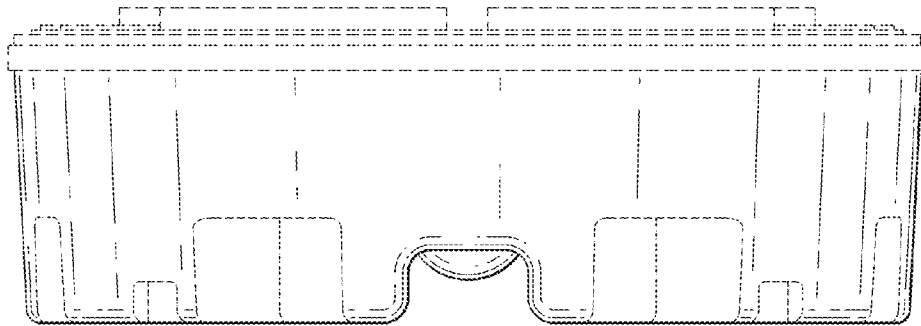
**FIG. 2**



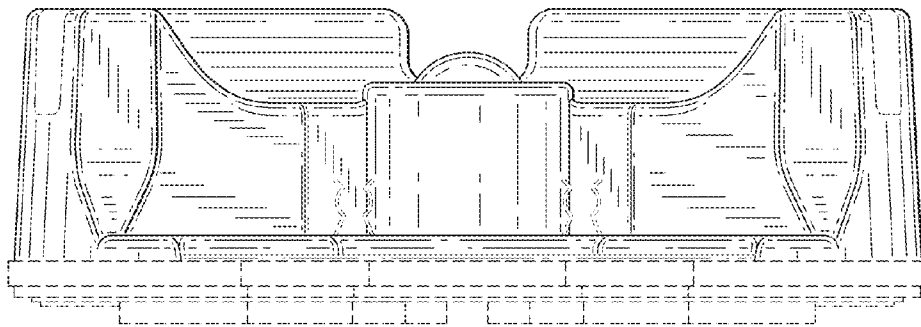
**FIG. 3**



**FIG. 4**



**FIG. 5**



**FIG. 6**

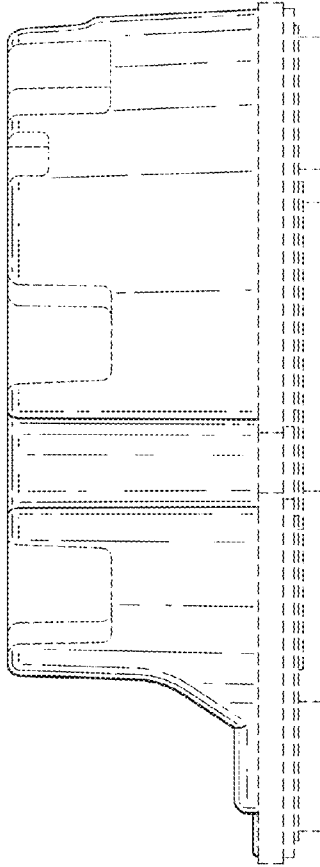


FIG. 7

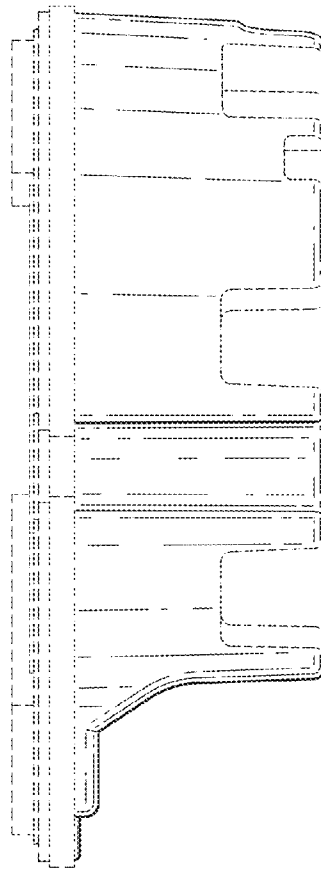


FIG. 8