



US00D704735S

(12) **United States Design Patent**
Hollobaugh et al.

(10) **Patent No.:** **US D704,735 S**

(45) **Date of Patent:** **** May 13, 2014**

- (54) **DISPLAY SCREEN WITH ICON**
- (71) Applicant: **Microsoft Corporation**, Redmond, WA (US)
- (72) Inventors: **Gregory J. Hollobaugh**, Seattle, WA (US); **Han-Yi Shaw**, Redmond, WA (US); **Jeffery Boettcher**, Monroe, WA (US)
- (73) Assignee: **Microsoft Corporation**, Redmond, WA (US)
- (**) Term: **14 Years**

| | | | | | | |
|-----------|----|---|---------|-----------------|-------|---------|
| 6,747,631 | B1 | * | 6/2004 | Sakamaki et al. | | 345/157 |
| D544,871 | S | * | 6/2007 | Lim et al. | | D14/485 |
| D563,981 | S | * | 3/2008 | Montagne et al. | | D14/489 |
| D602,027 | S | * | 10/2009 | Queric | | D14/485 |
| D602,028 | S | * | 10/2009 | Queric | | D14/485 |
| D611,953 | S | * | 3/2010 | Fletcher et al. | | D14/489 |
| D665,409 | S | * | 8/2012 | Gupta et al. | | D14/488 |
| D670,310 | S | * | 11/2012 | Saito | | D14/489 |
| D678,901 | S | * | 3/2013 | Gleasant | | D14/489 |
| D688,676 | S | * | 8/2013 | Okumura et al. | | D14/486 |
| D697,531 | S | * | 1/2014 | Phelan | | D14/489 |

* cited by examiner

Primary Examiner — Angela J Lee

(74) *Attorney, Agent, or Firm* — Banner & Witcoff, Ltd.

- (21) Appl. No.: **29/448,578**
- (22) Filed: **Mar. 13, 2013**
- (51) **LOC (10) Cl.** **14-04**
- (52) **U.S. Cl.**
USPC **D14/489**
- (58) **Field of Classification Search**
USPC D14/485–495; 715/715, 727, 728, 763, 715/779, 810, 825, 835, 836, 837, 838, 839, 715/840, 845, 846, 847, 864, 962, 976, 977
See application file for complete search history.

(57) **CLAIM**

The ornamental design for a display screen with icon, as shown and described.

DESCRIPTION

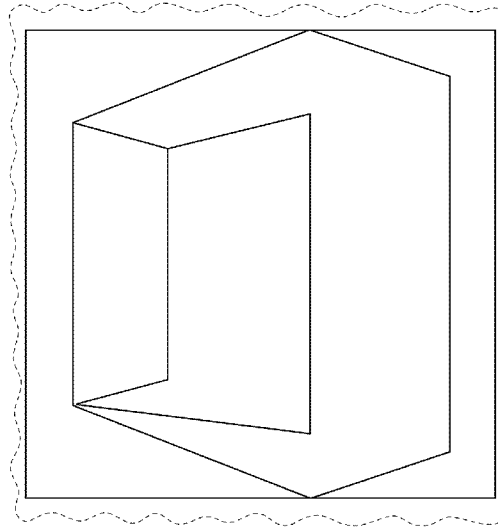
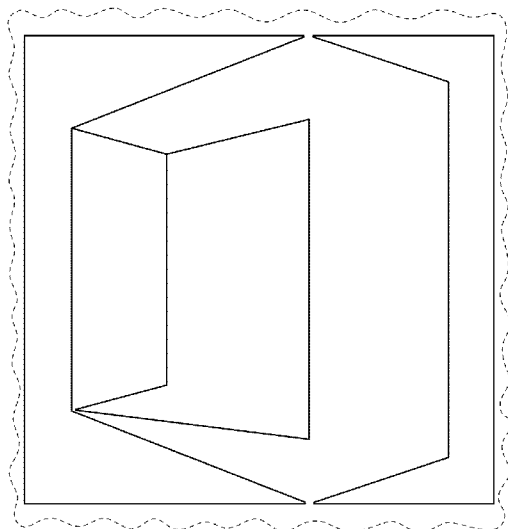
FIG. 1 is a front view of a display screen with icon showing our new design; and, FIG. 2 is a front view of a display screen with icon showing an alternative embodiment of our new design. The broken line showing of the remainder of the user interface and display screen is for environmental purposes only and forms no part of the claimed design.

(56) **References Cited**

U.S. PATENT DOCUMENTS

| | | | | | | |
|----------|---|---|---------|-----------------|-------|---------|
| D385,868 | S | * | 11/1997 | Fumarolo et al. | | D14/489 |
| D393,840 | S | * | 4/1998 | Sakazume | | D14/489 |

1 Claim, 2 Drawing Sheets



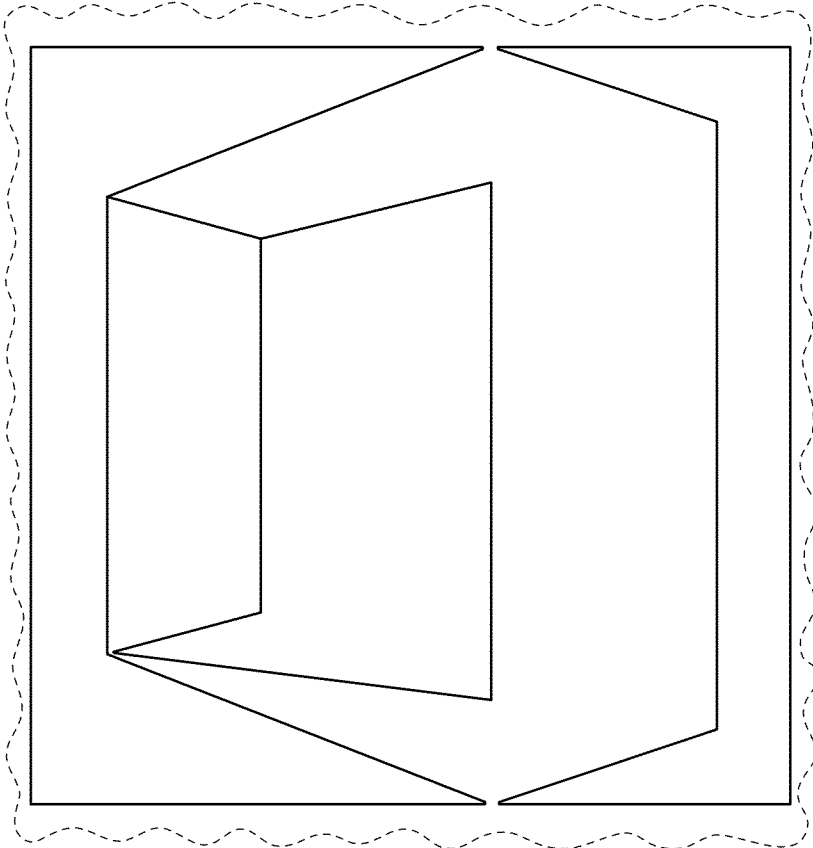


FIGURE 1

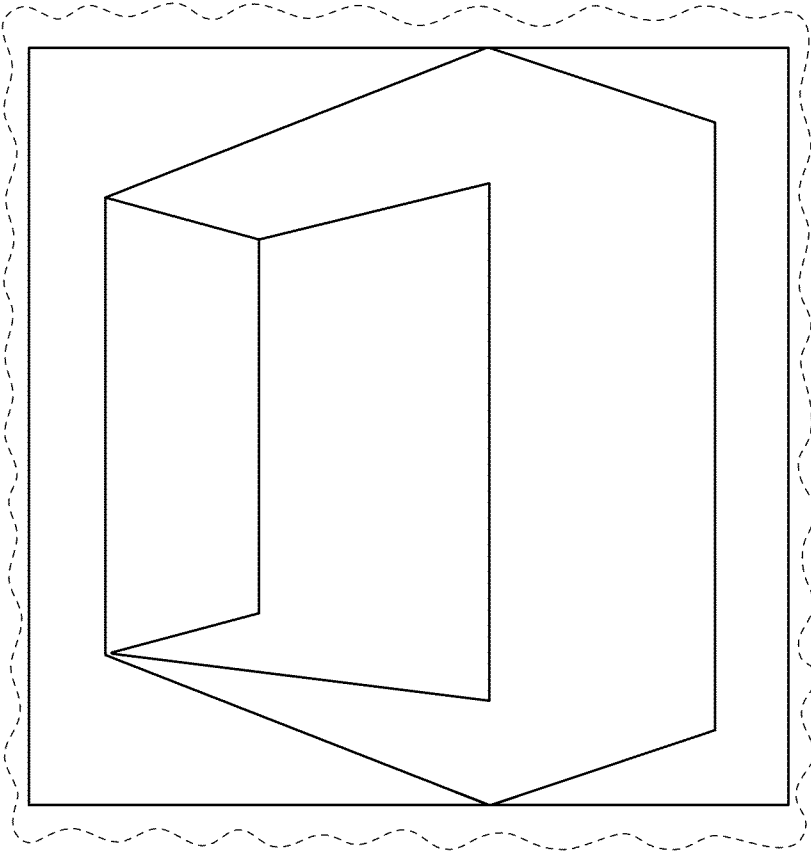


FIGURE 2