



US00D709507S

(12) **United States Design Patent**  
**McParland et al.**

(10) **Patent No.:** **US D709,507 S**

(45) **Date of Patent:** **\*\* Jul. 22, 2014**

(54) **STORAGE CARTRIDGE**

(75) Inventors: **Paul T. McParland**, Saratoga, CA (US);  
**Ming-Hsueh Tsai**, Taipei (TW);  
**Mu-Jung Chen**, Gongyuan Taipei (TW)

(73) Assignee: **Seagate Technology LLC**, Cupertino,  
CA (US)

(\*\*) Term: **14 Years**

(21) Appl. No.: **29/405,706**

(22) Filed: **Nov. 4, 2011**

(51) **LOC (10) Cl.** ..... **14-02**

(52) **U.S. Cl.**  
USPC ..... **D14/435**

(58) **Field of Classification Search**

USPC ..... D14/432-435, 483, 474, 477, 479, 496,  
D14/367, 353, 242, 356, 348, 362-366;  
360/133, 97.01-97.02, 234.2, 236.6,  
360/132, 92, 236.9; 361/684-685; 720/737,  
720/600, 725; D13/133; D21/332;  
369/75.11

See application file for complete search history.

D330,014 S \* 10/1992 Yun ..... D14/353  
D330,198 S \* 10/1992 Lajara et al. .... D14/435  
D330,704 S \* 11/1992 Wagner ..... D14/242  
D331,391 S \* 12/1992 Furuta et al. .... D14/353  
D331,394 S \* 12/1992 Kobayashi et al. .... D14/242  
D331,569 S \* 12/1992 Hong ..... D14/353  
D334,553 S \* 4/1993 Kobayashi et al. .... D14/242  
D339,115 S \* 9/1993 Eilertsen ..... D14/242  
D340,444 S \* 10/1993 Kuba et al. .... D14/353  
D344,954 S \* 3/1994 Scheid et al. .... D14/242  
D346,606 S \* 5/1994 Harris et al. .... D14/242  
D346,607 S \* 5/1994 Bhargava et al. .... D14/242  
D348,448 S \* 7/1994 Read et al. .... D14/365  
D348,888 S \* 7/1994 Fenton et al. .... D14/242  
D351,841 S \* 10/1994 Blankenship et al. .... D14/242  
D354,500 S \* 1/1995 Georgopoulos ..... D14/242  
D357,903 S \* 5/1995 Lin ..... D14/353  
D358,138 S \* 5/1995 Koyanagi et al. .... D14/368  
D358,380 S \* 5/1995 Sakaguchi ..... D14/357

(Continued)

Primary Examiner — Susan Moon Lee

(74) *Attorney, Agent, or Firm* — Mueting, Raasch &  
Gebhardt

(57) **CLAIM**

The ornamental design for a storage cartridge, as shown and  
described.

(56) **References Cited**

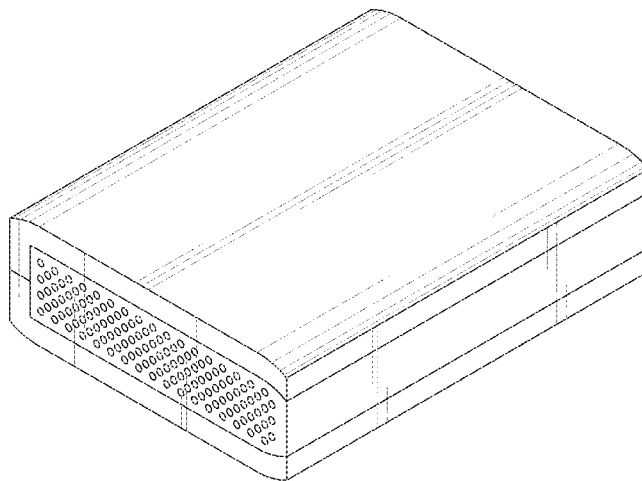
U.S. PATENT DOCUMENTS

D265,906 S \* 8/1982 Steinbugler ..... D14/242  
D269,345 S \* 6/1983 Payne et al. .... D14/242  
D269,697 S \* 7/1983 Graham et al. .... D23/245  
D282,260 S \* 1/1986 Carlson et al. .... D14/435  
D289,765 S \* 5/1987 Eto et al. .... D14/435  
D291,443 S \* 8/1987 Pedinielli et al. .... D14/242  
D297,633 S \* 9/1988 Peroni ..... D13/184  
D304,823 S \* 11/1989 Pfeifer et al. .... D14/353  
D309,731 S \* 8/1990 Takai ..... D14/242  
D311,740 S \* 10/1990 Wagner ..... D14/358  
D311,910 S \* 11/1990 Pedinielli et al. .... D14/242  
D311,911 S \* 11/1990 Ueno et al. .... D14/242  
D317,445 S \* 6/1991 Sacherman ..... D14/353  
D323,818 S \* 2/1992 Willis et al. .... D14/353  
5,119,497 A \* 6/1992 Freige et al. .... 361/679.46

**DESCRIPTION**

FIG. 1 is a front perspective view of a storage cartridge  
showing my new design;  
FIG. 2 is a front view thereof;  
FIG. 3 is a rear view thereof;  
FIG. 4 is a right side view thereof;  
FIG. 5 is a left side view thereof;  
FIG. 6 is a top view thereof; and,  
FIG. 7 is a bottom view thereof.  
FIG. 8 is a front perspective of another embodiment of the  
storage cartridge.  
Broken lines and unshaded portions contained within broken  
lines are not claimed.

**1 Claim, 5 Drawing Sheets**



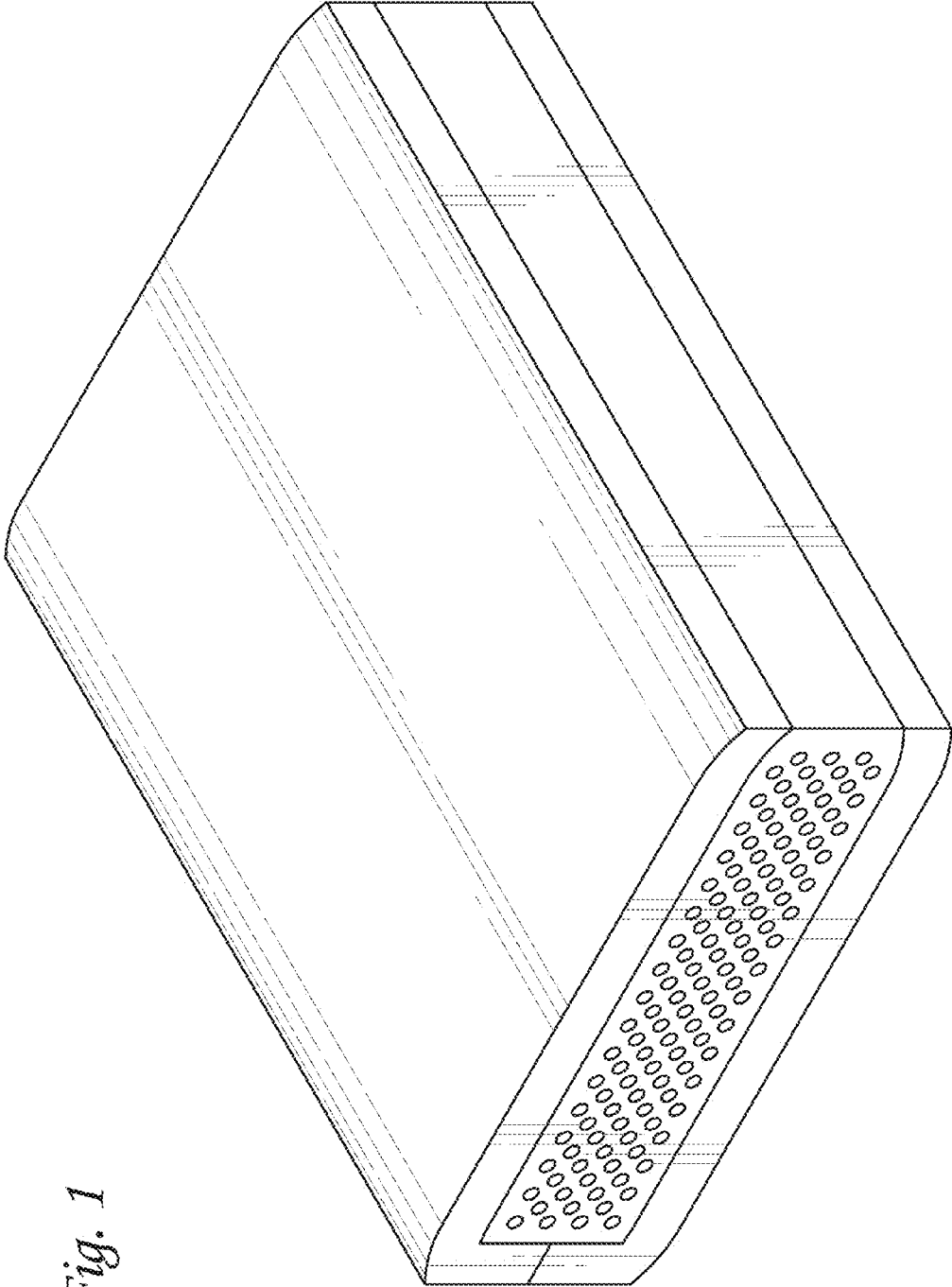
(56)

## References Cited

## U.S. PATENT DOCUMENTS

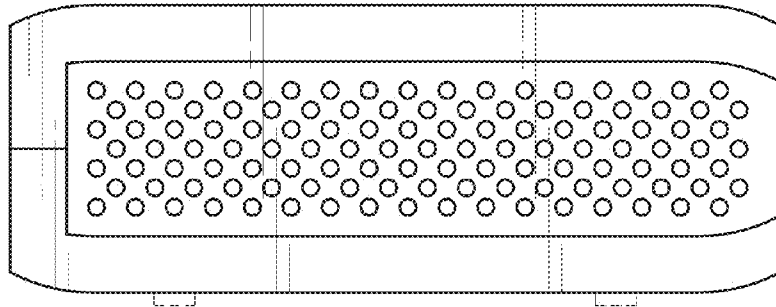
D359,477	S	*	6/1995	Shoda	.....	D14/353
D366,255	S	*	1/1996	Mihalik et al.	.....	D14/435
D368,429	S	*	4/1996	Serio, Jr.	.....	D9/431
D373,117	S	*	8/1996	Barthelemy et al.	.....	D14/353
5,564,802	A	*	10/1996	Chiou	.....	312/111
D375,485	S	*	11/1996	Gray	.....	D14/351
D380,461	S	*	7/1997	Mihalik et al.	.....	D14/435
D383,139	S	*	9/1997	Hill et al.	.....	D14/242
D383,732	S	*	9/1997	Haley et al.	.....	D14/435
D394,386	S	*	5/1998	Fischer	.....	D9/432
D396,043	S	*	7/1998	Liao	.....	D14/242
D400,866	S	*	11/1998	Lee	.....	D14/348
D406,823	S	*	3/1999	Dorr et al.	.....	D14/353
D408,417	S	*	4/1999	Ota et al.	.....	D14/242
D410,446	S	*	6/1999	Konshak et al.	.....	D14/367
5,921,422	A	*	7/1999	Hunter et al.	.....	220/4.02
D413,333	S	*	8/1999	Kitajima et al.	.....	D14/242
D415,129	S	*	10/1999	Wu	.....	D14/353
D416,562	S	*	11/1999	Larson et al.	.....	D14/242
D417,223	S	*	11/1999	Groves et al.	.....	D14/242
D420,676	S	*	2/2000	Wang et al.	.....	D14/242
D422,272	S	*	4/2000	Liang	.....	D14/353
D422,574	S	*	4/2000	Fujii et al.	.....	D14/368
D427,193	S	*	6/2000	Fedele	.....	D14/348
D428,885	S	*	8/2000	Masuda et al.	.....	D14/348
D431,557	S	*	10/2000	Lutz et al.	.....	D14/242
D453,019	S	*	1/2002	Oba	.....	D14/348
D464,341	S	*	10/2002	Tanaka	.....	D14/242
D471,693	S	*	3/2003	Wolff	.....	D1/127
6,549,397	B1	*	4/2003	Diaz et al.	.....	361/679.6
D477,824	S	*	7/2003	Taniguchi	.....	D14/434
D484,504	S	*	12/2003	Chuang	.....	D14/367
D492,661	S	*	7/2004	Masamitsu et al.	.....	D14/499
D493,165	S	*	7/2004	Kiple et al.	.....	D14/242
D496,039	S	*	9/2004	Kerrigan et al.	.....	D14/367
6,891,721	B2	*	5/2005	Huang	.....	361/679.33
D512,059	S	*	11/2005	Zhang et al.	.....	D14/348
D513,253	S	*	12/2005	Kawasaki	.....	D14/363
D515,090	S	*	2/2006	Huang	.....	D14/367
D530,323	S	*	10/2006	Hsu	.....	D14/348
D531,178	S	*	10/2006	Lee	.....	D14/367
D538,803	S	*	3/2007	Chen et al.	.....	D14/348
D542,784	S	*	5/2007	Franck et al.	.....	D14/240
D560,666	S	*	1/2008	Ulrich et al.	.....	D14/435
D565,568	S	*	4/2008	Trifilio et al.	.....	D14/356
D565,571	S	*	4/2008	Trifilio et al.	.....	D14/434
D575,775	S	*	8/2008	Sekine	.....	D14/242
D578,119	S	*	10/2008	Camarena et al.	.....	D14/368
D578,121	S	*	10/2008	Goto	.....	D14/385
D579,931	S	*	11/2008	Chang	.....	D14/242
D580,933	S	*	11/2008	Ju et al.	.....	D14/358
7,449,861	B2	*	11/2008	Horigome	.....	320/106
D585,859	S	*	2/2009	Tejima	.....	D14/348
D592,661	S	*	5/2009	Woo et al.	.....	D14/358
D594,864	S	*	6/2009	Song	.....	D14/358
D598,450	S	*	8/2009	Onoda et al.	.....	D14/363
D609,704	S	*	2/2010	Sin et al.	.....	D14/363
D612,329	S	*	3/2010	Guccione et al.	.....	D13/108
D616,425	S	*	5/2010	Hsia	.....	D14/240
7,869,191	B2	*	1/2011	Yang et al.	.....	361/601
D640,699	S		6/2011	McParland		
D641,362	S		7/2011	Dublin		
D641,364	S		7/2011	McParland		
D641,368	S		7/2011	McParland		
D647,087	S	*	10/2011	Chen et al.	.....	D14/348
D647,908	S	*	11/2011	Chen et al.	.....	D14/434
D677,218	S	*	3/2013	Baker et al.	.....	D13/107
D677,623	S	*	3/2013	Fitch et al.	.....	D13/108
D679,711	S	*	4/2013	Perry et al.	.....	D14/434
D680,116	S	*	4/2013	McParland et al.	.....	D14/434
D684,957	S	*	6/2013	Smith et al.	.....	D14/242
D685,320	S	*	7/2013	Murchison et al.	.....	D13/107
D685,374	S	*	7/2013	Schindler	.....	D14/435
D687,023	S	*	7/2013	Jung et al.	.....	D14/242
D687,768	S	*	8/2013	Minamikawa	.....	D13/107
2003/0071544	A1	*	4/2003	Chang	.....	312/107
2003/0122457	A1	*	7/2003	Diaz et al.	.....	312/223.2
2005/0041387	A1	*	2/2005	Lee	.....	361/685
2006/0056103	A1	*	3/2006	Hamming	.....	360/97.01

\* cited by examiner

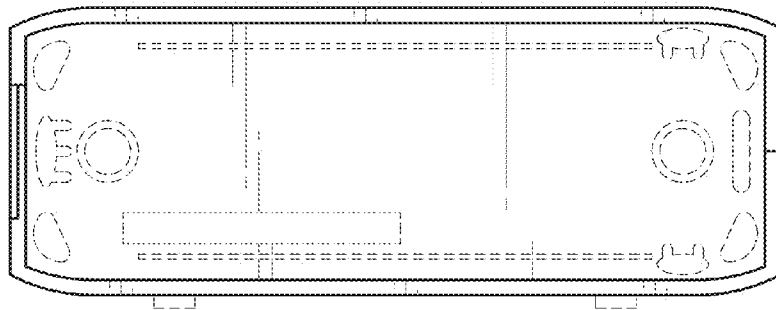


*Fig. 1*

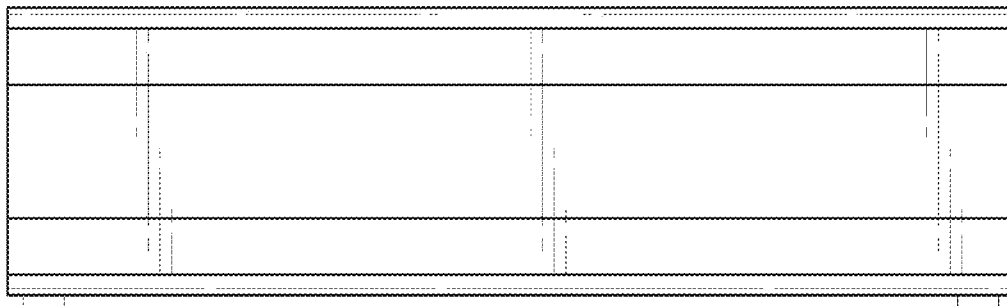
*Fig. 2*



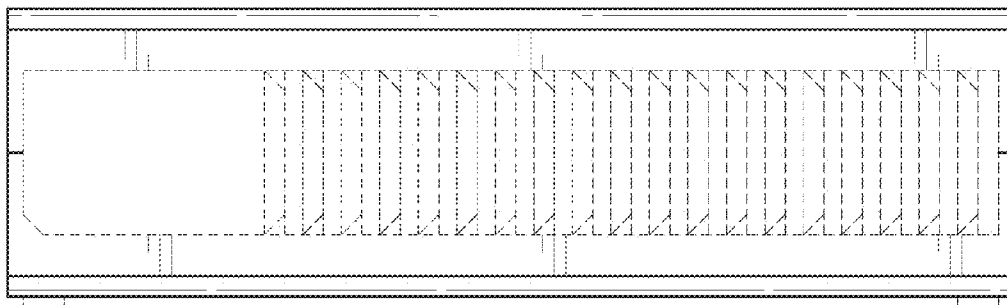
*Fig. 3*



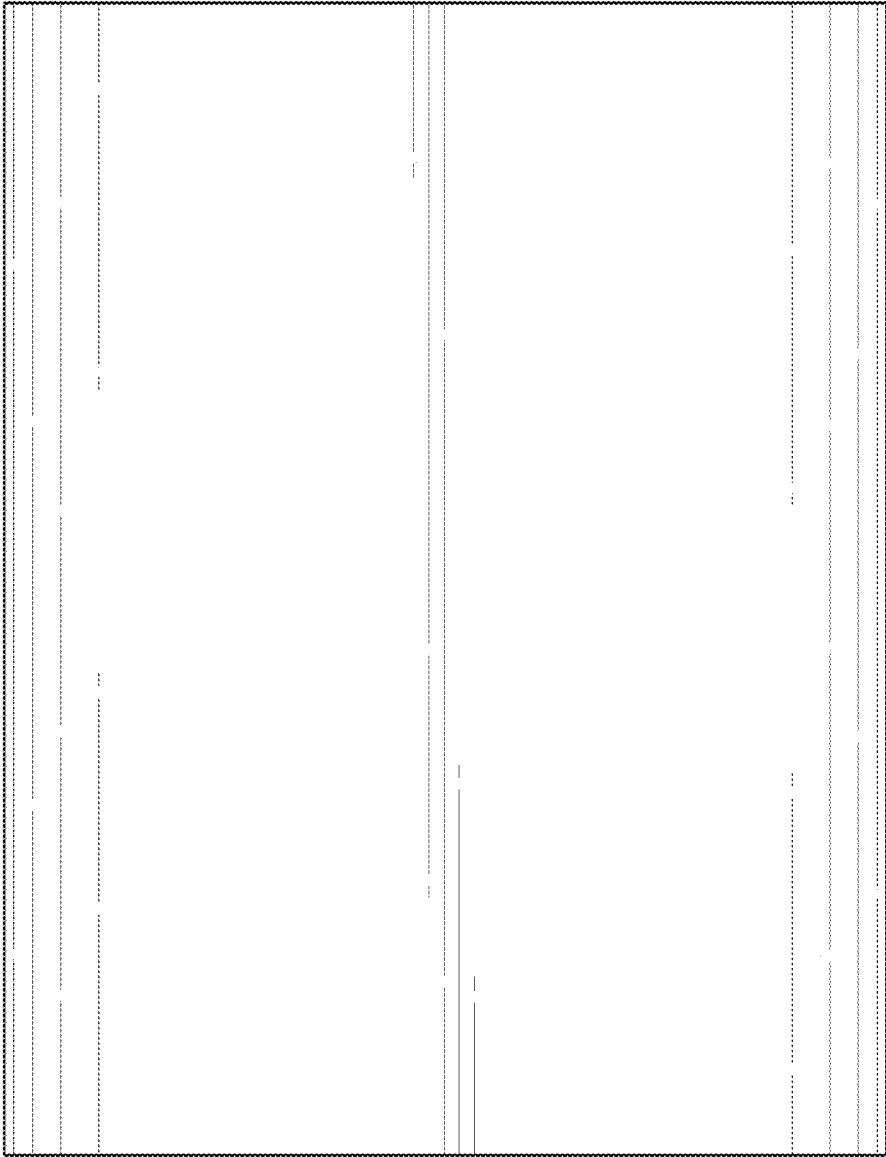
*Fig. 4*



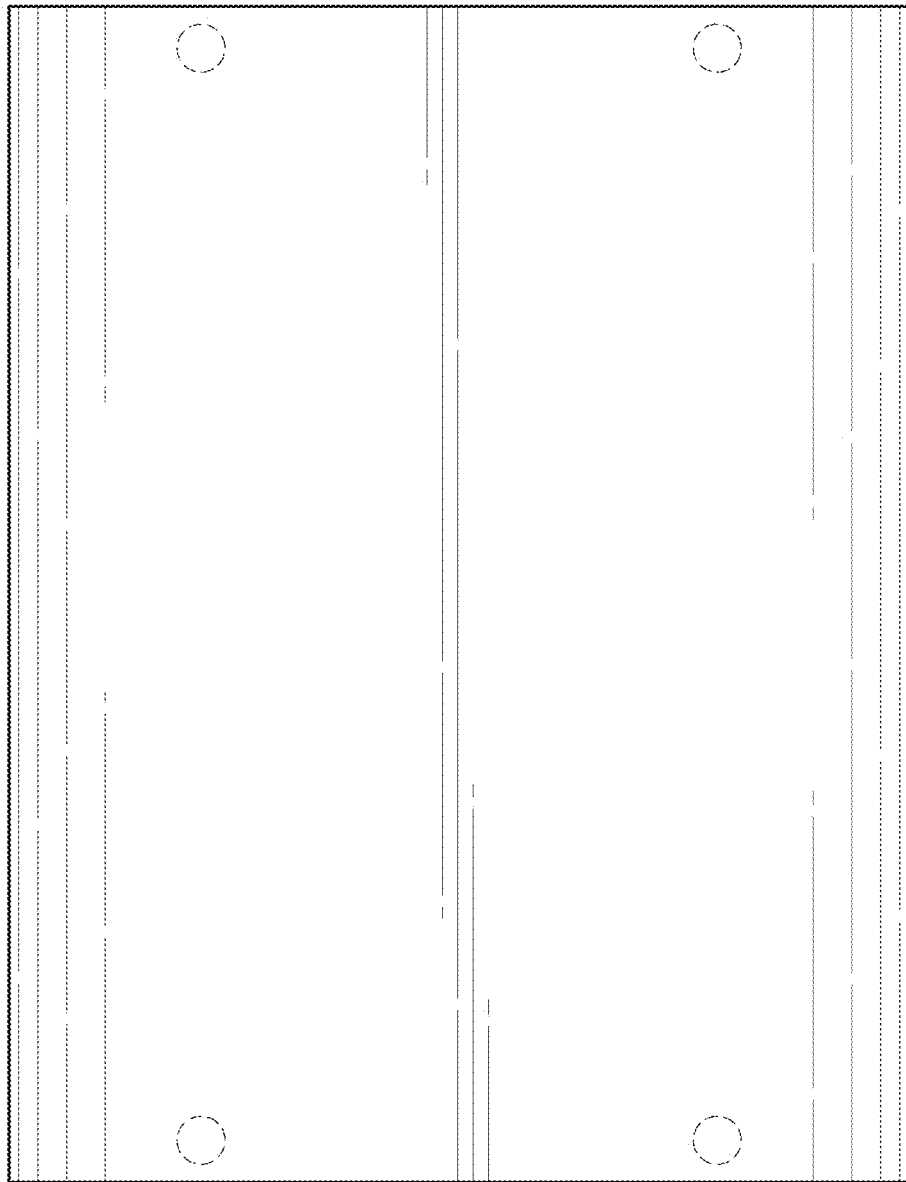
*Fig. 5*

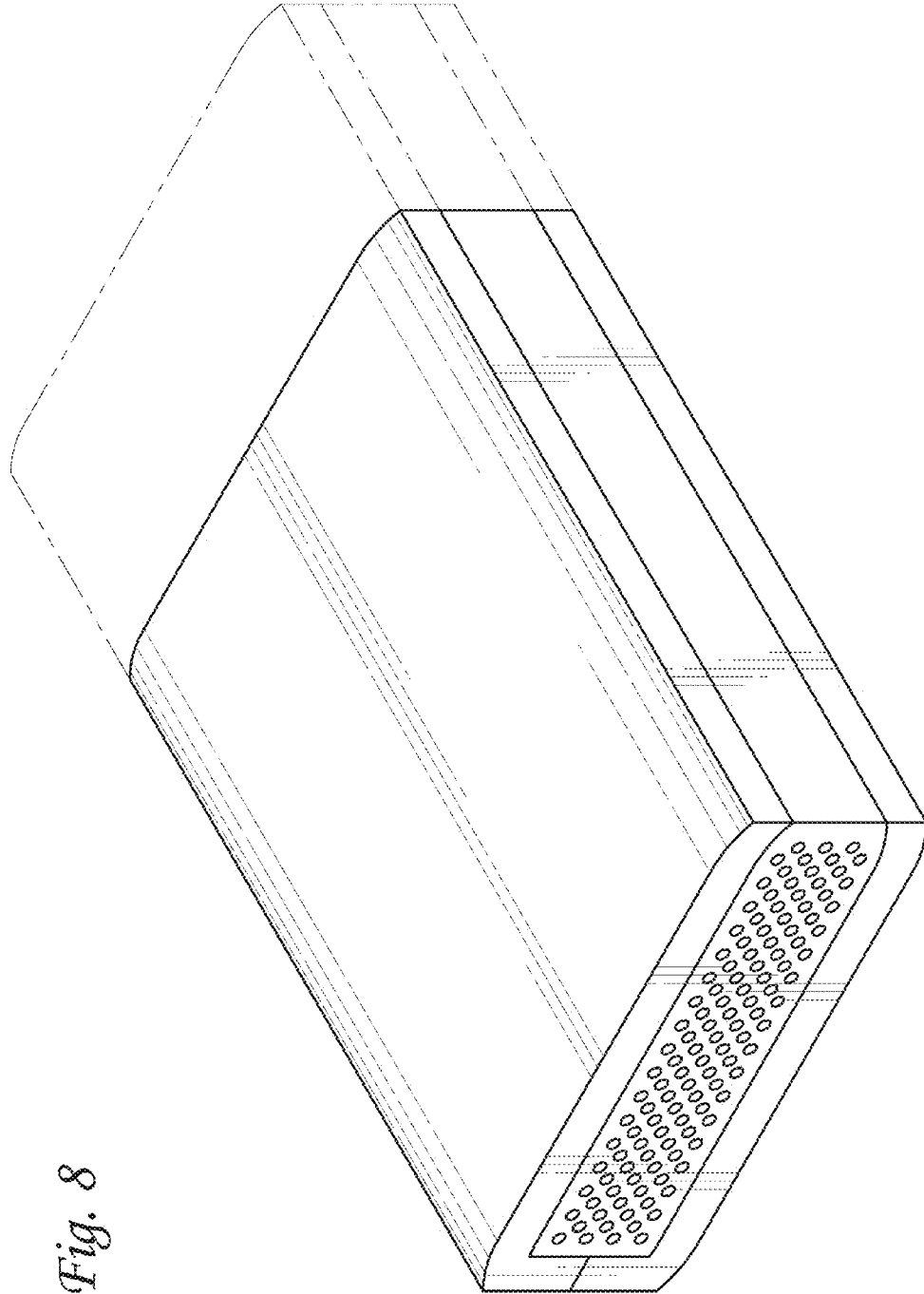


*Fig. 6*



*Fig. 7*





*Fig. 8*