



US00D944729S

(12) **United States Design Patent**
Qi

(10) **Patent No.:** **US D944,729 S**

(45) **Date of Patent:** **** Mar. 1, 2022**

(54) **WIRELESS CHARGER**

(71) Applicant: **Shenzhen Ruijing Industrial Co., Ltd,**
Shenzhen (CN)

(72) Inventor: **RuiBin Qi,** Shenzhen (CN)

(**) Term: **15 Years**

(21) Appl. No.: **29/746,290**

(22) Filed: **Aug. 13, 2020**

(30) **Foreign Application Priority Data**

Aug. 7, 2020 (CN) 202030446206.3

(51) **LOC (13) Cl.** **13-02**

(52) **U.S. Cl.**

USPC **D13/108;** D14/447

(58) **Field of Classification Search**

USPC D13/103, 107, 108, 118, 119; D14/140,
D14/142, 149, 240, 251, 252, 253, 432,
D14/433, 434, 439, 447

CPC H04M 1/06; H02J 7/342; H02J 7/0044;
H02J 7/0045

See application file for complete search history.

(56) **References Cited**

U.S. PATENT DOCUMENTS

D638,019	S	*	5/2011	Weisshaupt	D14/434
D639,810	S	*	6/2011	Hwang	D14/434
D690,647	S	*	10/2013	Huang	D13/108
D693,826	S	*	11/2013	Ashida	D14/447
D754,118	S	*	4/2016	Leung	D14/253
9,677,704	B1	*	6/2017	Thelen	F16M 11/22
D830,363	S	*	10/2018	Helms	D14/432
D898,590	S	*	10/2020	Long	D10/2
D900,736	S	*	11/2020	Oyler	D13/108
D924,131	S	*	7/2021	Kuo	D13/108
2020/0089085	A1	*	3/2020	Solomon	G03B 17/565
2020/0374380	A1	*	11/2020	Wang	H04M 1/04
2021/0059403	A1	*	3/2021	Zavala	A47B 23/06

OTHER PUBLICATIONS

“Angreat Wireless Charging Dock”. Found online Sep. 8, 2021 at amazon.com. Reference dated Jun. 11, 2020. Retrieved from https://www.amazon.com/Made-Amazon-Wireless-Charging-compatible/dp/B085RVS6FV. (Year: 2020).*

“Amazon Wireless Charging Dock”. Found online Sep. 8, 2021 at pocket-lint.com. Reference dated Jun. 16, 2020. Retrieved from https://www.pocket-lint.com/tablets/news/amazon/152558-amazon-wireless-charging-dock-angreat-fire-hd-8-review. (Year: 2020).*

“Dock for Amazon Fire HD 8 & HD 10 Tablets”. Found online Oct. 20, 2021 at aftvnews.com. Reference dated Jul. 13, 2018. Retrieved from https://www.aftvnews.com/review-of-the-show-mode-dock-for-amazon-fire-hd-8-hd-10-tablets/. (Year: 2018).*

* cited by examiner

Primary Examiner — Kendra Leslie Hamilton

Assistant Examiner — Amanda Christensen

(57) **CLAIM**

The ornamental design for a wireless charger, as shown and described.

DESCRIPTION

FIG. 1 is a top, front, right side perspective view of a wireless charger, showing my new design;

FIG. 2 is a top, back, left side perspective view thereof;

FIG. 3 is a bottom, front, left side perspective view thereof;

FIG. 4 is a bottom, back, right side perspective view thereof;

FIG. 5 is a front view thereof;

FIG. 6 is a back view thereof;

FIG. 7 is a left side view thereof;

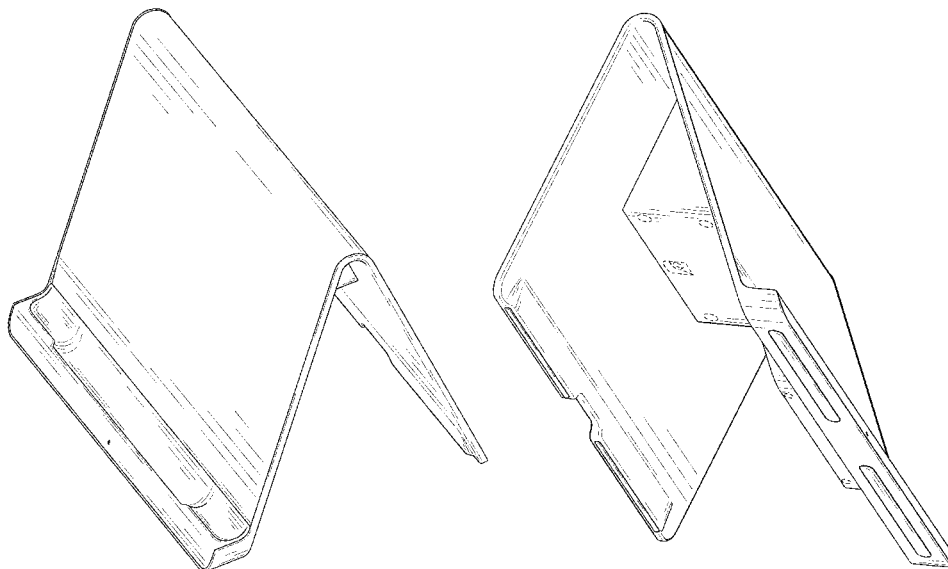
FIG. 8 is a right side view thereof;

FIG. 9 is a top view thereof; and,

FIG. 10 is a bottom view thereof.

The broken lines in the drawings depict portions of the wireless charger that form no part of the claimed design.

1 Claim, 7 Drawing Sheets



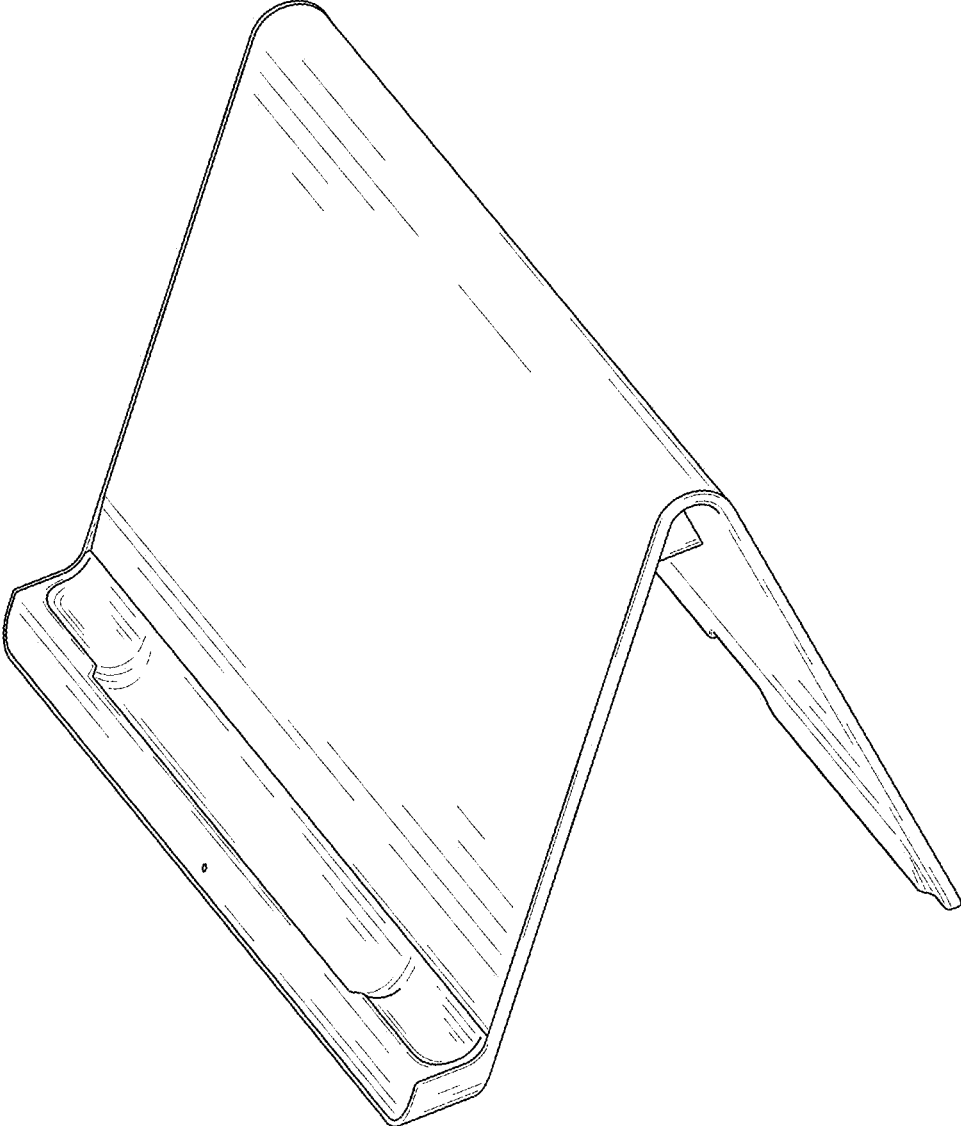


FIG. 1

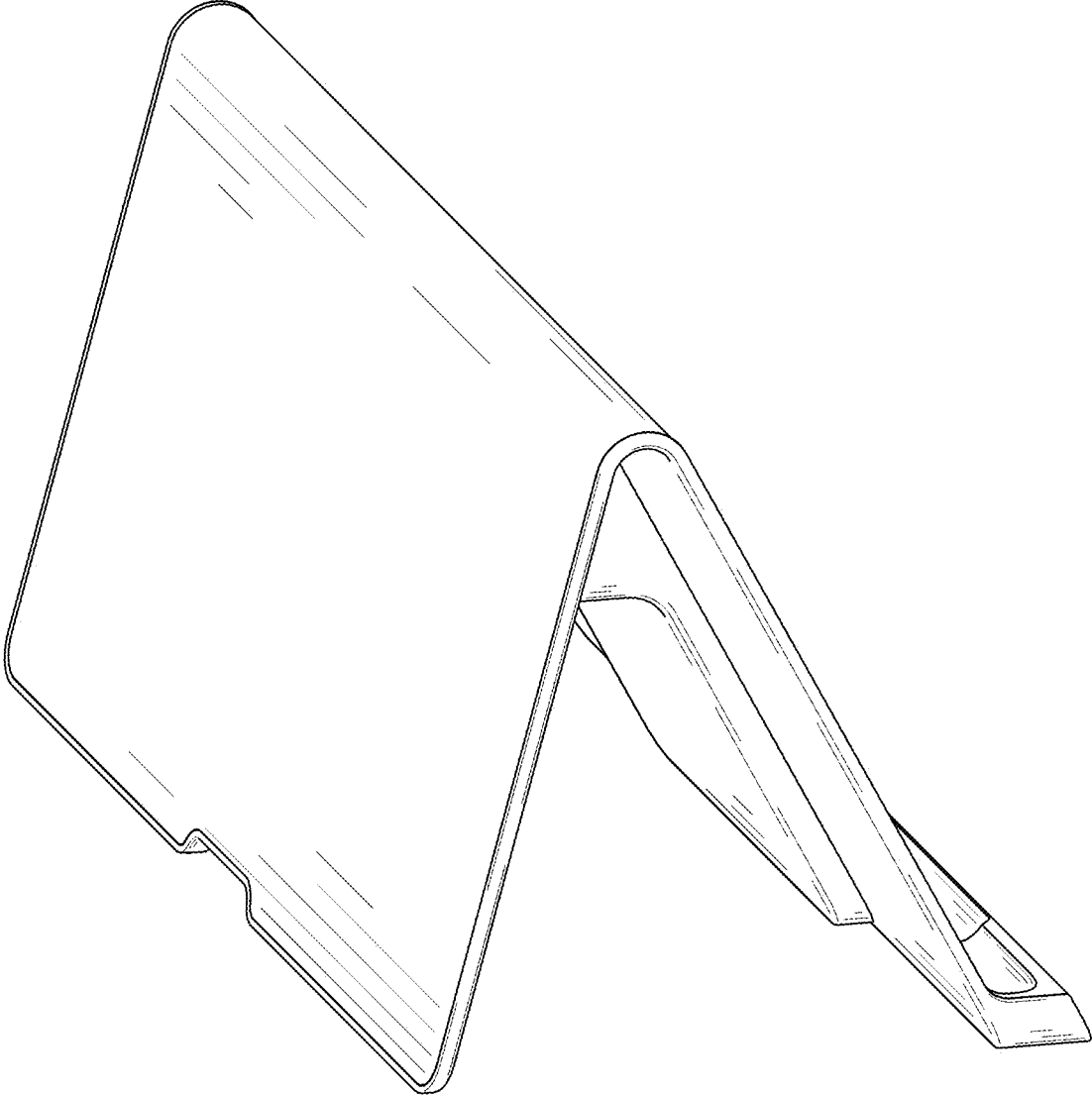


FIG. 2

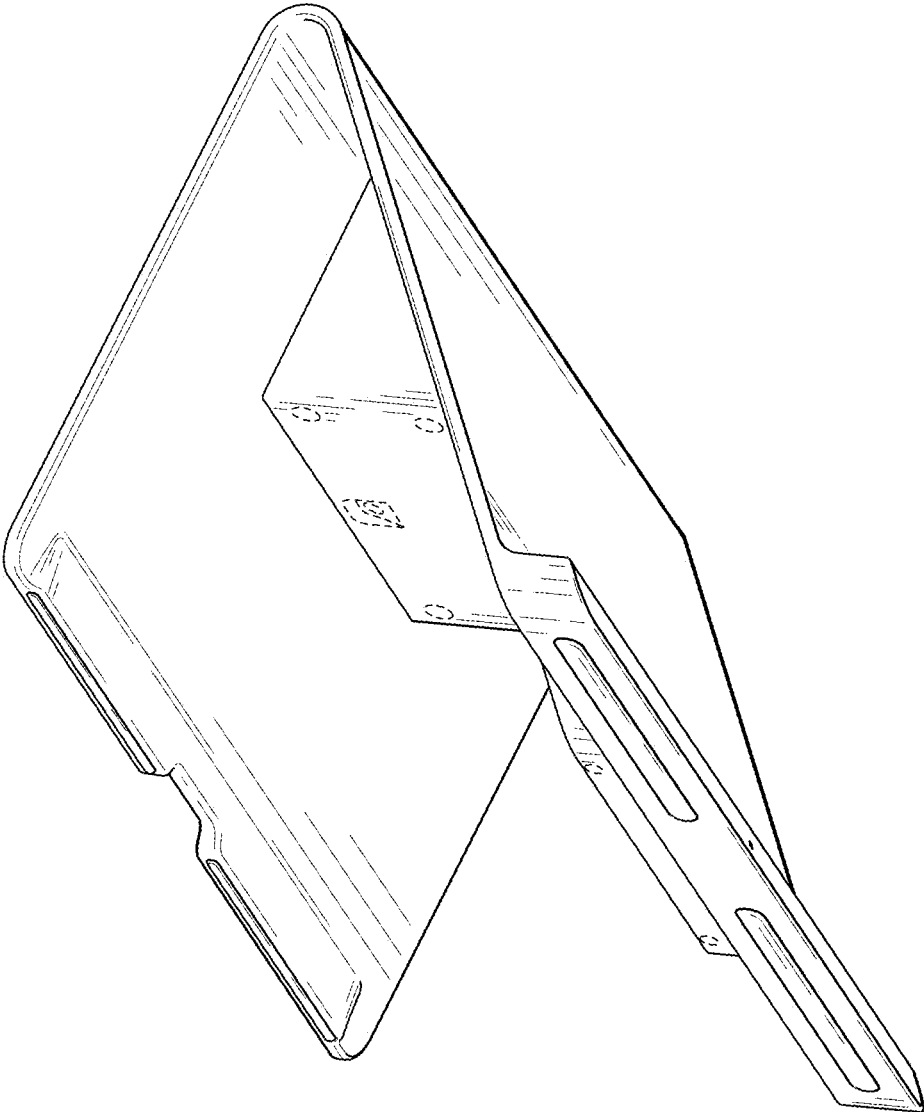


FIG. 3

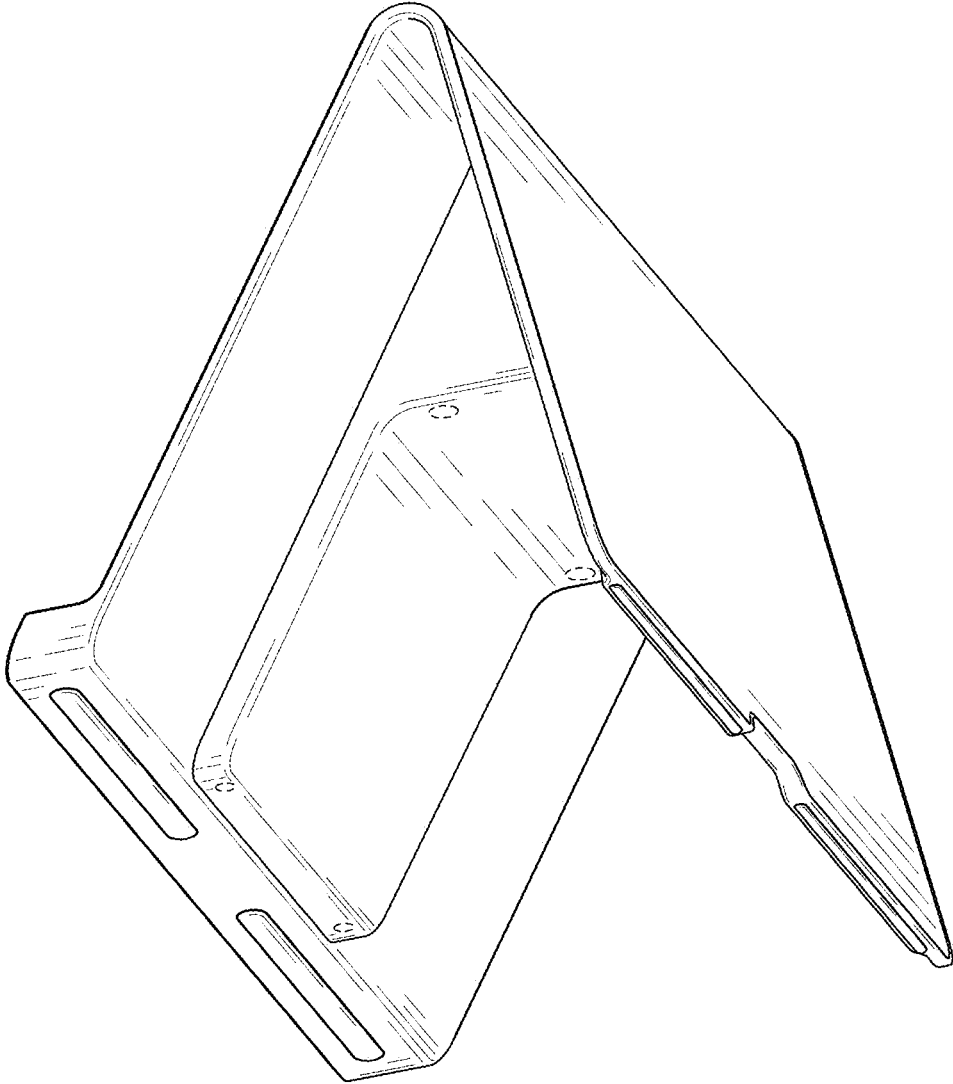


FIG. 4

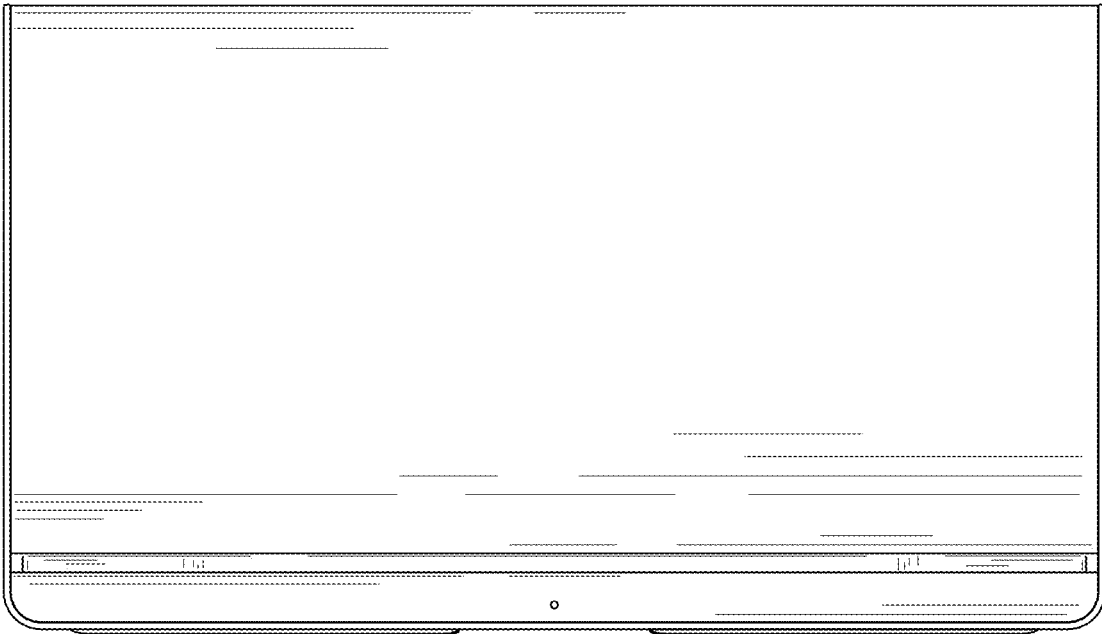


FIG. 5

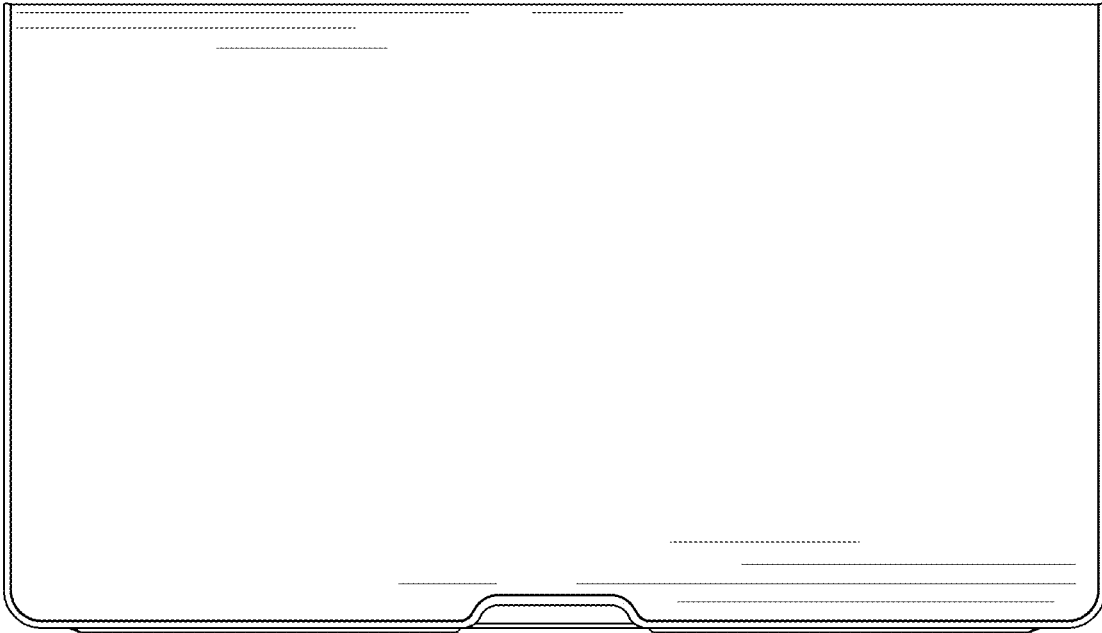


FIG. 6

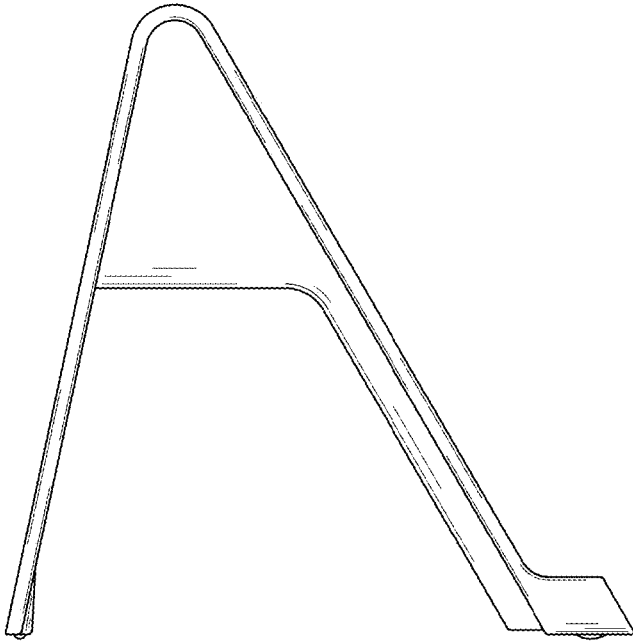


FIG. 7

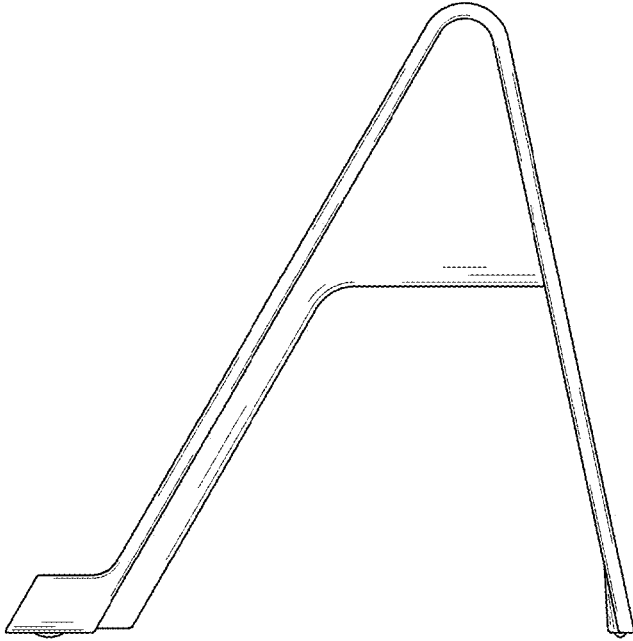


FIG. 8

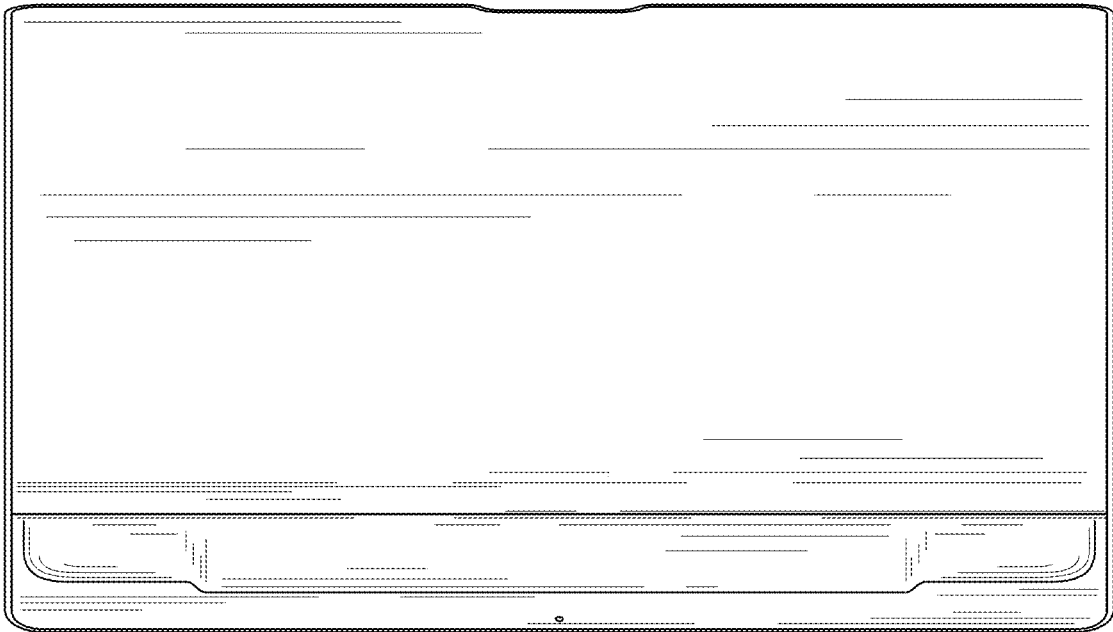


FIG. 9

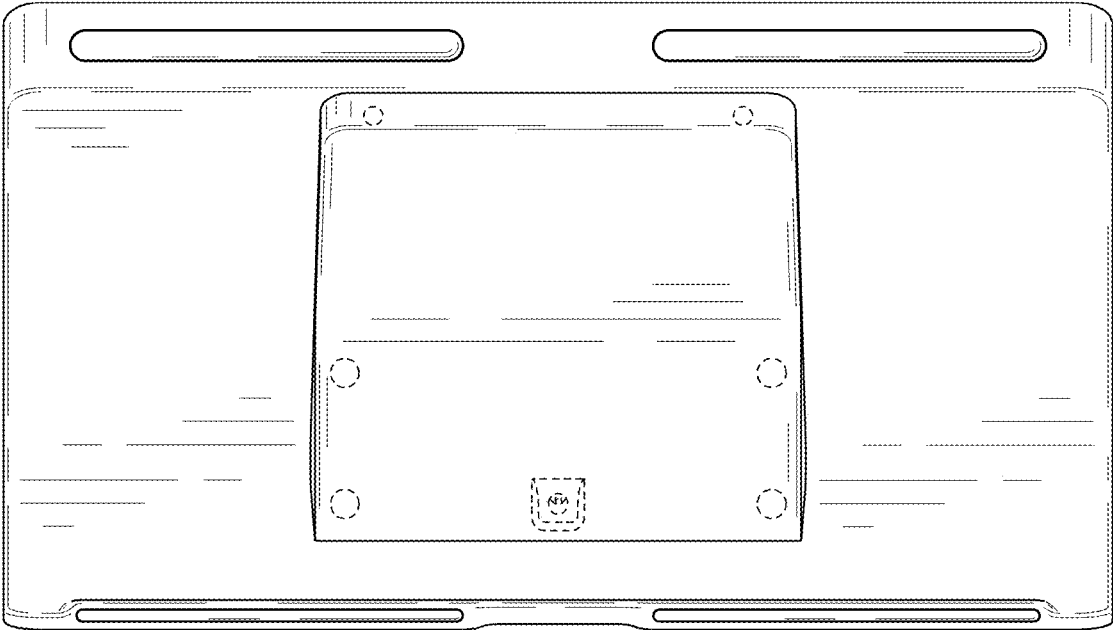


FIG. 10