



US00D770556S

(12) **United States Design Patent**  
**Sharma et al.**

(10) **Patent No.:** **US D770,556 S**

(45) **Date of Patent:** **\*\* Nov. 1, 2016**

(54) **CAMERA ADAPTER**

(71) Applicant: **Tangible Play, Inc.**, San Jose, CA (US)

(72) Inventors: **Pramod Kumar Sharma**, San Jose, CA (US); **Jerome Scholler**, San Francisco, CA (US)

(73) Assignee: **Tangible Play, Inc.**, San Jose, CA (US)

(\*\*) Term: **14 Years**

(21) Appl. No.: **29/520,181**

(22) Filed: **Mar. 12, 2015**

**Related U.S. Application Data**

(63) Continuation-in-part of application No. 13/928,111, filed on Jun. 26, 2013, now Pat. No. 9,158,389.

(51) **LOC (10) Cl.** ..... **16-05**

(52) **U.S. Cl.**  
USPC ..... **D16/237**

(58) **Field of Classification Search**

USPC ..... D16/134, 136, 208, 213–219, 235, D16/237–245, 250; D14/203.4, 218, 224, D14/250–253, 345, 440, 449; D8/349, 363, D8/373, 382, 394  
CPC ..... G03B 17/02–17/04; G03B 17/14; G03B 17/56; G03B 17/561–17/568; G03B 21/20–21/2066; G03B 15/041–15/0436; G02B 7/02–7/04; G02B 7/14; H04N 5/2251–5/2554; F16M 11/02; F16M 11/20; F16M 11/40

See application file for complete search history.

(56) **References Cited**

**U.S. PATENT DOCUMENTS**

D310,185 S \* 8/1990 Tick ..... D11/182  
D351,890 S \* 10/1994 Rasmusson ..... D22/147  
D365,588 S \* 12/1995 Fernandez ..... D16/242  
D409,895 S \* 5/1999 Schron, Jr. .... D8/349

D476,555 S \* 7/2003 Niwa ..... D6/328  
D535,869 S \* 1/2007 Brunsteter ..... D8/382  
D545,183 S \* 6/2007 French ..... D8/394  
D563,452 S \* 3/2008 Tan ..... D16/237  
7,777,899 B1 8/2010 Hildreth  
D658,977 S \* 5/2012 Riddell ..... D8/394  
8,274,535 B2 9/2012 Hildreth et al.  
D682,463 S \* 5/2013 Bernard ..... D26/140  
8,624,932 B2 1/2014 Hildreth et al.  
D716,362 S \* 10/2014 Generotti ..... D16/237  
D726,804 S \* 4/2015 Voss ..... D16/237  
9,158,389 B1 10/2015 Sharma et al.  
9,354,716 B1 5/2016 Sharma et al.  
2011/0298724 A1 12/2011 Ameling et al.

\* cited by examiner

*Primary Examiner* — Vy Koenig

(74) *Attorney, Agent, or Firm* — Patent Law Works LLP

(57) **CLAIM**

The ornamental design for a camera adapter, as shown and described.

**DESCRIPTION**

FIG. 1 is a top perspective view of a camera adapter showing the new design.

FIG. 2 is a bottom perspective view of the camera adapter showing the new design.

FIG. 3 is a front or rear (the front and rear appearing identical) view of the camera adapter showing the new design.

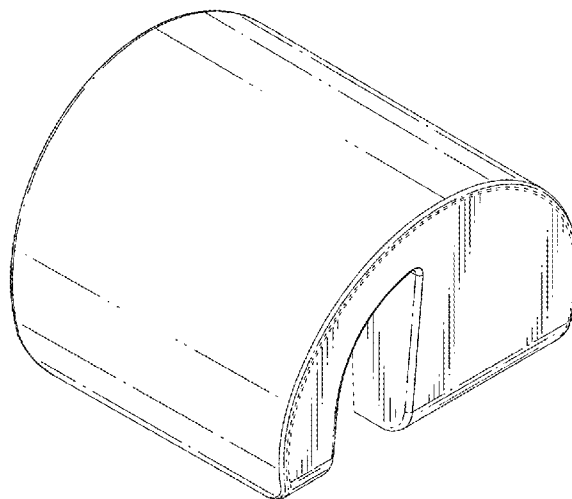
FIG. 4 is a left side view of the camera adapter showing the new design (a right side view being a mirror image of the left side view).

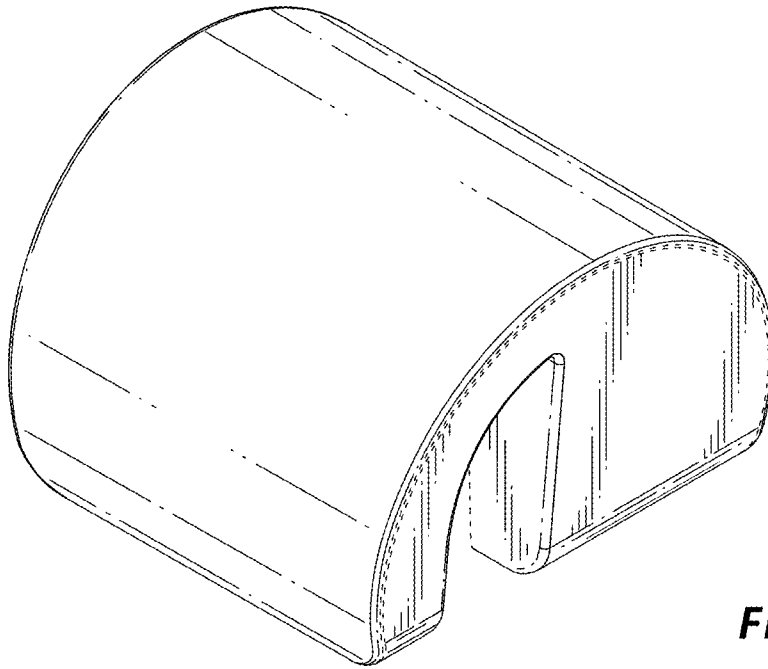
FIG. 5 is a top view of the camera adapter showing the new design; and,

FIG. 6 is a bottom view of the camera adapter showing the new design.

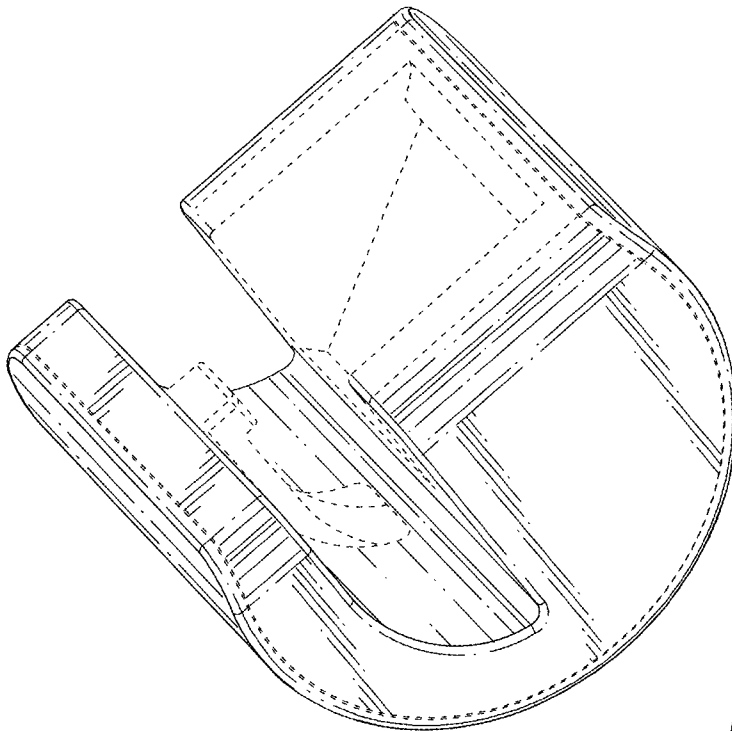
Within the drawings, the dashed lines and areas within the dashed lines depict portions of the camera adapter that form no part of the claimed design.

**1 Claim, 3 Drawing Sheets**

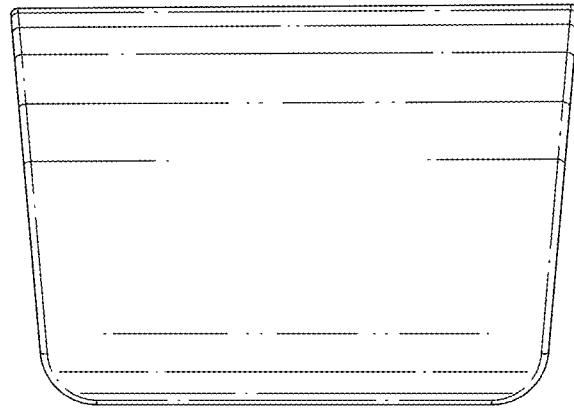




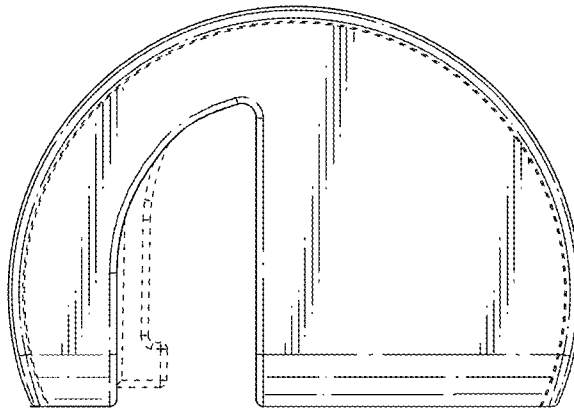
**FIG. 1**



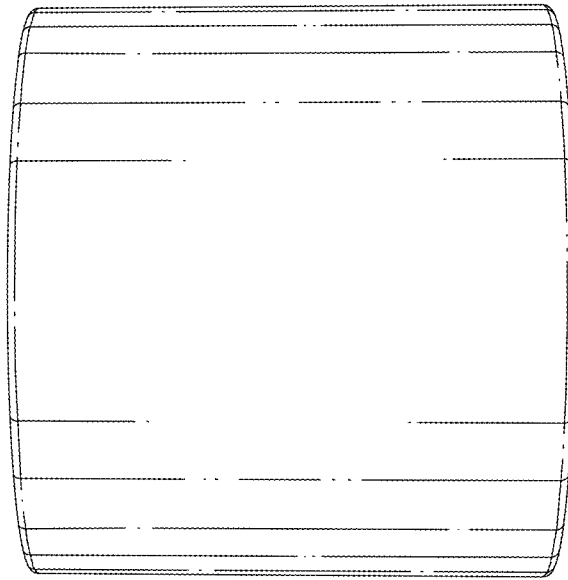
**FIG. 2**



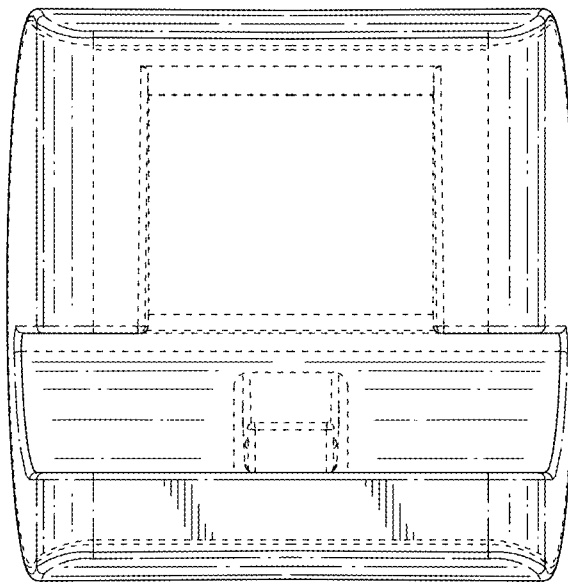
**FIG. 3**



**FIG. 4**



**FIG. 5**



**FIG. 6**