



US00D980885S

(12) **United States Design Patent**
Kachline et al.

(10) **Patent No.:** **US D980,885 S**
(45) **Date of Patent:** **** Mar. 14, 2023**

- (54) **WELDING TORCH HANDLE**
- (71) Applicant: **Lincoln Global, Inc.**, Santa Fe Springs, CA (US)
- (72) Inventors: **Jeffrey L. Kachline**, Kirtland, OH (US); **Daniel Herrera Vazquez**, Durango (MX)
- (73) Assignee: **Lincoln Global, Inc.**, Santa Fe Springs, CA (US)
- (**) Term: **15 Years**
- (21) Appl. No.: **29/771,432**
- (22) Filed: **Feb. 23, 2021**
- (51) **LOC (14) Cl.** **15-09**
- (52) **U.S. Cl.**
USPC **D15/144; D8/30**
- (58) **Field of Classification Search**
USPC D8/29.1, 29.2, 30, 61, 107; D15/144, D15/144.1, 144.2; D23/226
CPC B23K 9/00; B23K 9/0953; B23K 9/124; B23K 9/325; B23K 9/287; B23K 9/32; B23K 9/295
See application file for complete search history.

D875,799	S	*	2/2020	Crowe	D8/30
D876,914	S	*	3/2020	Mitterhumer	D8/30
D881,664	S		4/2020	Vazquez et al.		
D882,361	S		4/2020	Calandreli Cruz et al.		
D883,055	S		5/2020	Vazquez et al.		
D888,529	S	*	6/2020	Hartel	D8/30
D893,967	S		8/2020	Vazquez et al.		
D904,146	S	*	12/2020	Grossauer	D8/30
D945,230	S	*	3/2022	Hartel	D8/30
2016/0129516	A1	*	5/2016	Hoeger	B23K 9/0953 219/121.11

FOREIGN PATENT DOCUMENTS

WO WO-2016048980 A2 * 3/2016 B23K 9/173
* cited by examiner

Primary Examiner — Patricia A Palasik
(74) *Attorney, Agent, or Firm* — Brad C. Spencer

(57) **CLAIM**

The ornamental design for a welding torch handle, as shown and described.

DESCRIPTION

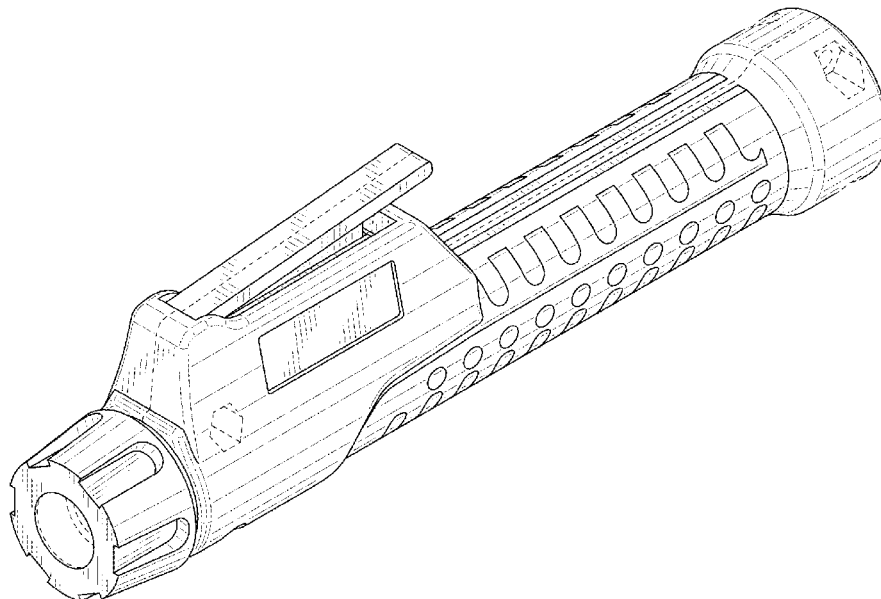
FIG. 1 is a front perspective view of the design for a welding torch handle;
FIG. 2 is a right side view thereof;
FIG. 3 is a front view thereof;
FIG. 4 is a rear view thereof;
FIG. 5 is a left side view thereof;
FIG. 6 is a top plan view thereof;
FIG. 7 is a bottom plan view thereof; and
FIG. 8 is a rear perspective view thereof.
In these drawings, the solid lines illustrate the claimed ornamental design, whereas the broken lines illustrate portions of the welding torch handle that form no part of the claimed design.

1 Claim, 7 Drawing Sheets

(56) **References Cited**

U.S. PATENT DOCUMENTS

D326,594	S	*	6/1992	Haberman	D8/30
D403,216	S	*	12/1998	Romine	D8/30
D486,368	S	*	2/2004	Jones	D8/30
D488,968	S	*	4/2004	Kinerson	D8/30
D532,432	S	*	11/2006	Owens	D8/107
D537,092	S	*	2/2007	Owens	D8/107
D735,002	S	*	7/2015	Bondy	D8/30
D752,403	S		3/2016	Kindig		
D771,727	S	*	11/2016	Imi	D15/144
D849,808	S	*	5/2019	Assmann	D8/107



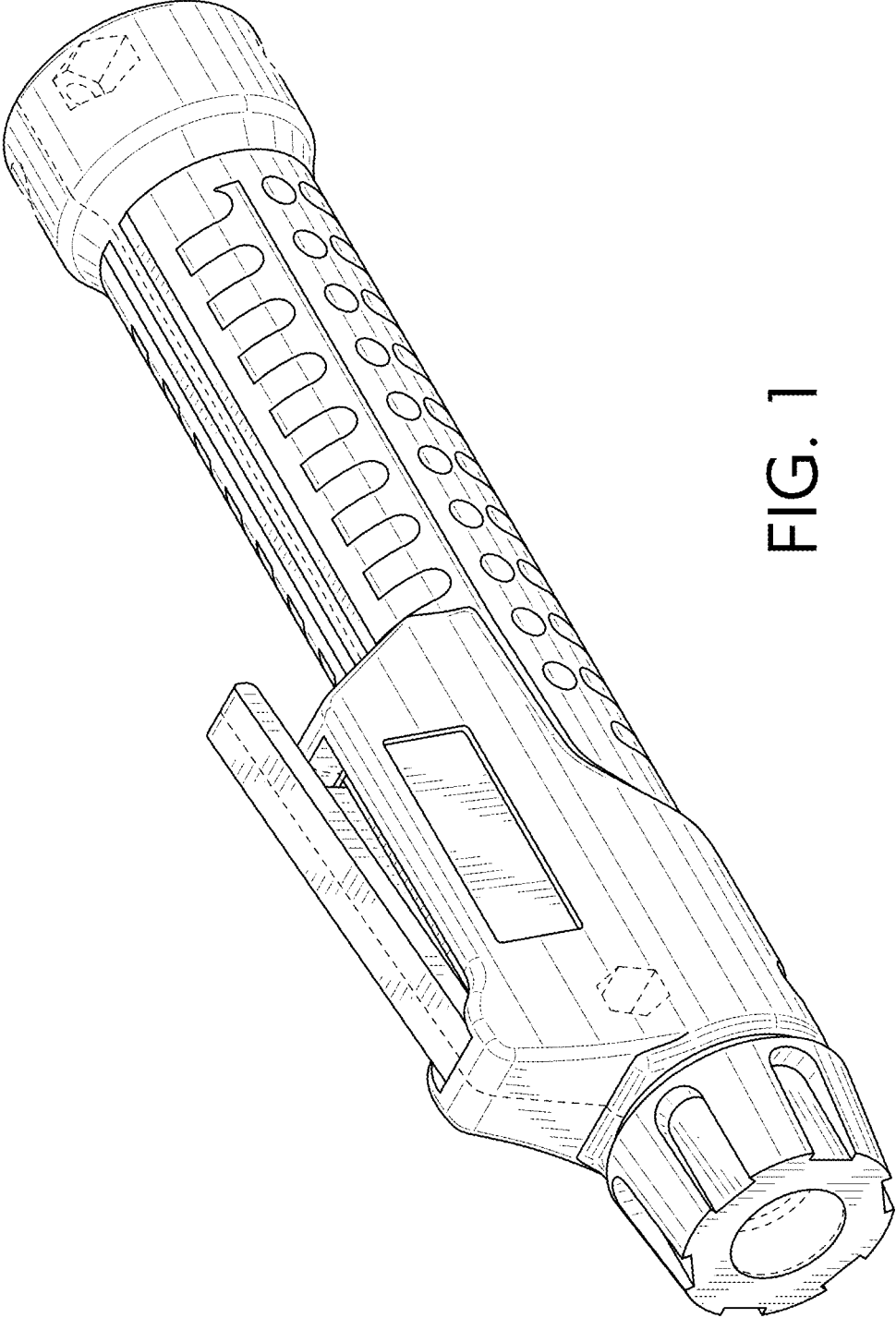


FIG. 1

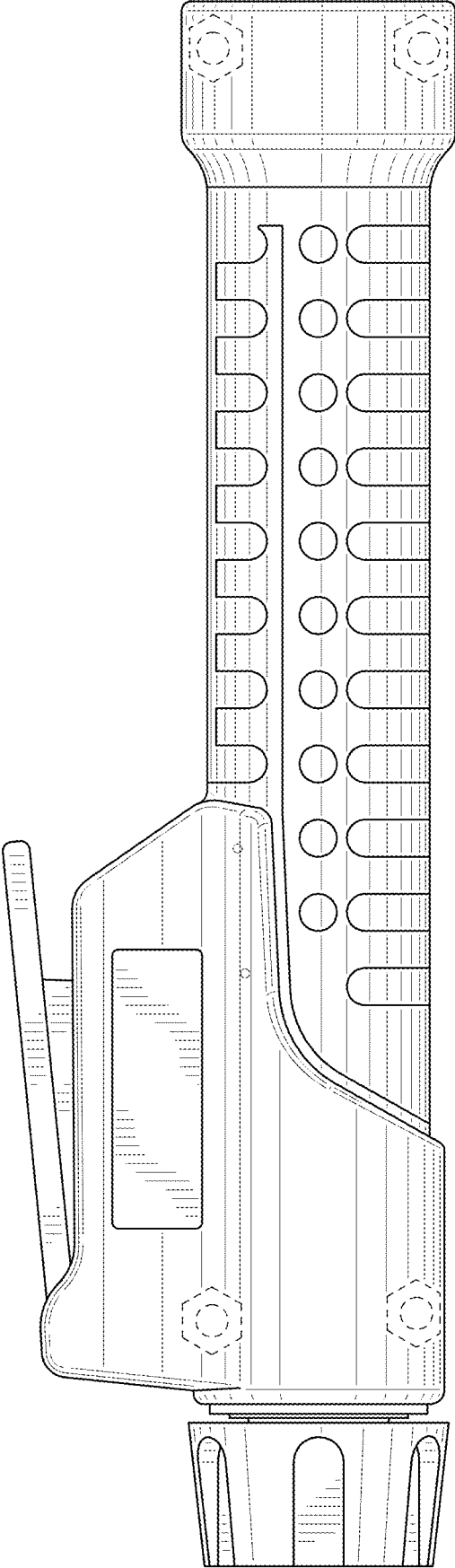


FIG. 2

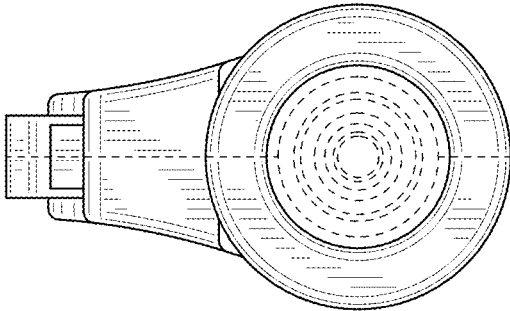


FIG. 4

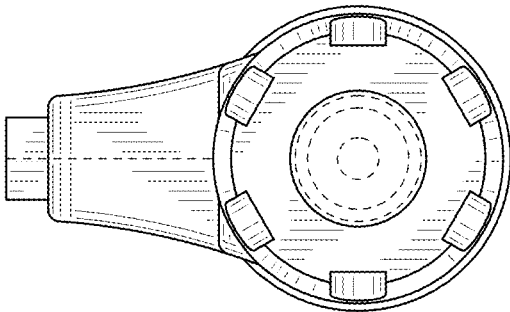


FIG. 3

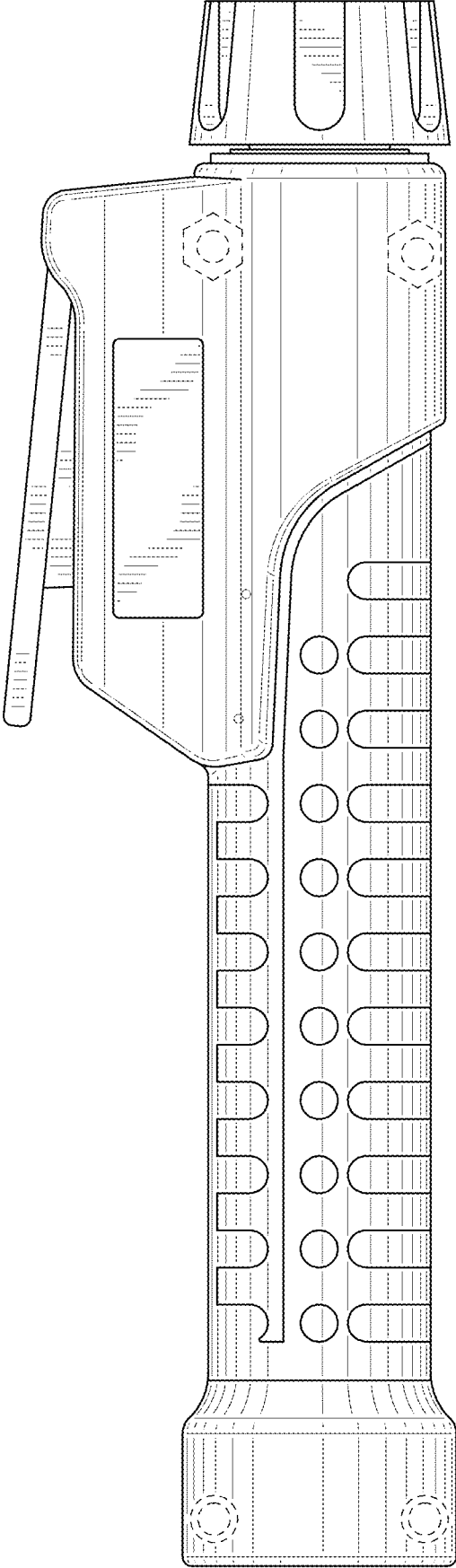


FIG. 5

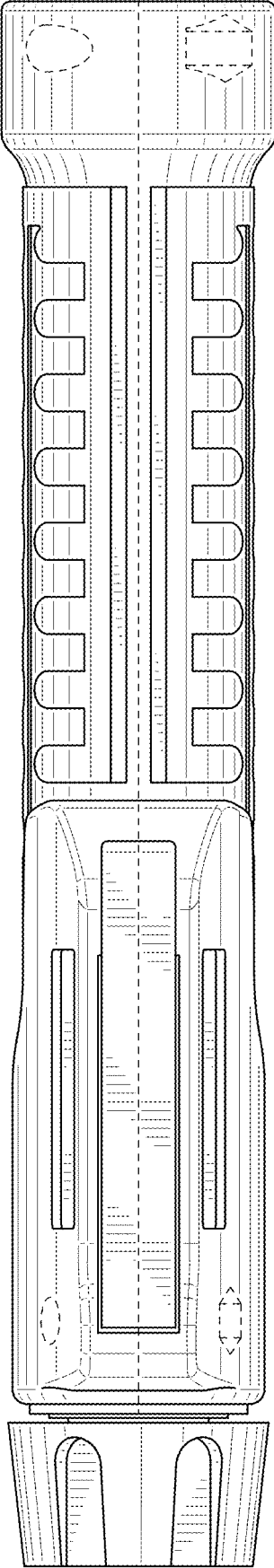


FIG. 6

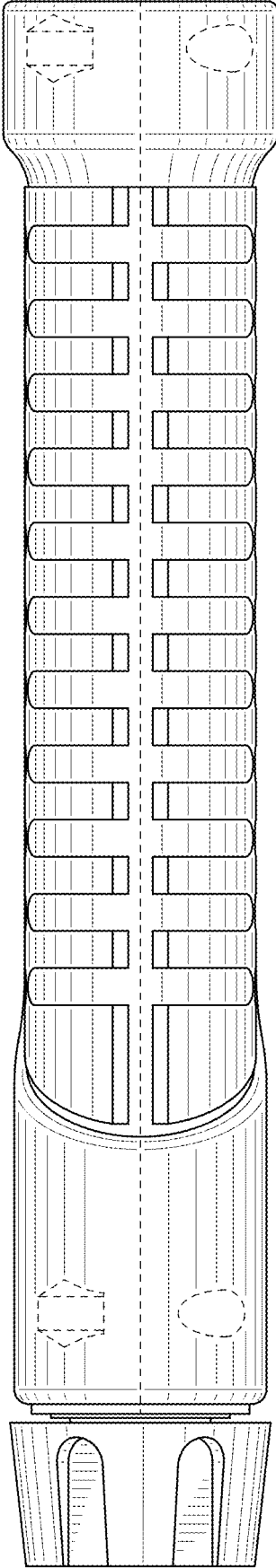


FIG. 7

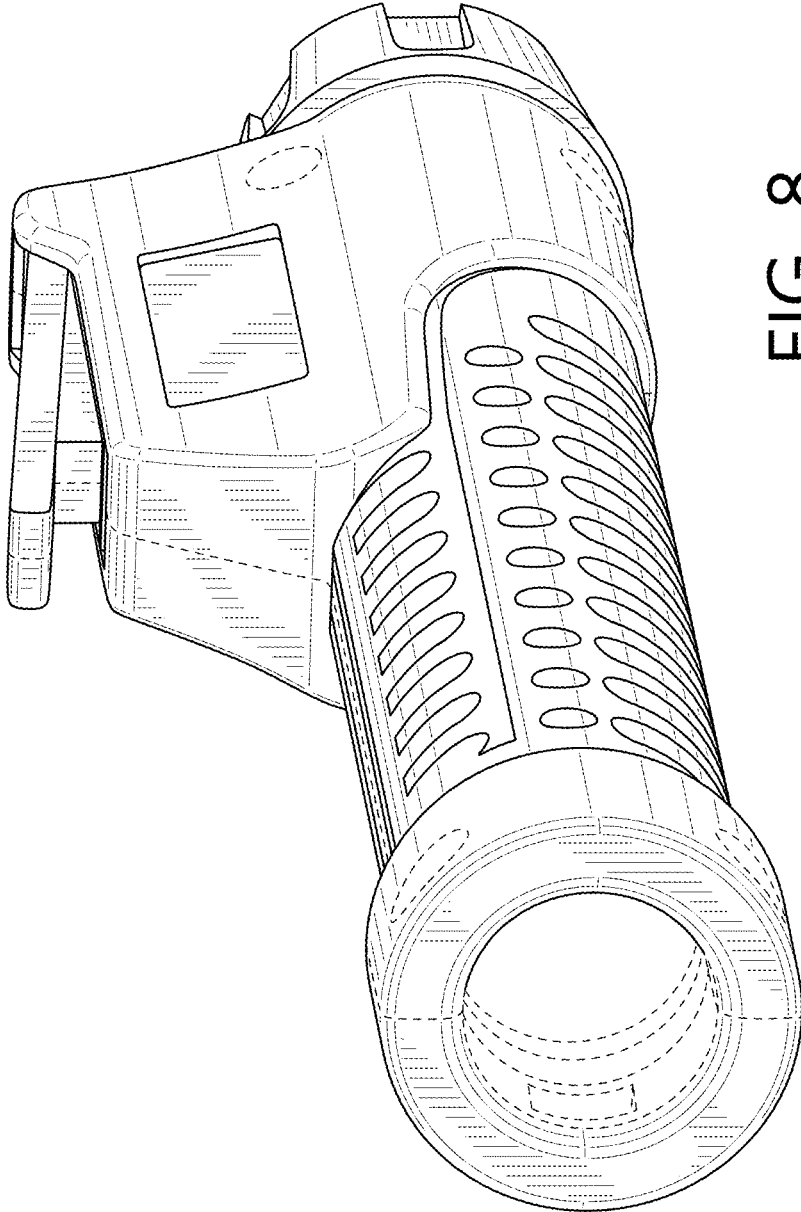


FIG. 8