



US00D531176S

(12) **United States Design Patent**
Ng et al.

(10) **Patent No.:** **US D531,176 S**

(45) **Date of Patent:** **** Oct. 31, 2006**

(54) **CONSOLE HOUSING**

(75) Inventors: **Phoebe Ng**, San Jose, CA (US); **Robert Stepanian**, 4134 Cranford Cir., San Francisco, CA (US) 95124; **Allison S. Conner**, San Francisco, CA (US)

(73) Assignee: **Robert Stepanian**, San Francisco, CA (US)

(**) Term: **14 Years**

(21) Appl. No.: **29/236,021**

(22) Filed: **Aug. 10, 2005**

(51) **LOC (8) Cl.** **14-02**

(52) **U.S. Cl.** **D14/300**

(58) **Field of Classification Search** D14/300,
D14/301, 313, 314, 356-368, 349, 435; D13/162,
D13/184, 199; 312/223.1-223.3; 360/99.01,
360/99.12; 369/34.01, 36.01, 77.2; 361/680-686,
361/690-696; 720/613

See application file for complete search history.

(56)

References Cited

U.S. PATENT DOCUMENTS

D223,096 S	*	3/1972	Gilson	D14/365
D271,202 S	*	11/1983	Endt	D14/368
D306,286 S	*	2/1990	Sawatani et al.	D14/368
5,105,414 A	*	4/1992	Funabashi et al.	720/613
D370,211 S	*	5/1996	Lee	D14/349
5,650,831 A		7/1997	Farwell		
D383,732 S	*	9/1997	Haley et al.	D14/435
D387,061 S		12/1997	Nozoe		
D395,891 S		7/1998	Gerba et al.		

D407,071 S		3/1999	Keating		
D425,899 S		5/2000	Dent		
6,707,448 B1		3/2004	Kunimatsu et al.		
D504,417 S		4/2005	Reza et al.		
D514,527 S		2/2006	DiPasquale		
2002/0002707 A1		1/2002	Ekel et al.		
2002/0092025 A1		7/2002	Klumpp		
2002/0158812 A1		10/2002	Pallakoff		
2002/0181380 A1	*	12/2002	Wada et al.	369/77.2
2003/0174084 A1		9/2003	Maeda		
2004/0224638 A1		11/2004	Fadell et al.		
2005/0012723 A1		1/2005	Pallakoff		
2006/0017857 A1		1/2006	Sata et al.		

* cited by examiner

Primary Examiner—Freda S. Nunn

(74) *Attorney, Agent, or Firm*—James F. Hann; Haynes Beffel & Wolfeld LLP

(57) **CLAIM**

The ornamental design for a console housing, as shown and described.

DESCRIPTION

The console housing is used to contain a multimedia and information device.

FIG. 1 is a front, right, top view of a console housing showing our new design;

FIG. 2 is a top plan view thereof;

FIG. 3 is a front elevational view thereof;

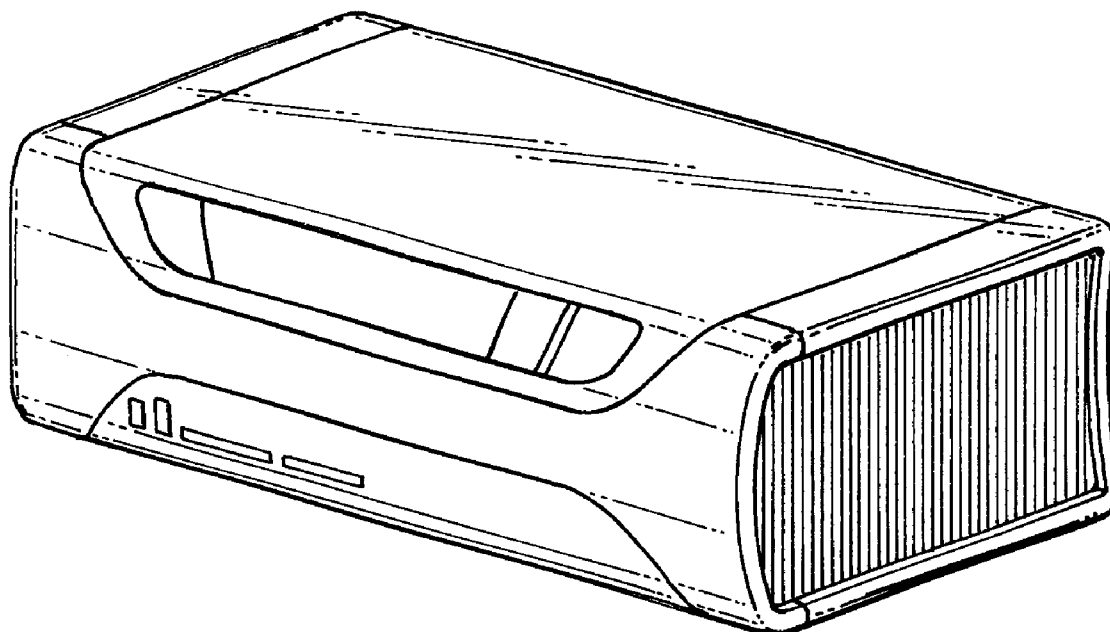
FIG. 4 is a right side elevational view thereof;

FIG. 5 is a left side elevational view thereof;

FIG. 6 is a rear elevational view thereof; and,

FIG. 7 is a bottom view plan thereof.

1 Claim, 2 Drawing Sheets



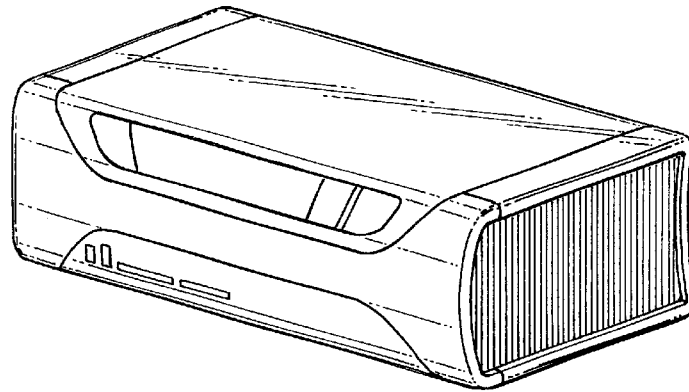


FIG. 1

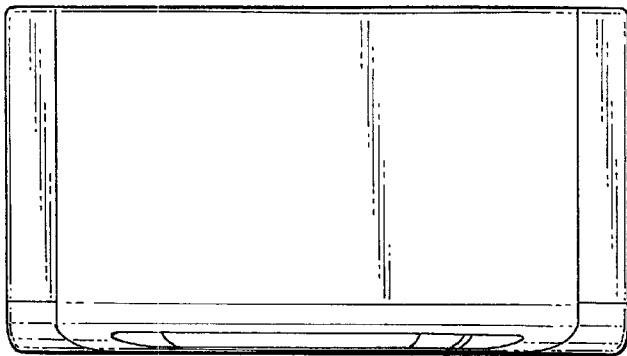


FIG. 2

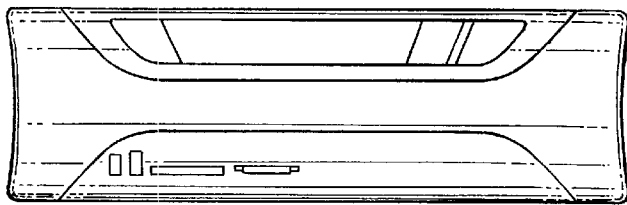


FIG. 3

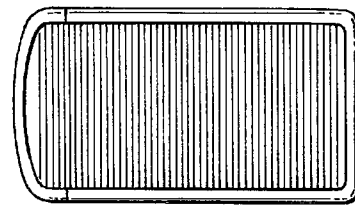


FIG. 4

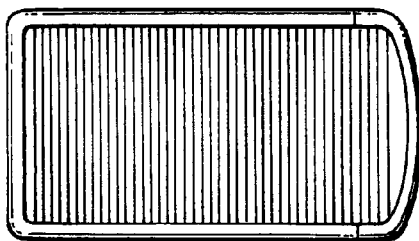


FIG. 5

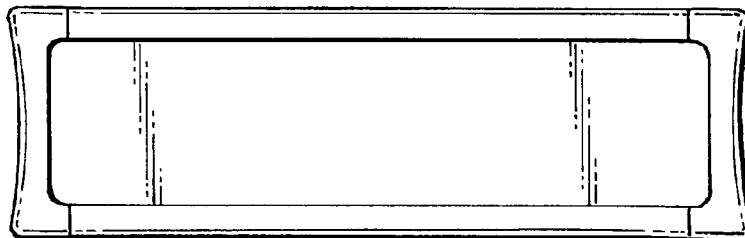


FIG. 6

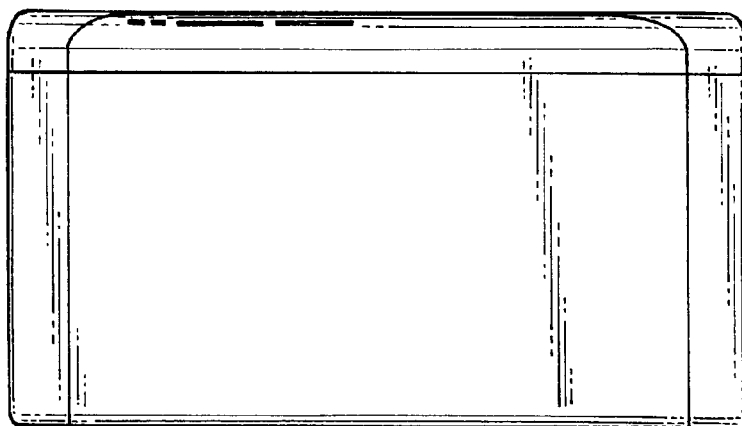


FIG. 7