

(19)  
(12)

(KR)  
(A)

(51) 。 Int. Cl. <sup>7</sup>  
H04L 12/24

(11)  
(43)

2003 - 0031734  
2003 04 23

(21) 10 - 2001 - 0063600  
(22) 2001 10 16

(71) 3 416

(72) 108 103

(74)  
:

(54)

m) (upgrade) (cable modem network) , (TFTP:Trivial File Transfer Protocol) (Bootro 가  
(VSIF:Vendor - Specific Information Field)

VSIF 가 , 가

3

, , VSIF(Vendor - Specific Information Field)

1

2

3

(cable modem network)  
(Bootrom) (upgrade)

PC

(Back - born Network),

(Headend System),

TFTP(Trivial File Transfer Protocol)

(configuration file)

TFTP

TFTP  
TFTP

가

TFTP

(bootrom)

(TFTP:Trivial File Transfer Protocol) 가  
ic Information Field)

(VSIF:Vendor - Specif

VSIF

가

가

1 . . . 1

(20), (30), (Cable Modem:CM) (40,42,44,46) ,  
 (50,52,54,56) , TETP (10)

(20) 가 (30)

(30) 가 가 CMTS(Cable Modem Termina  
 tion System) (31) (30) (40,42,44,46)

(40,42,44,46)  
 (Local Area Network:LAN)  
 (40,42,44,46) (50,52,54,56)

(40,42,44,46) TFTP (10)

(40,42,44,46)  
 2 (60) VSIF(Vendor - Specific Infor  
 mation Field) 2 VSIF  
 가 TLV  
 VSIF TLV(Type - Length - Value) , TLV  
 , A type1,2 , B  
 type3,4 . type1,3 , type3,4  
 (60) TFTP (10) VSIF type1,2  
 (60) VSIF type1,2  
 , 가 B  
 (60) , VSIF type 3,4 ,

3 . 3  
 101 103 . 103  
 VISF 105 . 105  
 107 가 .107 가 VISF 가  
 가 109 , 가

109 TFTP (10) 111  
 . 111 113 . 113

가

, 가

VISF

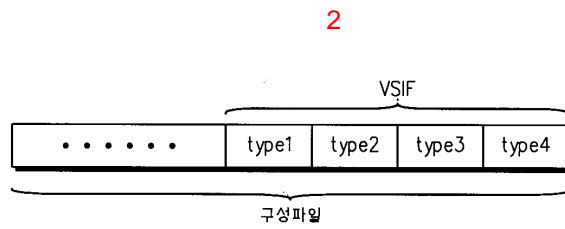
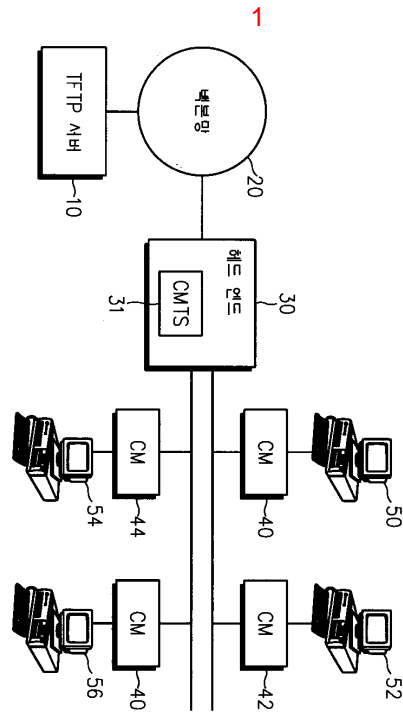
(57)

1.

(TFTP:Trivial File Transfer Protocol) 가  
ic Information Field)

(VSIF:Vendor - Specif

가 VSIF 가



3

