



(12) **United States Design Patent**  
**Regard**

(10) **Patent No.:** **US D1,052,081 S**

(45) **Date of Patent:** **\*\* Nov. 19, 2024**

(54) **DOSE DIVIDER**

(71) Applicant: **NEMERA LA VERPILLIERE**, La  
Verpillière (FR)

(72) Inventor: **Alain Regard**, Beynost (FR)

(\*\*) Term: **15 Years**

(21) Appl. No.: **35/514,613**

(22) Filed: **Mar. 9, 2022**

(80) **Hague Agreement Data**

Int. Filing Date: **Mar. 9, 2022**  
Int. Reg. No.: **DM/221583**  
Int. Reg. Date: **Mar. 9, 2022**  
Int. Reg. Pub. Date: **Jul. 1, 2022**

(30) **Foreign Application Priority Data**

Sep. 13, 2021 (EM) ..... 008683437-0001  
Sep. 13, 2021 (EM) ..... 008683437-0002  
Sep. 13, 2021 (EM) ..... 008683437-0003

(51) **LOC (14) Cl.** ..... **24-02**

(52) **U.S. Cl.**  
USPC ..... **D24/130**

(58) **Field of Classification Search**  
USPC ..... D24/112-115, 127-130, 133, 152, 186  
CPC .. A61M 5/178; A61M 5/3146; A61M 5/3129;  
A61M 5/3148; A61M 5/315  
See application file for complete search history.

(56) **References Cited**

**U.S. PATENT DOCUMENTS**

D364,461 S \* 11/1995 Liebert ..... D24/130  
D448,844 S \* 10/2001 Reis ..... D24/114  
D620,591 S \* 7/2010 Young ..... D24/130  
D655,000 S \* 2/2012 Mirigian ..... D24/130  
D675,317 S \* 1/2013 Baxter ..... D24/130  
D710,005 S \* 7/2014 Kawamura ..... D24/130  
D718,439 S \* 11/2014 Woehr ..... D24/130

D736,913 S \* 8/2015 Kusunoki ..... D24/127  
D750,239 S \* 2/2016 Pappalardo ..... D24/130  
D757,258 S \* 5/2016 Weibhaupt ..... D24/127  
D768,850 S \* 10/2016 Rozwadowski ..... D24/130  
D777,325 S \* 1/2017 Aneas ..... D24/130  
D784,525 S \* 4/2017 Nguyen ..... D24/127  
D790,691 S \* 6/2017 Davis ..... D24/130  
D793,549 S \* 8/2017 Defusco ..... D24/128

(Continued)

**FOREIGN PATENT DOCUMENTS**

CA 202878 \* 8/2022  
CN 307425930 \* 6/2022

(Continued)

**OTHER PUBLICATIONS**

Kids Baby Oral Syringe & Dispenser, True Easy Design for Liquid Medicine, premiumvials, [Post date unknown], [Site seen Aug. 29, 2023], Seen at URL: <https://www.premiumvials.com/ezy-dose-kids-baby-oral-syringe-dispenser-true-easy-design-for-liquid-medicine-10-ml-2-tsp-4-pack/> (Year: 2023).\*

(Continued)

*Primary Examiner* — Natasha Vujcic  
*Assistant Examiner* — Gilbert B Ford

(57) **CLAIM**

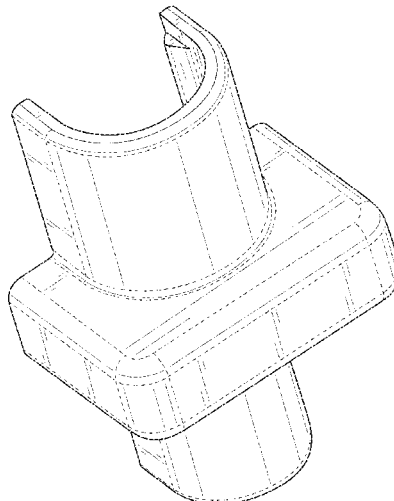
The ornamental design for a dose divider, as shown and described.

**DESCRIPTION**

FIG. 2.1 Back view  
FIG. 2.2 Bottom view  
FIG. 2.3 Top view  
FIG. 2.4 Right side view  
FIG. 2.5 Front view  
FIG. 2.6 Bottom perspective view  
FIG. 2.7 Top perspective view

The broken lines in the drawings depict portions of the dose divider that form no part of the claimed design.

**1 Claim, 7 Drawing Sheets**



(56)

**References Cited**

U.S. PATENT DOCUMENTS

D799,034 S \* 10/2017 Nguyen ..... D24/130  
D827,133 S \* 8/2018 Großer ..... D24/130  
D839,423 S \* 1/2019 Großer ..... D24/130  
D883,476 S \* 5/2020 Lofthouse ..... D24/127  
D942,005 S \* 1/2022 Neff ..... D24/130  
D954,942 S \* 6/2022 Lee ..... D24/114  
D967,414 S \* 10/2022 Cebadera Miranda ..... D24/130  
D973,203 S \* 12/2022 Tyrsing ..... D24/130  
D973,873 S \* 12/2022 Tyrsing ..... D24/130  
D974,543 S \* 1/2023 Painchaud ..... D24/110  
D974,552 S \* 1/2023 Niven ..... D24/130

FOREIGN PATENT DOCUMENTS

EM 008683437-0002 \* 4/2022  
KR 301154383.0000 \* 3/2022

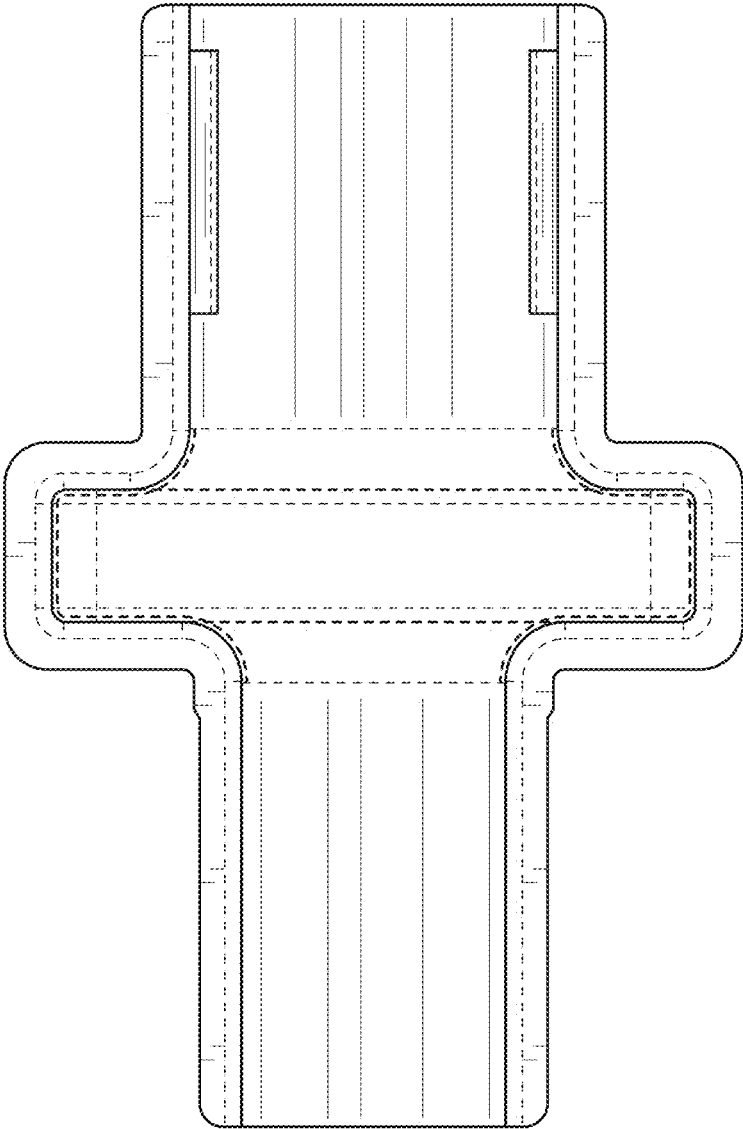
OTHER PUBLICATIONS

Nasal Vaccine, Nemera, Nemera.com, [Post date Dec. 6, 2022],  
[Site seen Aug. 29, 2023], Seen at URL: <https://www.nemera.net/products/ear-nose-throat/nasal-vaccine/> (Year: 2022).\*

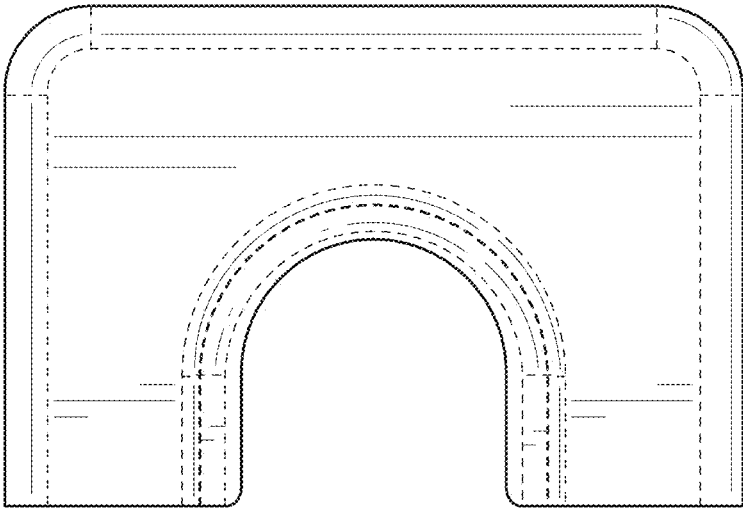
Balfour, Hannah, "New Finnish Company to Develop a nasal spray vaccine for Covid 19", European Pharmaceutical Review, [Post date Mar. 10, 2021], [Site seen Aug. 29, 2023], Seen at URL: <https://www.europeanpharmaceuticalreview.com/news/146970/new-finnish-company-to-develop-a-nasal-spray-vaccine-for-covid-19/> (Year: 2021).\*

\* cited by examiner

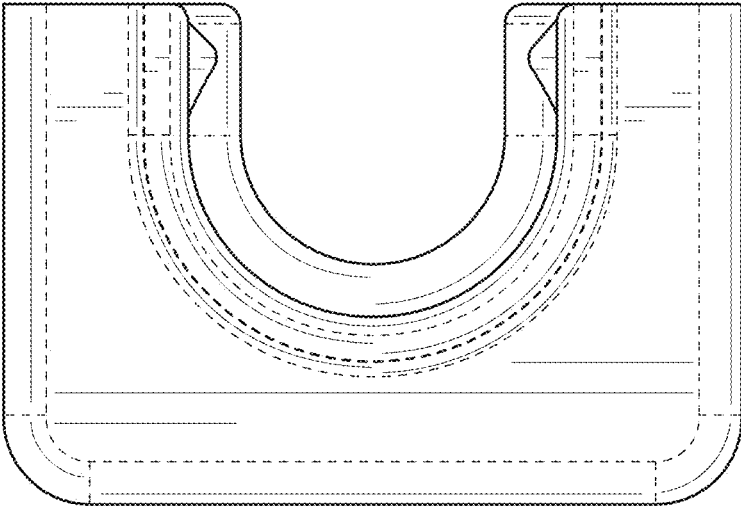
# 2.1



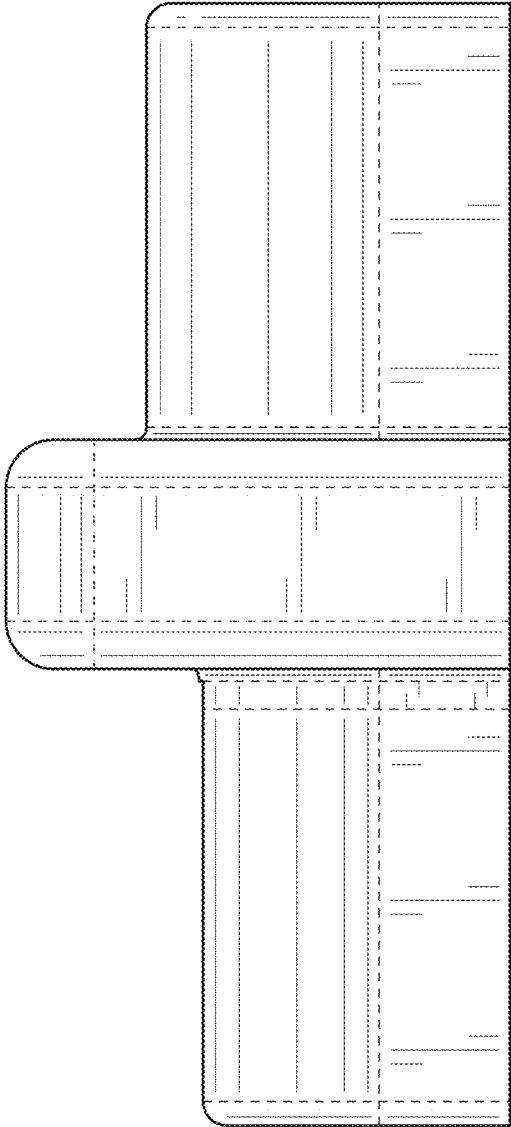
# 2.2



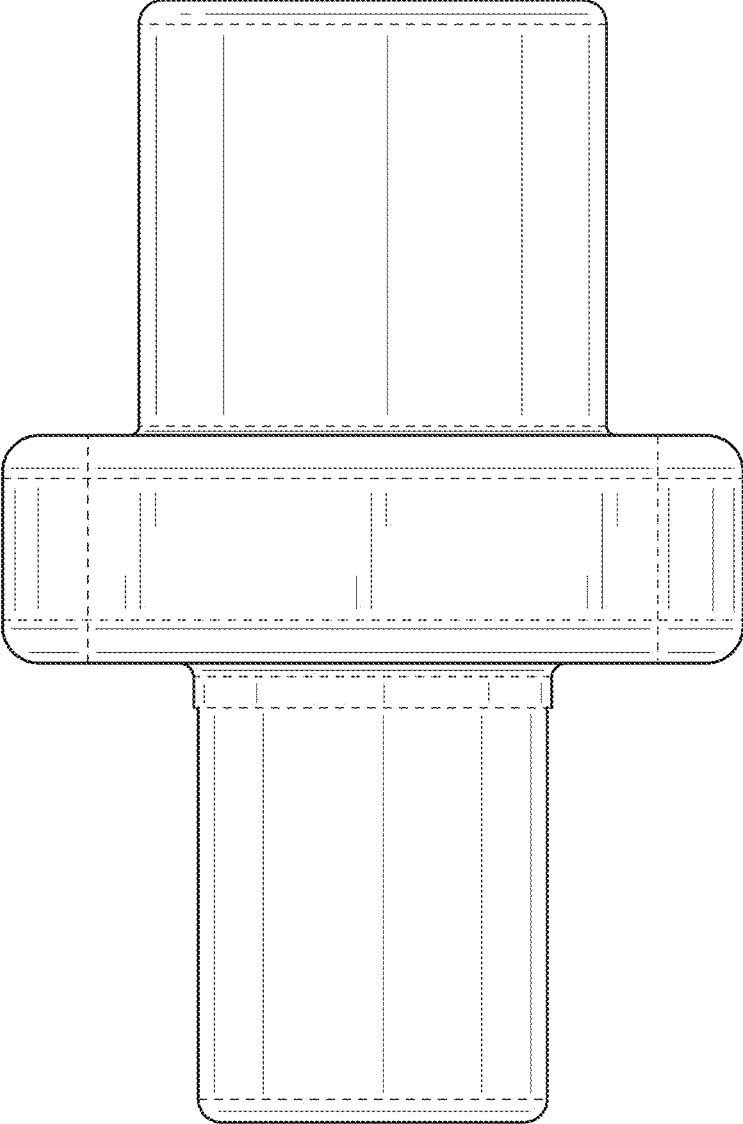
# 2.3



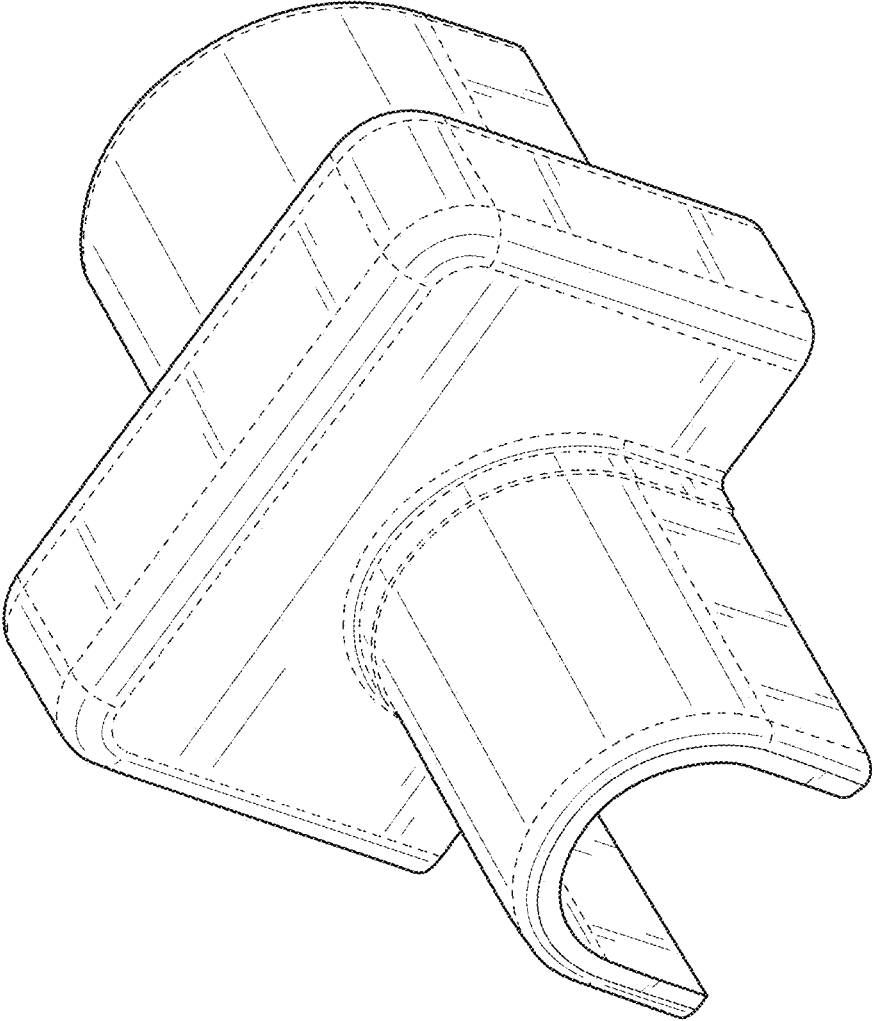
# 2.4



2.5



# 2.6





**2.7**

