

[54] COMBINED ELECTRIC TOOTHBRUSH
HOLDER AND STAND

[75] Inventor: Ng Cheuk-Yiu, Hong Kong, Hong
Kong

[73] Assignee: Blue Box Toy Factory Limited,
Kowloon, Hong Kong

[**] Term: 14 Years

[21] Appl. No.: 530,914

[22] Filed: Sep. 9, 1983

[30] Foreign Application Priority Data

May 9, 1983 [GB] United Kingdom 1 012 917
[52] U.S. Cl. D4/101
[58] Field of Search D4/101; 15/22 R, 23,
15/24; 128/66

[56] References Cited

U.S. PATENT DOCUMENTS

D. 221,823 9/1971 Cook D4/101
D. 266,117 9/1982 Oberheim D4/101

Primary Examiner—Catherine E. Kemper
Attorney, Agent, or Firm—Pollock, Vande Sande &
Priddy

[57] CLAIM

The ornamental design for a combined electric tooth-
brush holder and stand, as shown.

DESCRIPTION

FIG. 1 is a top front perspective view of a combined
electric toothbrush holder and stand, showing my new
design;
FIG. 2 is a right end elevational view thereof;
FIG. 3 is a rear elevational view thereof;
FIG. 4 is a perspective view of the device with the
toothbrush removed from the stand.

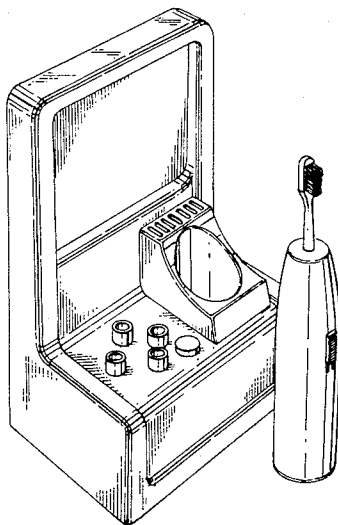


FIG. 1.

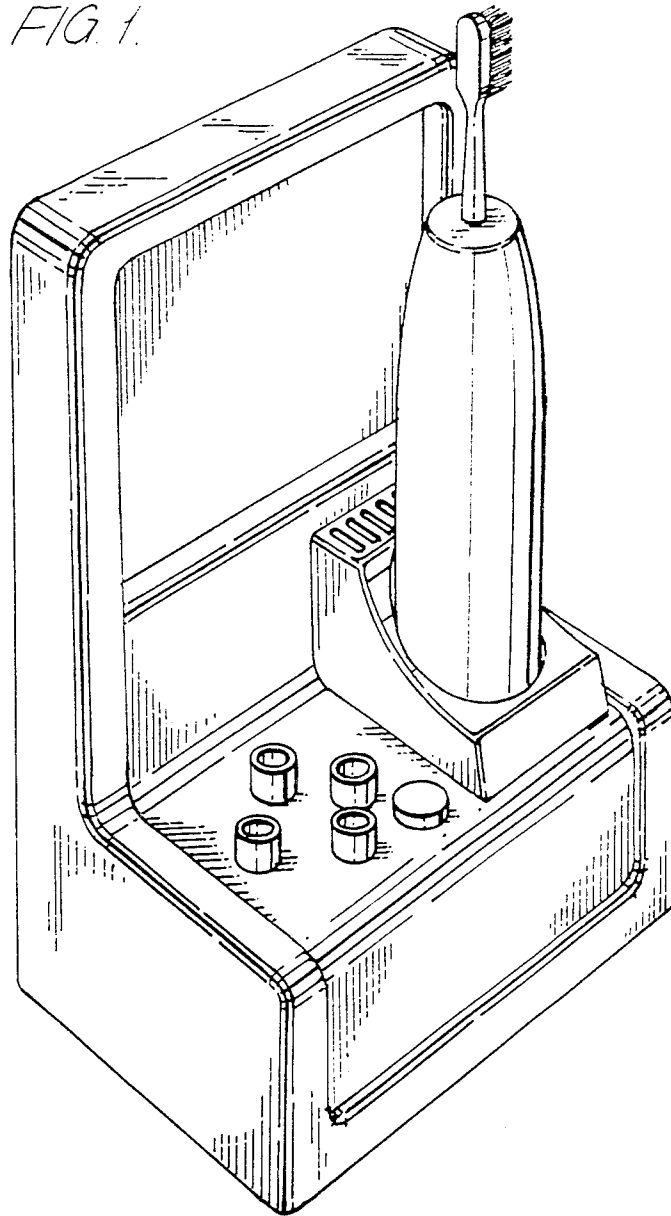


FIG. 2.

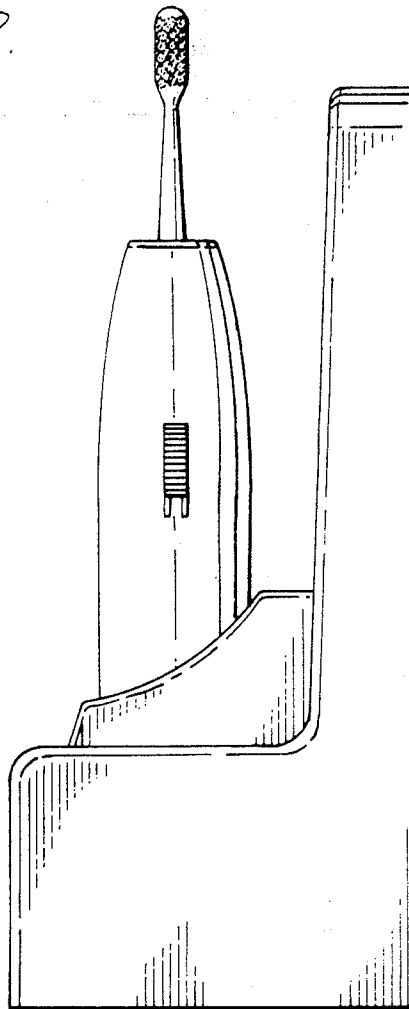


FIG. 3.

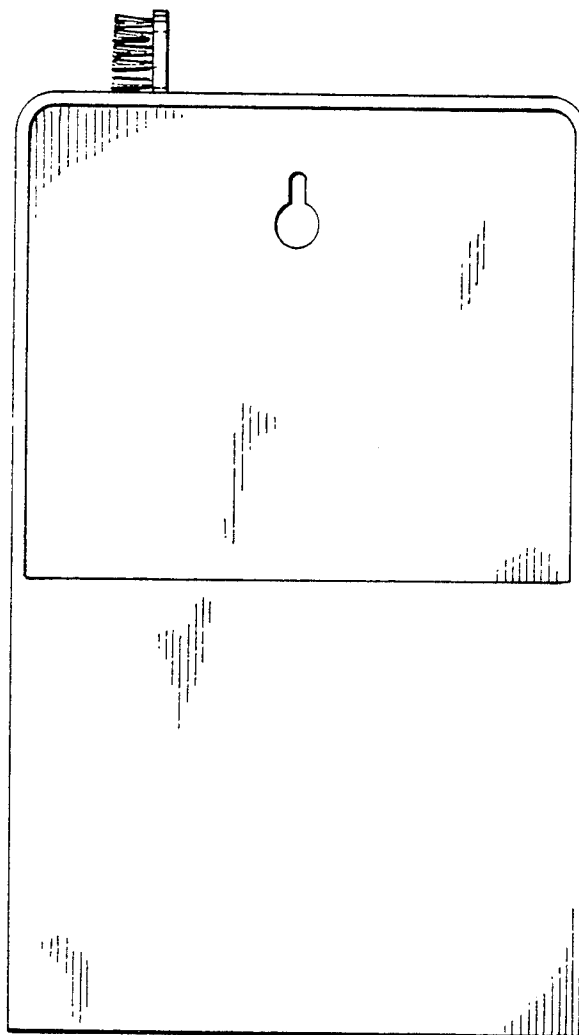


FIG. 4.

