

[54] **GOLF PUTTER HEAD**

[76] **Inventor: Frank H. Gebhardt, 530 Middle Rd., Kalispell, Mont. 59901**

[**] **Term: 14 Years**

[21] **Appl. No.: 161,831**

[22] **Filed: Feb. 29, 1988**

[52] **U.S. Cl. D21/217**

[58] **Field of Search D21/214-220;
273/167-175, 163 R, 164**

[56] **References Cited**

U.S. PATENT DOCUMENTS

- D. 221,446 8/1971 Cook .
- D. 228,930 10/1973 Leigh .
- D. 271,604 11/1983 Stone et al. D21/217
- 3,448,981 6/1969 Anweiler .
- 3,462,155 8/1969 Pelz .
- 3,967,826 7/1976 Judice 273/167 F
- 3,989,257 11/1976 Barr .
- 4,121,833 10/1978 Prueter .
- 4,138,117 2/1979 Dalton .
- 4,265,452 5/1981 Vella .

OTHER PUBLICATIONS

Northwestern 1976 Golf Equipment Cat., p. 27, upper left, Putter No. 390-2400.

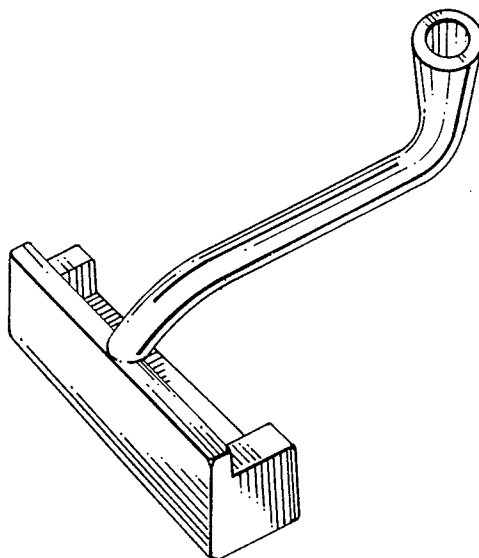
Primary Examiner—Melvin B. Feifer
Attorney, Agent, or Firm—Wells, St. John & Roberts

[57] **CLAIM**

The ornamental design for a golf putter head, as shown and described.

DESCRIPTION

FIG. 1 is a perspective view of a golf putter head showing my new design;
FIG. 2 is a top plan view thereof;
FIG. 3 is a bottom plan view thereof;
FIG. 4 is a right side elevation view thereof;
FIG. 5 is a left side elevation view thereof;
FIG. 6 is a front elevation view thereof;
FIG. 7 is a rear elevation view thereof;
FIG. 8 is a perspective view of an alternate form thereof;
FIG. 9 is a top plan view of the alternate form thereof;
FIG. 10 is a bottom plan view of the alternate form thereof;
FIG. 11 is a right side elevation view of the alternate form thereof;
FIG. 12 is a left side elevation view of the alternate form thereof;
FIG. 13 is a front elevation view of the alternate form thereof; and
FIG. 14 is a rear elevation view of the alternate form thereof.



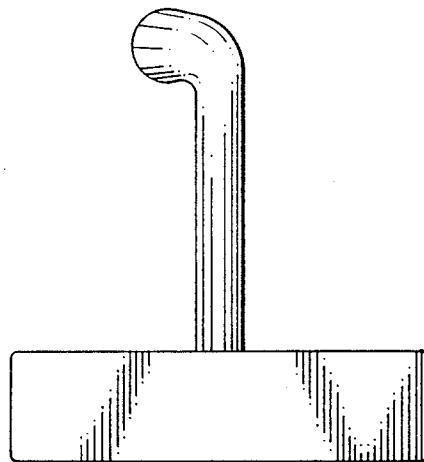
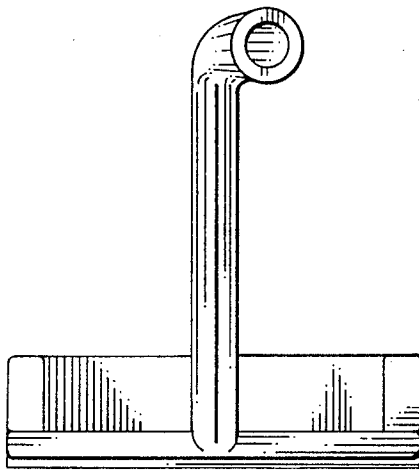
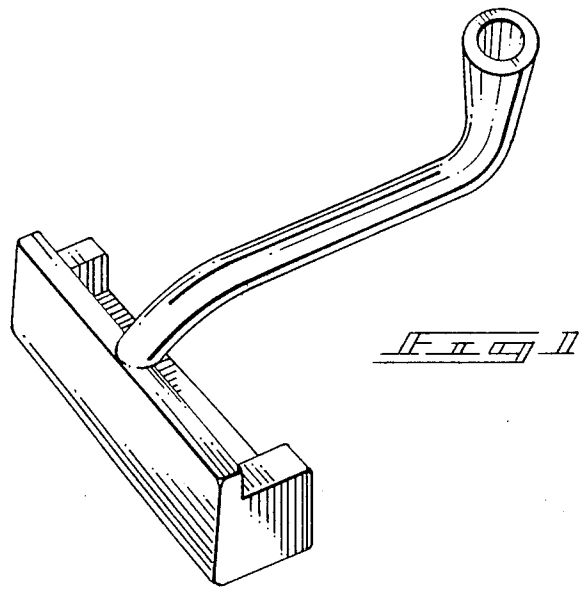


FIG 4

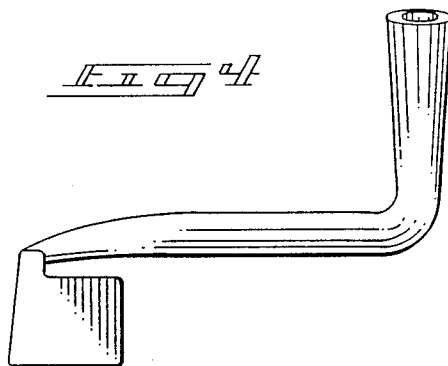


FIG 5

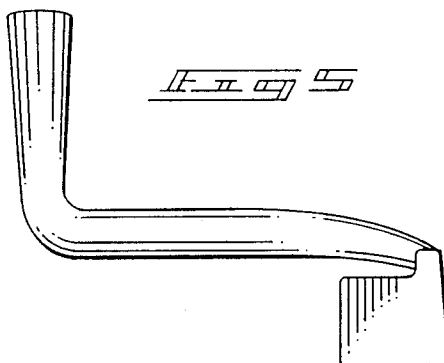


FIG 6

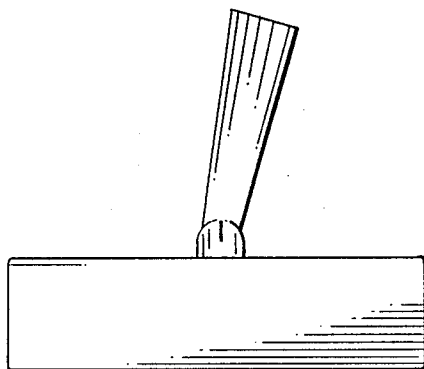
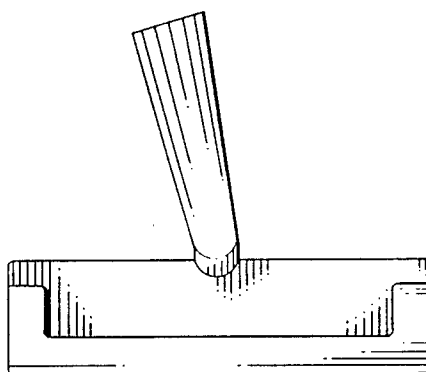
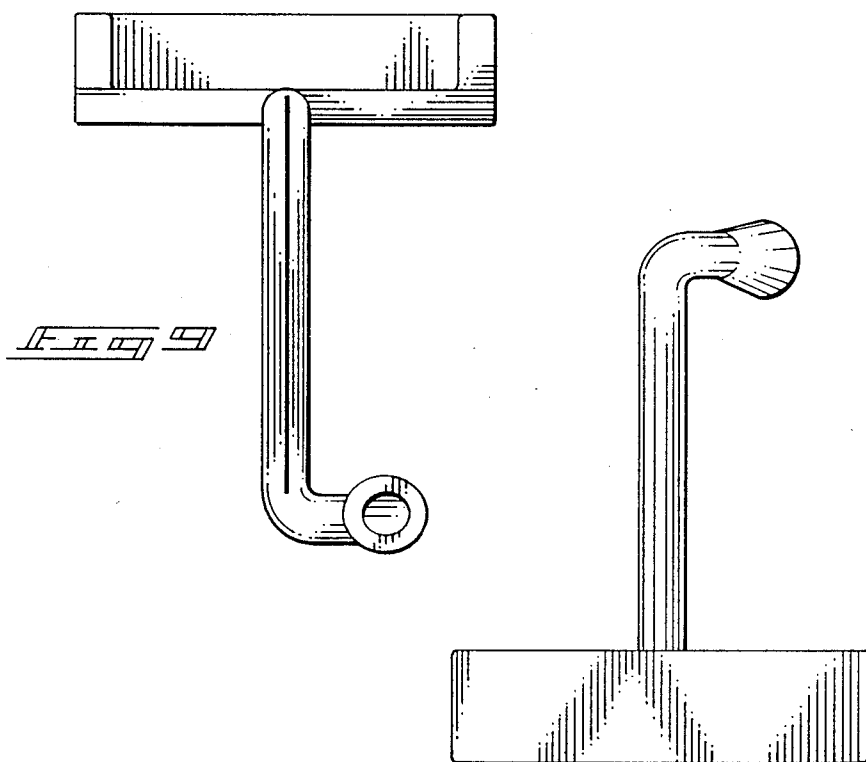
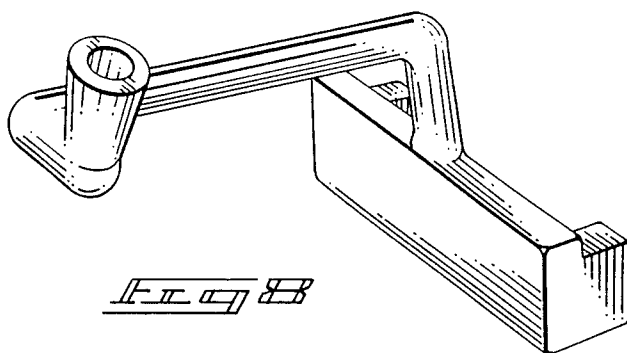


FIG 7





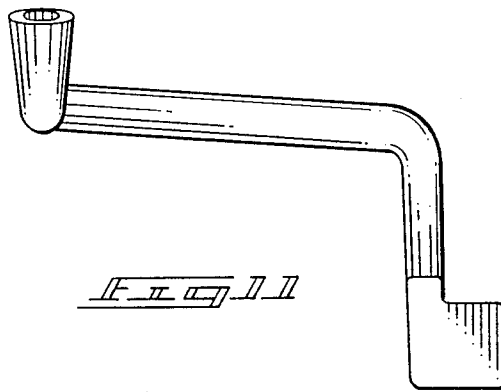


FIG. 11

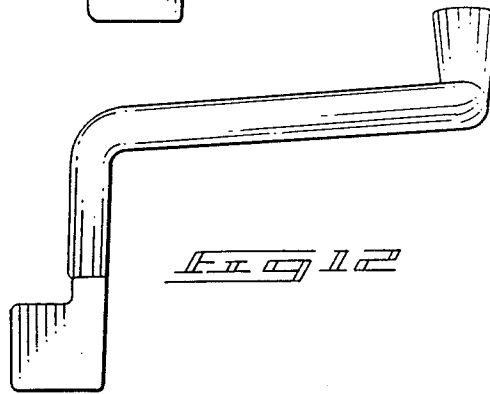


FIG. 12

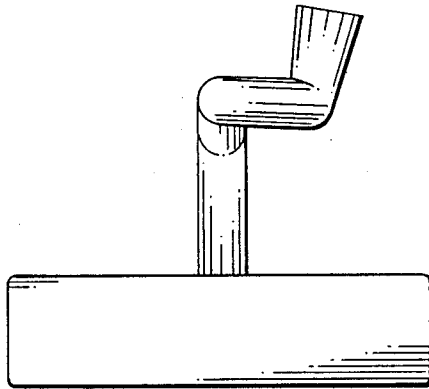


FIG. 13

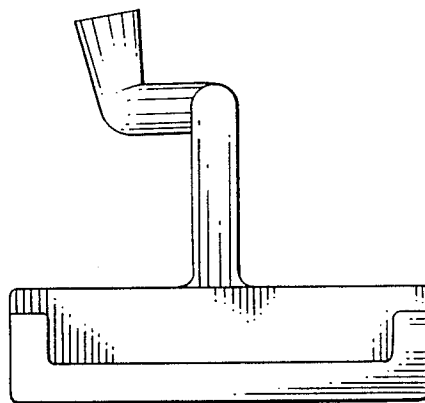


FIG. 14