



- (51) International Patent Classification:
A61L 2/14 (2006.01)
- (21) International Application Number:
PCT/GB2012/052822
- (22) International Filing Date:
14 November 2012 (14.11.2012)
- (25) Filing Language: English
- (26) Publication Language: English
- (30) Priority Data:
1120278.5 24 November 2011 (24.11.2011) GB
- (71) Applicant: CREO MEDICAL LIMITED [GB/GB];
Riverside Court, Beaufort Park Way, Chepstow, Gwent
NP16 5UH (GB).
- (72) Inventors: HANCOCK, Christopher Paul; Goldney
House, The Avenue, Combe Down, Bath, Bath and North
East Somerset BA2 5EH (GB). MORRIS, Steven; 7 Georgian
House, Duke Street, Bath, Bath and North East
Somerset BA2 4AQ (GB).
- (74) Agents: JOHNSON, Richard et al.; Mewburn Ellis LLP,
33 Gutter Lane, London, Greater London EC2V 8AS (GB).
- (81) Designated States (unless otherwise indicated, for every
kind of national protection available): AE, AG, AL, AM,
AO, AT, AU, AZ, BA, BB, BG, BH, BN, BR, BW, BY,
BZ, CA, CH, CL, CN, CO, CR, CU, CZ, DE, DK, DM,
DO, DZ, EC, EE, EG, ES, FI, GB, GD, GE, GH, GM, GT,

HN, HR, HU, ID, IL, IN, IS, JP, KE, KG, KM, KN, KP,
KR, KZ, LA, LC, LK, LR, LS, LT, LU, LY, MA, MD,
ME, MG, MK, MN, MW, MX, MY, MZ, NA, NG, NI,
NO, NZ, OM, PA, PE, PG, PH, PL, PT, QA, RO, RS, RU,
RW, SC, SD, SE, SG, SK, SL, SM, ST, SV, SY, TH, TJ,
TM, TN, TR, TT, TZ, UA, UG, US, UZ, VC, VN, ZA,
ZM, ZW.

(84) Designated States (unless otherwise indicated, for every
kind of regional protection available): ARIPO (BW, GH,
GM, KE, LR, LS, MW, MZ, NA, RW, SD, SL, SZ, TZ,
UG, ZM, ZW), Eurasian (AM, AZ, BY, KG, KZ, RU, TJ,
TM), European (AL, AT, BE, BG, CH, CY, CZ, DE, DK,
EE, ES, FI, FR, GB, GR, HR, HU, IE, IS, IT, LT, LU, LV,
MC, MK, MT, NL, NO, PL, PT, RO, RS, SE, SI, SK, SM,
TR), OAPI (BF, BJ, CF, CG, CI, CM, GA, GN, GQ, GW,
ML, MR, NE, SN, TD, TG).

Declarations under Rule 4.17:

— of inventorship (Rule 4.17(iv))

Published:

- with international search report (Art. 21(3))
- before the expiration of the time limit for amending the
claims and to be republished in the event of receipt of
amendments (Rule 48.2(h))

(88) Date of publication of the international search report:
18 July 2013

(54) Title: GAS PLASMA DISINFECTION AND STERILISATION APPARATUS

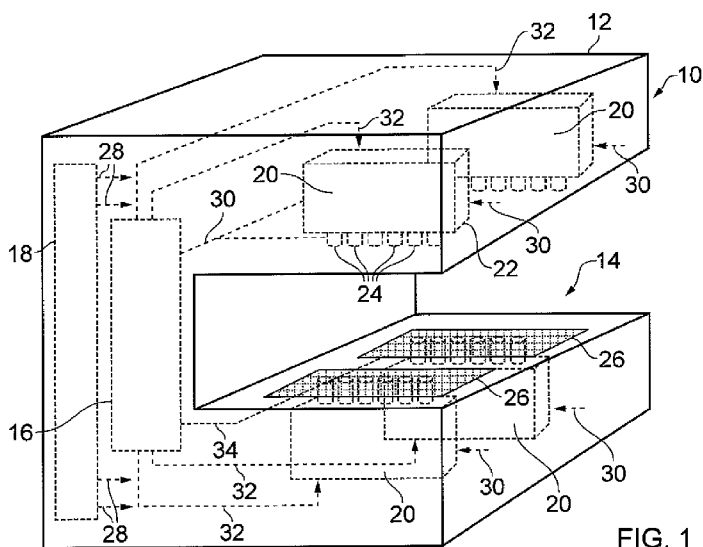


FIG. 1

(57) Abstract: A sterilisation or disinfecting system in which non-thermal plasma is generated in pulses, in which pulses of microwave frequency energy are used to sustain each plasma pulse, and a detectable characteristic of each pulse of microwave energy is used to trigger a radiofrequency strike pulse which strikes the plasma. The system includes a strike signal generation circuit arranged to condition and/or process the signal from the microwave signal coupler to form a control signal based on the detectable characteristic, which may be the rising edge or amplitude of the pulse.



INTERNATIONAL SEARCH REPORT

International application No
PCT/GB2012/052822

A. CLASSIFICATION OF SUBJECT MATTER
INV. A61L2/14
ADD.
According to International Patent Classification (IPC) or to both national classification and IPC

B. FIELDS SEARCHED
Minimum documentation searched (classification system followed by classification symbols)
A61L H05H

Documentation searched other than minimum documentation to the extent that such documents are included in the fields searched

Electronic data base consulted during the international search (name of data base and, where practicable, search terms used)
EPO-Internal, WPI Data

C. DOCUMENTS CONSIDERED TO BE RELEVANT

Category*	Citation of document, with indication, where appropriate, of the relevant passages	Relevant to claim No.
A	WO 2009/060213 A1 (MICROONCOLOGY LTD [GB]; HANCOCK CHRISTOPHER PAUL [GB]) 14 May 2009 (2009-05-14) cited in the application abstract; figure 11	1-28
A	EP 1 765 044 A1 (MAX PLANCK GESELLSCHAFT [DE]; ADTEC EUROP LTD [GB]) 21 March 2007 (2007-03-21) abstract; figure 8 paragraph [0016]	1-28
A	EP 0 395 415 A2 (FUJITSU LTD [JP]; FUJI ELECTRIC CO LTD [JP]) 31 October 1990 (1990-10-31) abstract; figure 1 column 9, line 34 - column 10, line 7	1-28
	-/--	

Further documents are listed in the continuation of Box C.

See patent family annex.

* Special categories of cited documents :

- "A" document defining the general state of the art which is not considered to be of particular relevance
- "E" earlier application or patent but published on or after the international filing date
- "L" document which may throw doubts on priority claim(s) or which is cited to establish the publication date of another citation or other special reason (as specified)
- "O" document referring to an oral disclosure, use, exhibition or other means
- "P" document published prior to the international filing date but later than the priority date claimed

- "T" later document published after the international filing date or priority date and not in conflict with the application but cited to understand the principle or theory underlying the invention
- "X" document of particular relevance; the claimed invention cannot be considered novel or cannot be considered to involve an inventive step when the document is taken alone
- "Y" document of particular relevance; the claimed invention cannot be considered to involve an inventive step when the document is combined with one or more other such documents, such combination being obvious to a person skilled in the art
- "&" document member of the same patent family

Date of the actual completion of the international search 21 May 2013	Date of mailing of the international search report 27/05/2013
--	--

Name and mailing address of the ISA/ European Patent Office, P.B. 5818 Patentlaan 2 NL - 2280 HV Rijswijk Tel. (+31-70) 340-2040, Fax: (+31-70) 340-3016	Authorized officer Crescenti, Massimo
--	--

INTERNATIONAL SEARCH REPORT

International application No
PCT/GB2012/052822

C(Continuation). DOCUMENTS CONSIDERED TO BE RELEVANT		
Category*	Citation of document, with indication, where appropriate, of the relevant passages	Relevant to claim No.
A	US 2007/193517 A1 (MATSUUCHI HIDETAKA [JP] ET AL) 23 August 2007 (2007-08-23) abstract; figures 24,25 -----	1-28

INTERNATIONAL SEARCH REPORT

Information on patent family members

International application No

PCT/GB2012/052822

Patent document cited in search report	Publication date	Patent family member(s)	Publication date	
WO 2009060213	A1	14-05-2009	CA 2741133 A1	14-05-2009
			CN 101918044 A	15-12-2010
			EP 2211916 A1	04-08-2010
			EP 2599506 A2	05-06-2013
			US 2010296977 A1	25-11-2010
			WO 2009060213 A1	14-05-2009

EP 1765044	A1	21-03-2007	EP 1765044 A1	21-03-2007
			EP 1925190 A1	28-05-2008
			US 2008237484 A1	02-10-2008
			WO 2007031250 A1	22-03-2007

EP 0395415	A2	31-10-1990	DE 69017744 D1	20-04-1995
			DE 69017744 T2	14-09-1995
			EP 0395415 A2	31-10-1990
			US 5160397 A	03-11-1992
			US 5310452 A	10-05-1994

US 2007193517	A1	23-08-2007	KR 20070082854 A	22-08-2007
			US 2007193517 A1	23-08-2007
