



US0D1003971S

(12) **United States Design Patent**
Gong et al.

(10) **Patent No.:** **US D1,003,971 S**

(45) **Date of Patent:** **** Nov. 7, 2023**

(54) **CAMERA**

(71) Applicant: **Shenzhen Qianyan Technology LTD,**
Shenzhen (CN)

(72) Inventors: **Cheng Gong,** Guangdong (CN);
Wenlong Wu, Guangdong (CN)

(**) Term: **15 Years**

(21) Appl. No.: **35/515,418**

(22) Filed: **Aug. 25, 2022**

(80) **Hague Agreement Data**

Int. Filing Date: **Aug. 25, 2022**

Int. Reg. No.: **DM/224032**

Int. Reg. Date: **Aug. 25, 2022**

Int. Reg. Pub. Date: **Oct. 21, 2022**

(51) **LOC (14) Cl.** **16-01**

(52) **U.S. Cl.**
USPC **D16/202**

(58) **Field of Classification Search**

USPC D16/200, 202-206, 218, 219, 242
CPC G03B 17/02; G03B 19/04; G03B 17/56;
G03B 17/04; G03B 15/03; H04N 23/50;
H04N 23/51; H04N 23/54; H04N 23/55;
H04N 23/63; H04N 7/181; H04N 7/183;
H04N 7/18; G08B 13/1963; G08B
13/19619; G08B 13/19632

See application file for complete search history.

(56) **References Cited**

U.S. PATENT DOCUMENTS

D675,660 S * 2/2013 Su D16/202
D709,117 S * 7/2014 Gan D16/202

D759,621 S * 6/2016 Maxwell D16/208
D849,089 S * 5/2019 Lu D16/202
D867,419 S * 11/2019 Liu D16/202
D867,422 S * 11/2019 Song D16/202
D870,790 S * 12/2019 Depay D16/202
D909,445 S * 2/2021 Voron D16/202
D939,605 S * 12/2021 Voron D16/202
D952,015 S * 5/2022 Wu D16/202
D970,580 S * 11/2022 Zhao D16/202
D973,119 S * 12/2022 Zhang D16/202
D982,645 S * 4/2023 Li D16/202

* cited by examiner

Primary Examiner — Ramzi Almatrahi

(57) **CLAIM**

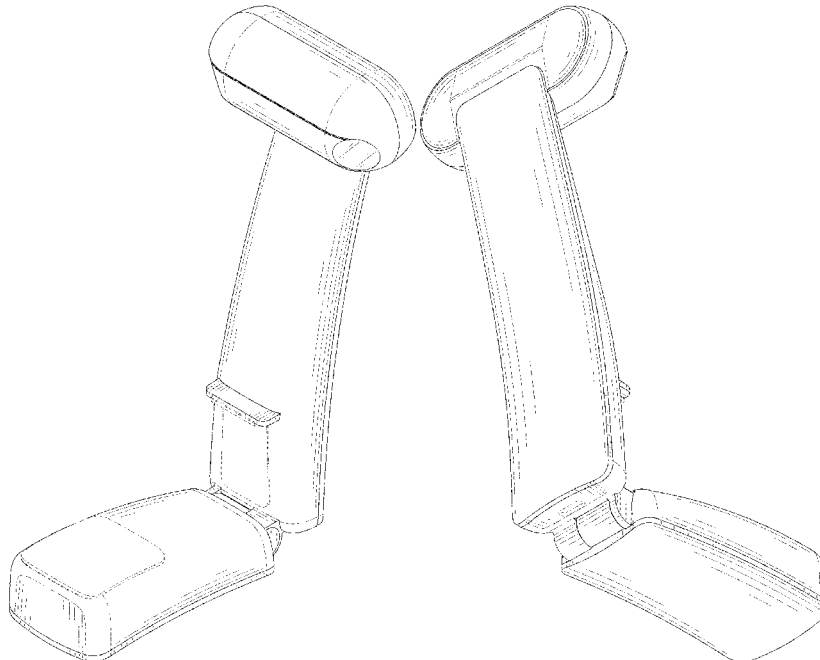
The ornamental design for a camera, as shown and described.

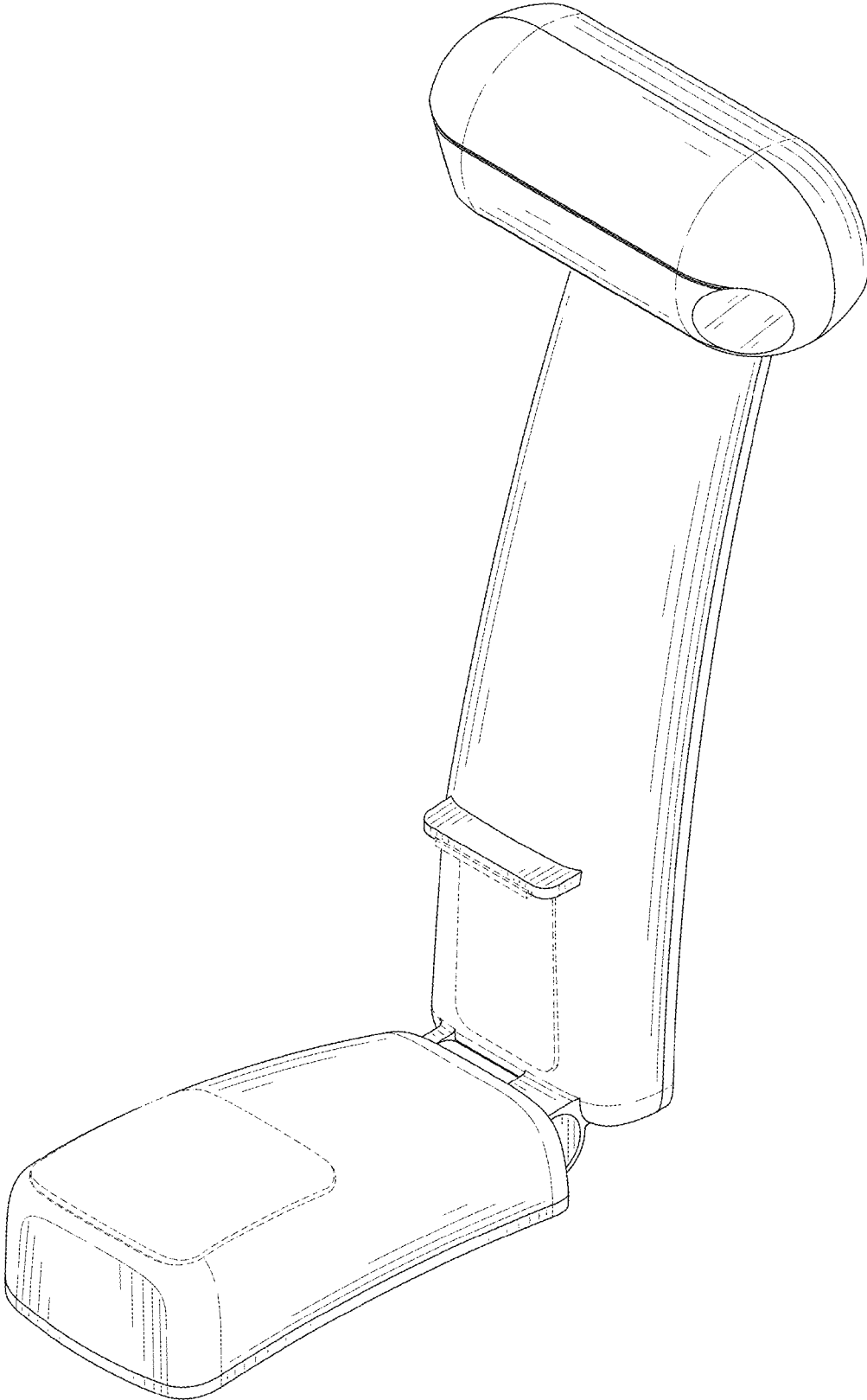
DESCRIPTION

- 1. Camera
- 1.1: Perspective
- 1.2: Perspective
- 1.3: Front
- 1.4: Back
- 1.5: Left
- 1.6: Right
- 1.7: Top
- 1.8: Bottom
- 1.9: Folded

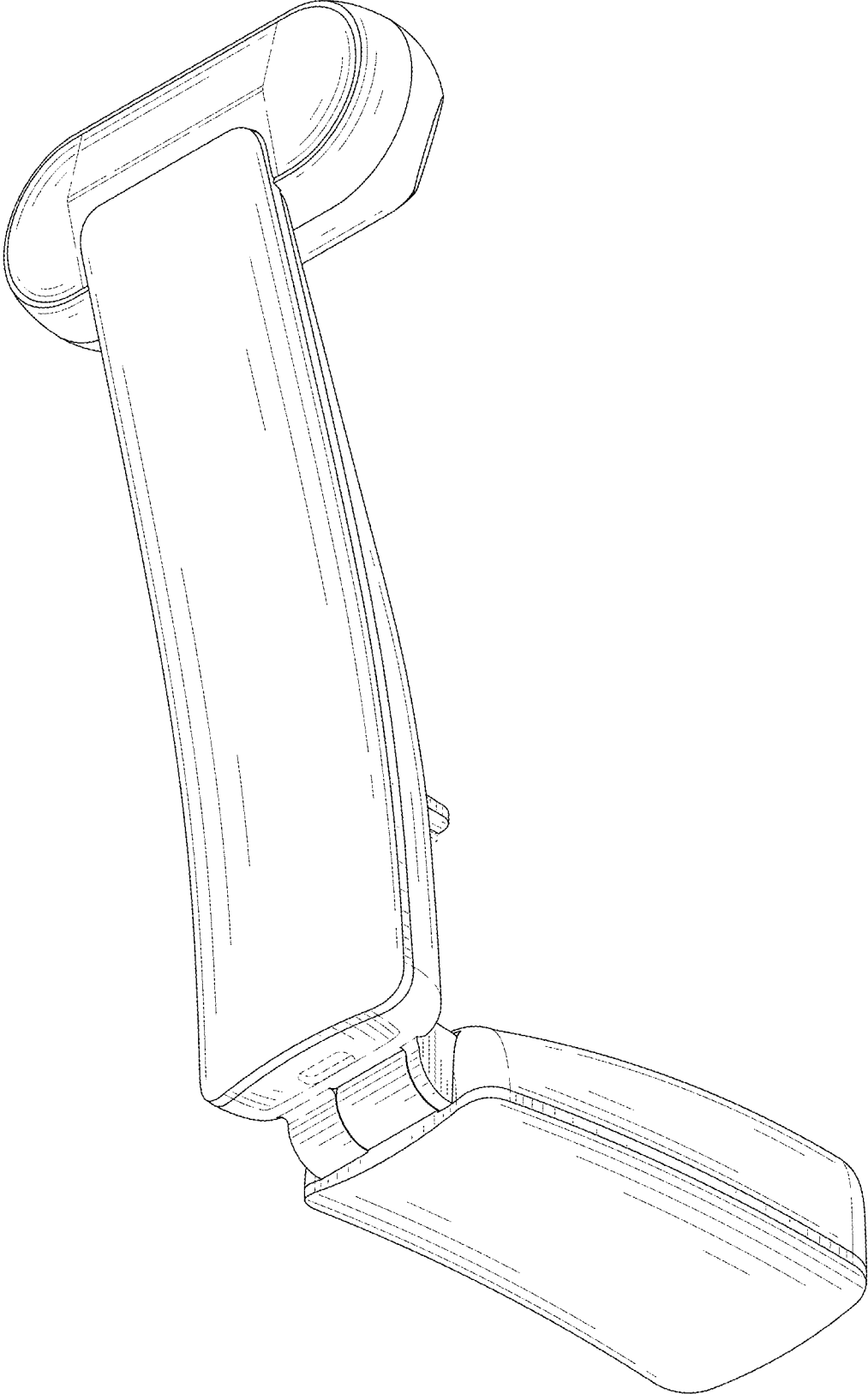
The broken lines shown in the drawings are included for the purpose of illustrating portions of the camera that form no part of the claimed design.

1 Claim, 9 Drawing Sheets

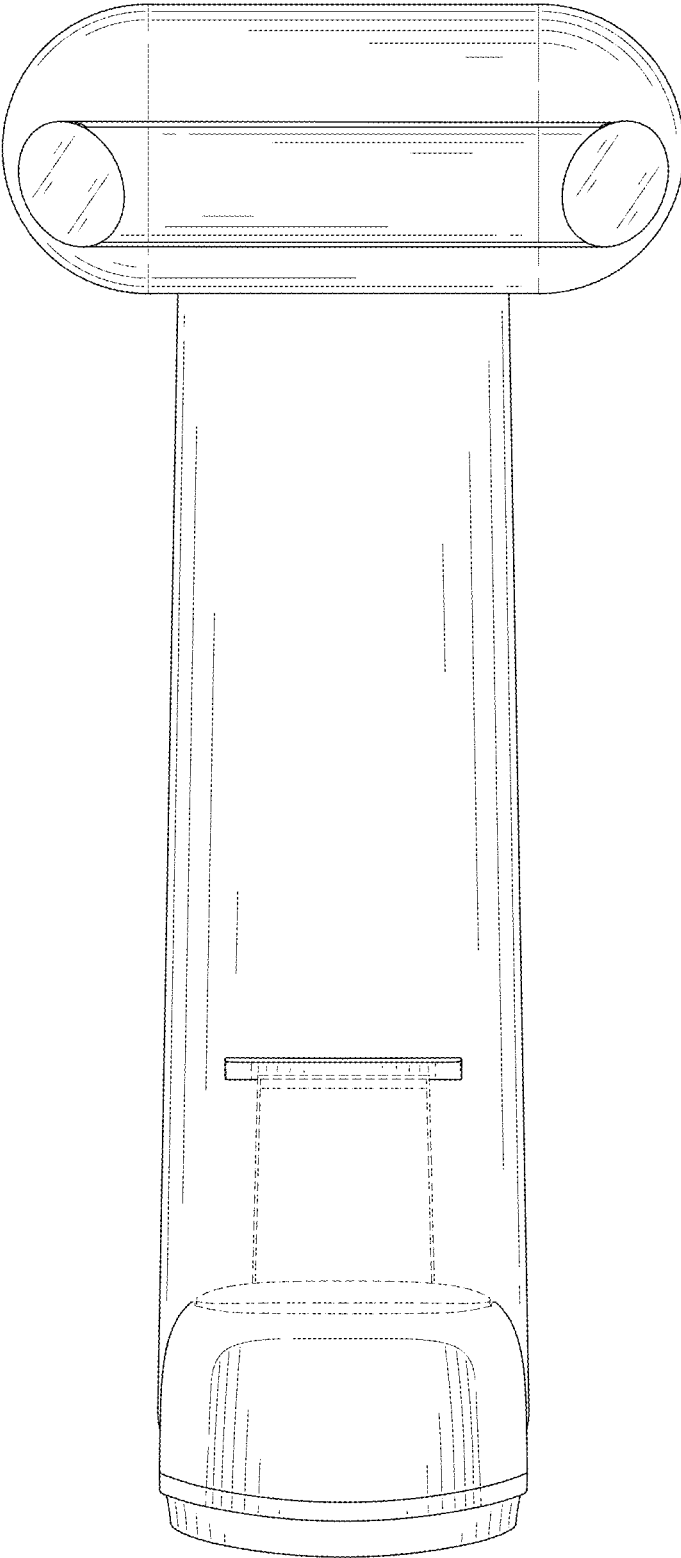




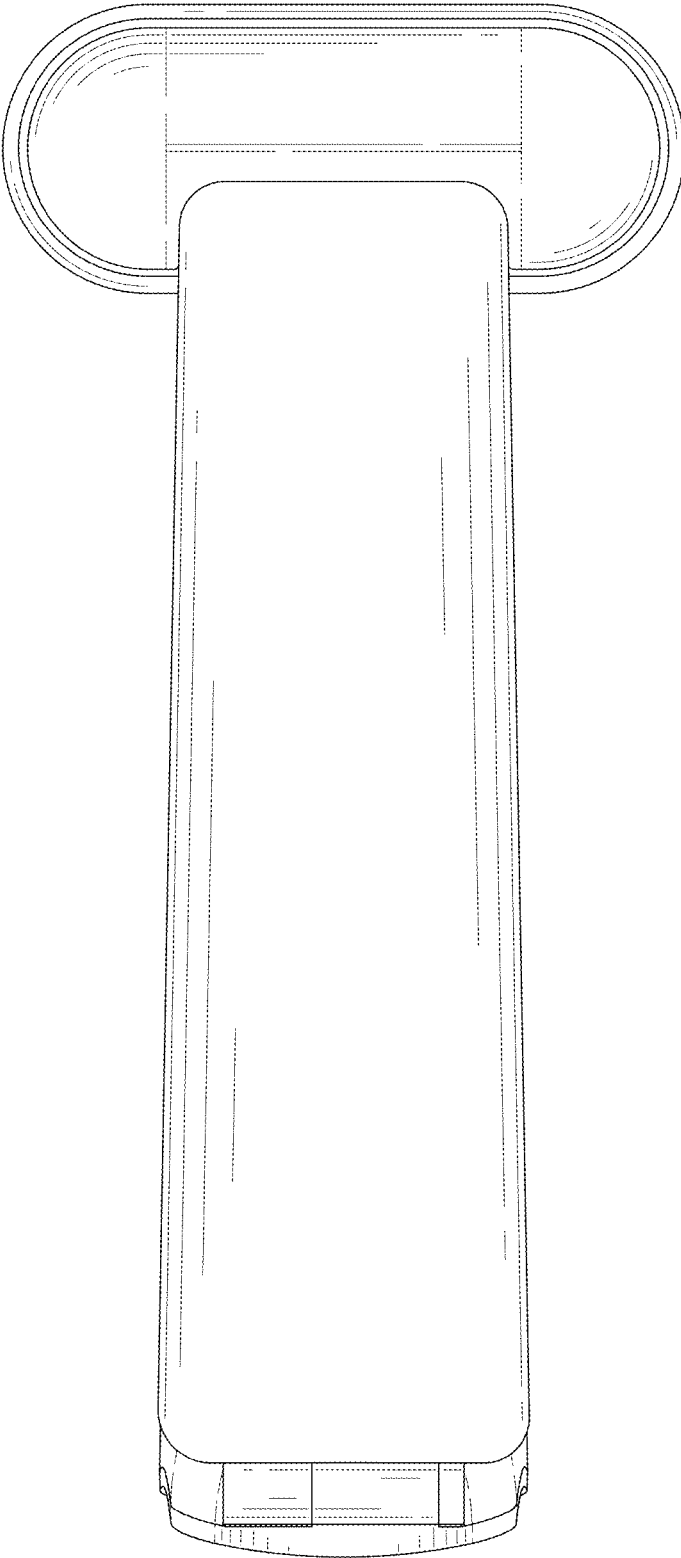
1.1



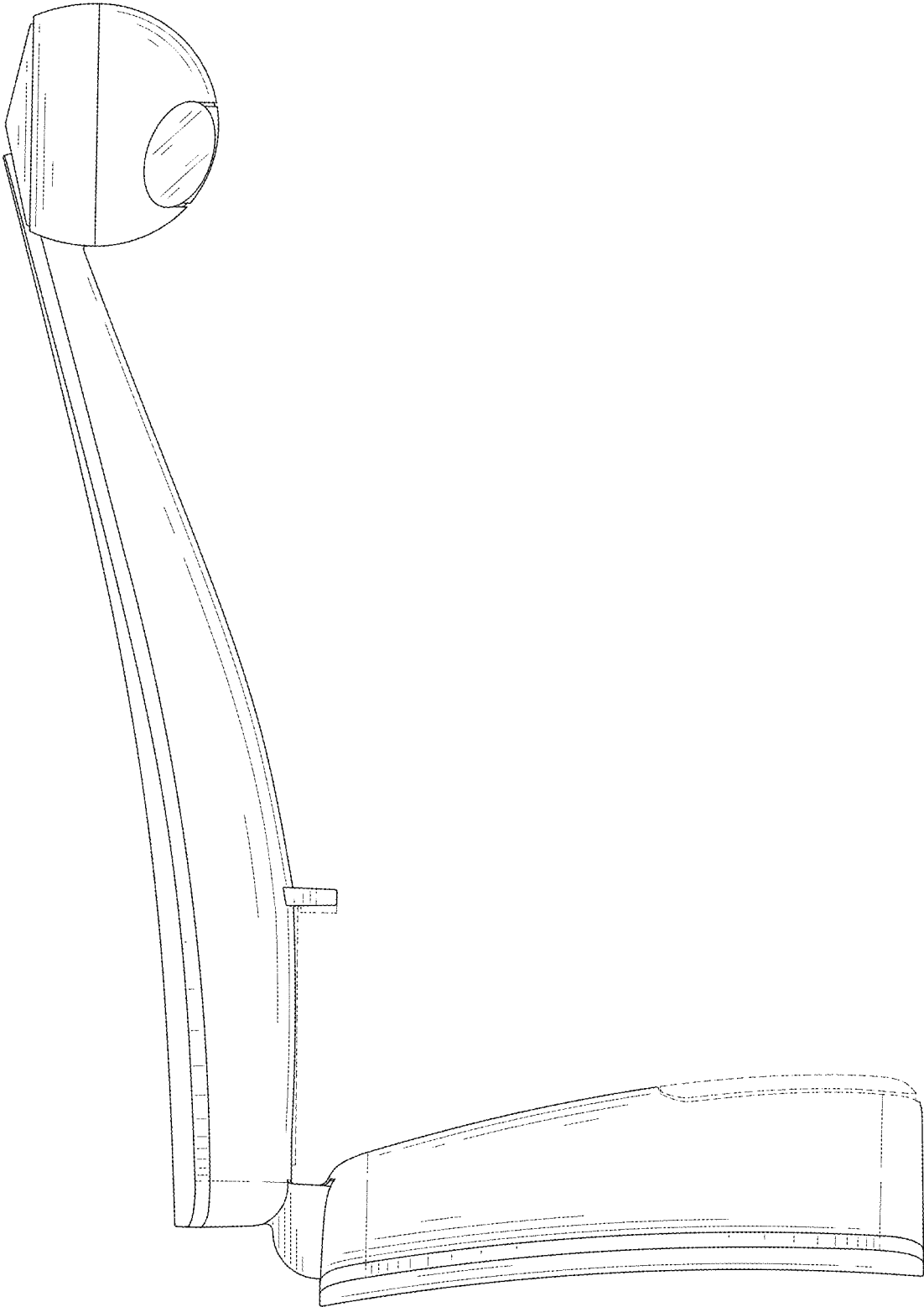
1.2



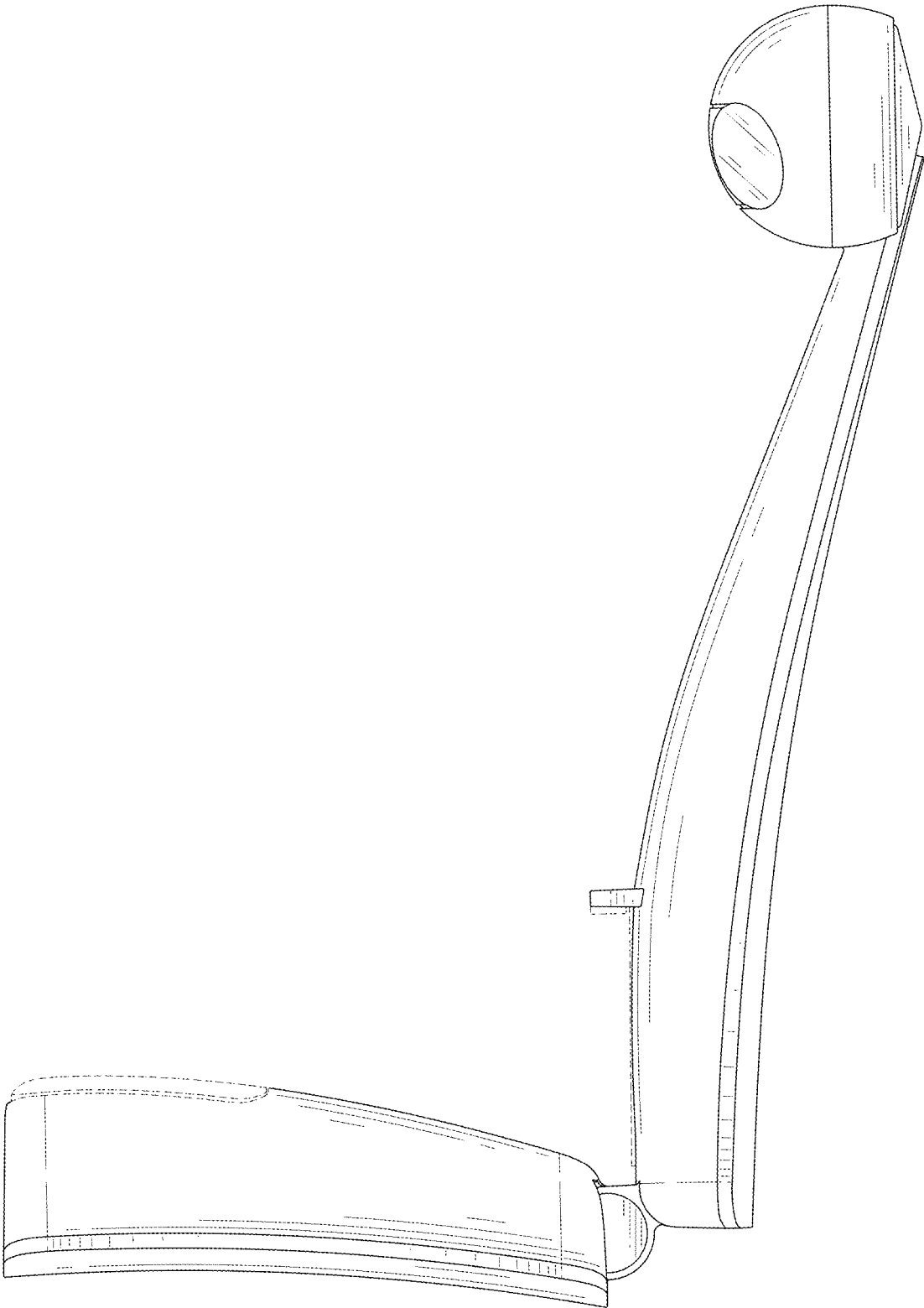
1.3



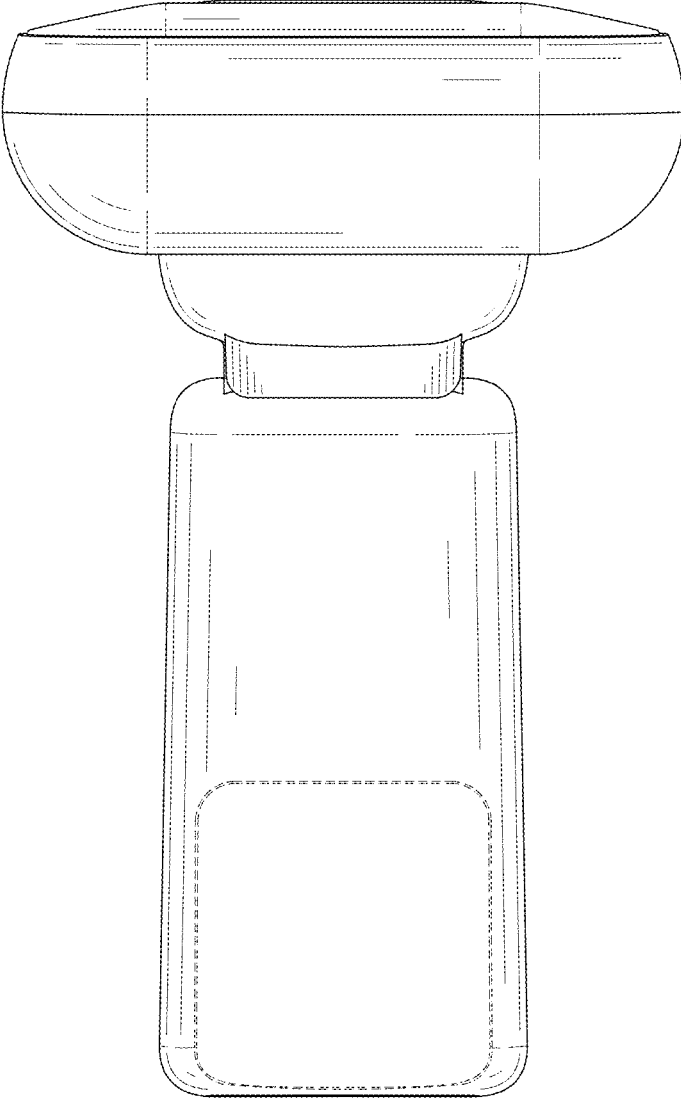
1.4



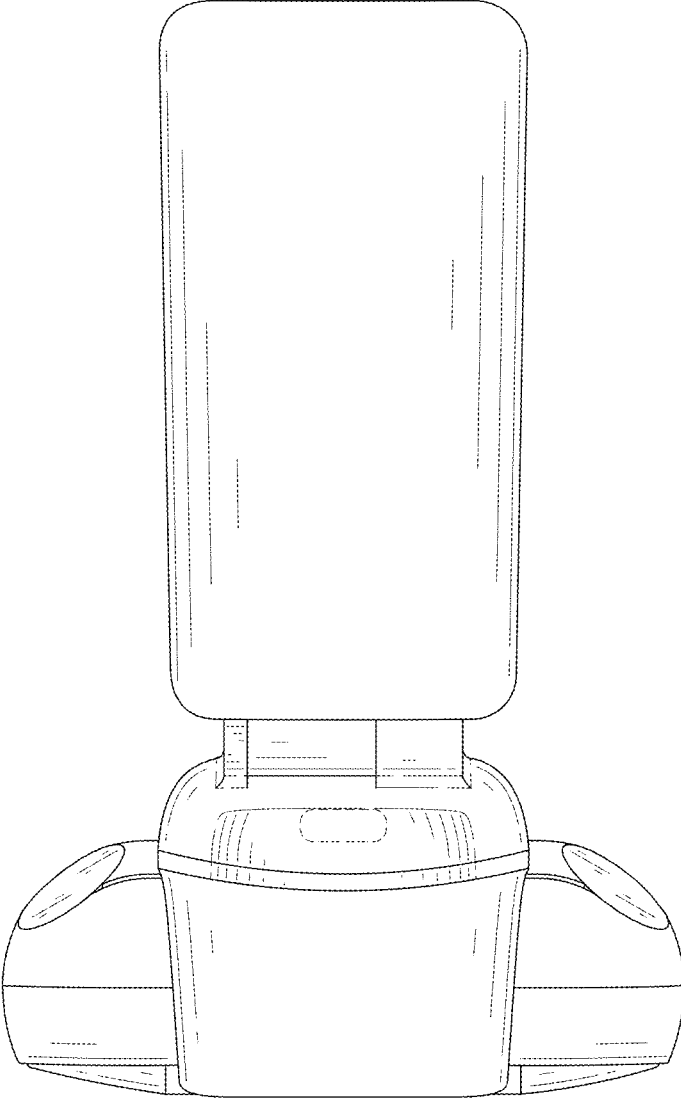
1.5



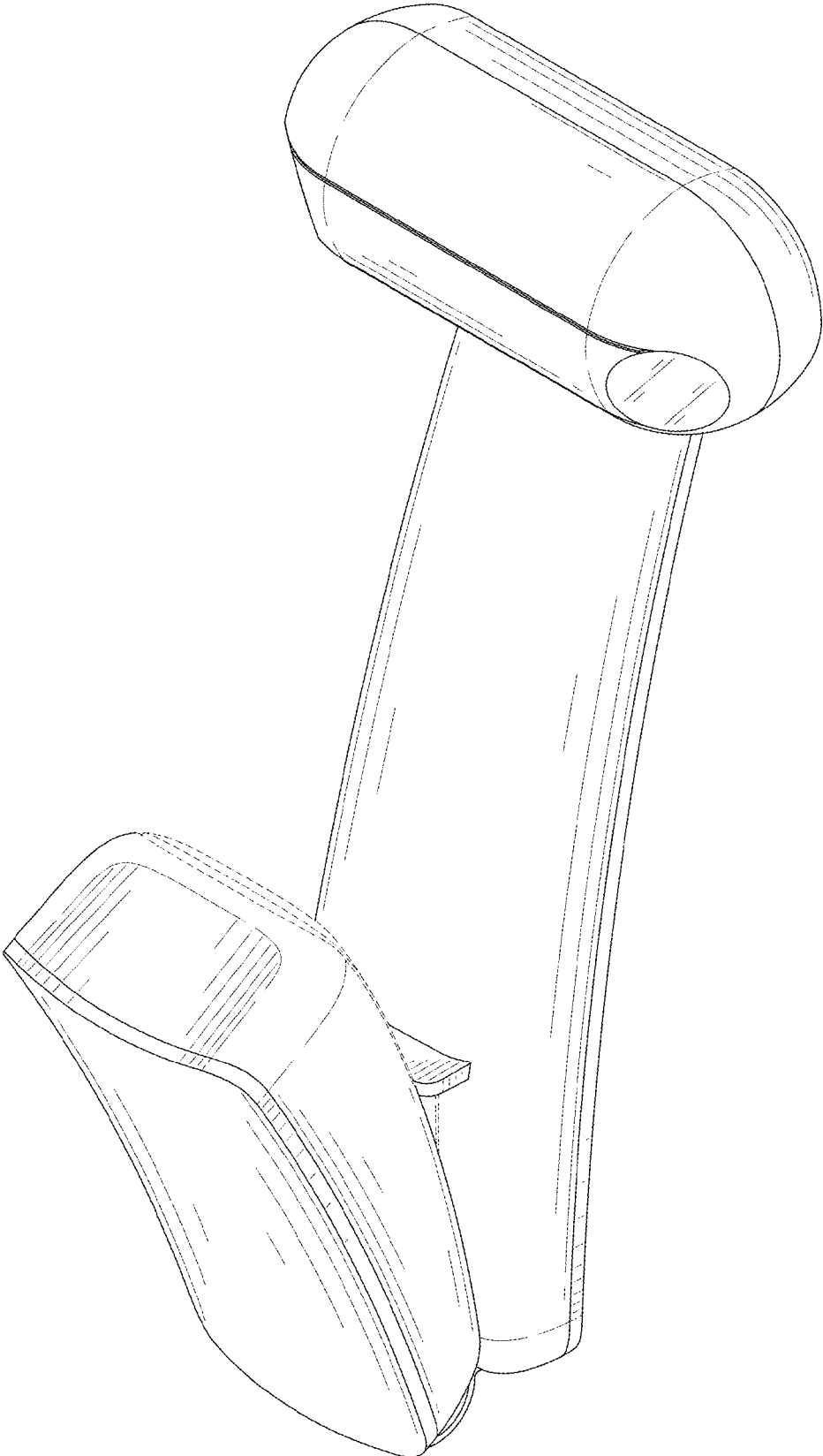
1.6



1.7



1.8



1.9