



US00D983858S

(12) **United States Design Patent**
Cho

(10) **Patent No.:** **US D983,858 S**

(45) **Date of Patent:** **** Apr. 18, 2023**

- (54) **CAMERA FOR AUTOMOBILE**
- (71) Applicant: **Eastern Mastec Corporation**, Paju-si (KR)
- (72) Inventor: **Yongbum Cho**, Hanam-si (KR)
- (73) Assignee: **EASTERN MASTEC CORPORATION**, Paju-Si (KR)

D647,934 S *	11/2011	Raken	D16/202
D705,337 S *	5/2014	Tani	D16/219
D724,642 S *	3/2015	Cho	D16/218
D754,235 S *	4/2016	Fish, Jr.	D16/218
D828,430 S *	9/2018	Pandya	D16/218
D849,098 S *	5/2019	Kapuria	D16/208
D898,798 S *	10/2020	Xiong	D16/202
D904,486 S *	12/2020	Xiong	D16/208
D907,098 S *	1/2021	Xiong	D16/208
2013/0107110 A1 *	5/2013	Park	H04N 5/2252 348/373

(**) Term: **15 Years**

* cited by examiner

(21) Appl. No.: **29/715,733**

Primary Examiner — Ramzi Almatrahi

(22) Filed: **Dec. 4, 2019**

(74) *Attorney, Agent, or Firm* — Dennemeyer & Associates LLC

(51) **LOC (14) Cl.** **16-01**

(52) **U.S. Cl.**
USPC **D16/208**

(58) **Field of Classification Search**
 USPC D16/200–208, 210, 214, 218, 219, 242;
 348/373–376; 396/419, 427, 428, 535,
 396/539–541
 CPC G03B 15/03; G03B 17/02; G03B 17/04;
 G03B 17/56; G03B 19/04; H04N 5/2251;
 H04N 5/2252; H04N 5/2253; H04N
 5/2254; H04N 2101/00
 See application file for complete search history.

(57) **CLAIM**

The ornamental design for a camera for automobile, as shown and described.

DESCRIPTION

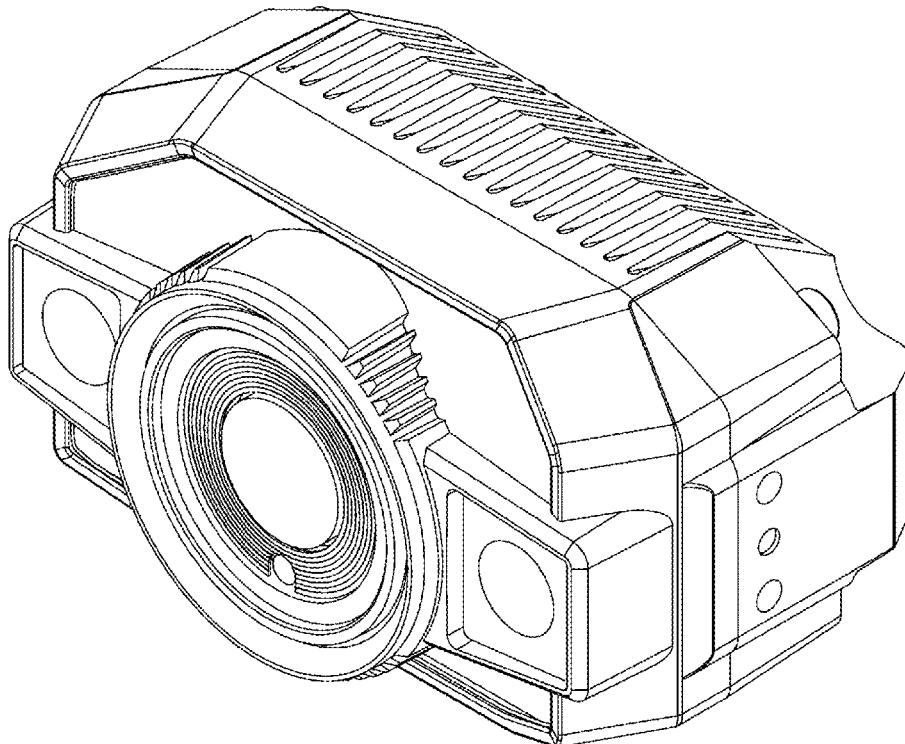
FIG. 1 is a front perspective view of a camera for automobile showing my new design.
 FIG. 2 is a front elevation view thereof.
 FIG. 3 is a back elevation view thereof.
 FIG. 4 is a left side elevation view thereof.
 FIG. 5 is a right side elevation view thereof.
 FIG. 6 is a top plan view thereof; and,
 FIG. 7 is a bottom plan view thereof.
 The broken lines depict portions of the camera for automobile in which the design is embodied that form no part of the claimed design.

(56) **References Cited**

U.S. PATENT DOCUMENTS

D455,164 S *	4/2002	Tsang	D16/202
D624,106 S *	9/2010	Cho	D16/203
D647,933 S *	11/2011	Raken	D16/202

1 Claim, 4 Drawing Sheets



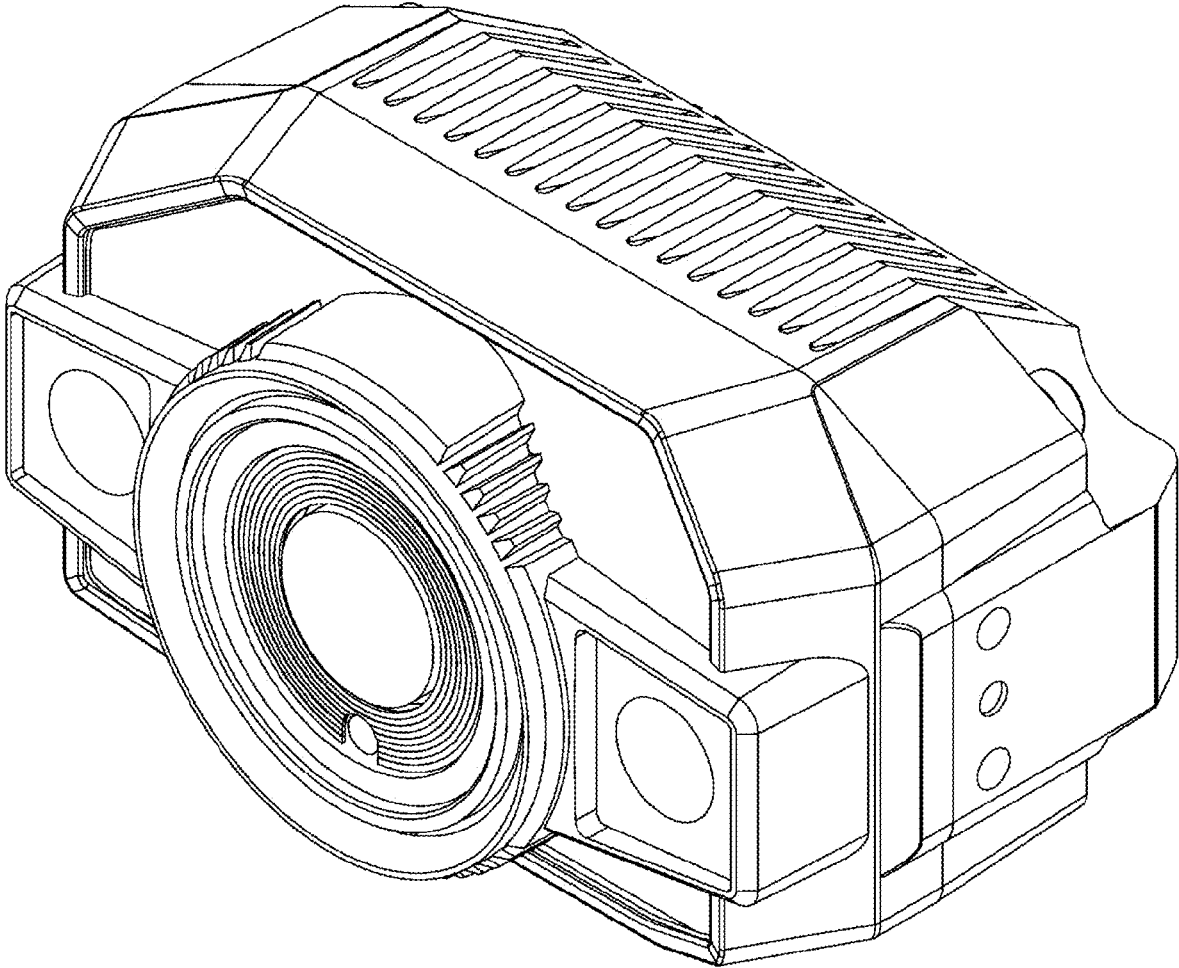


FIG. 1

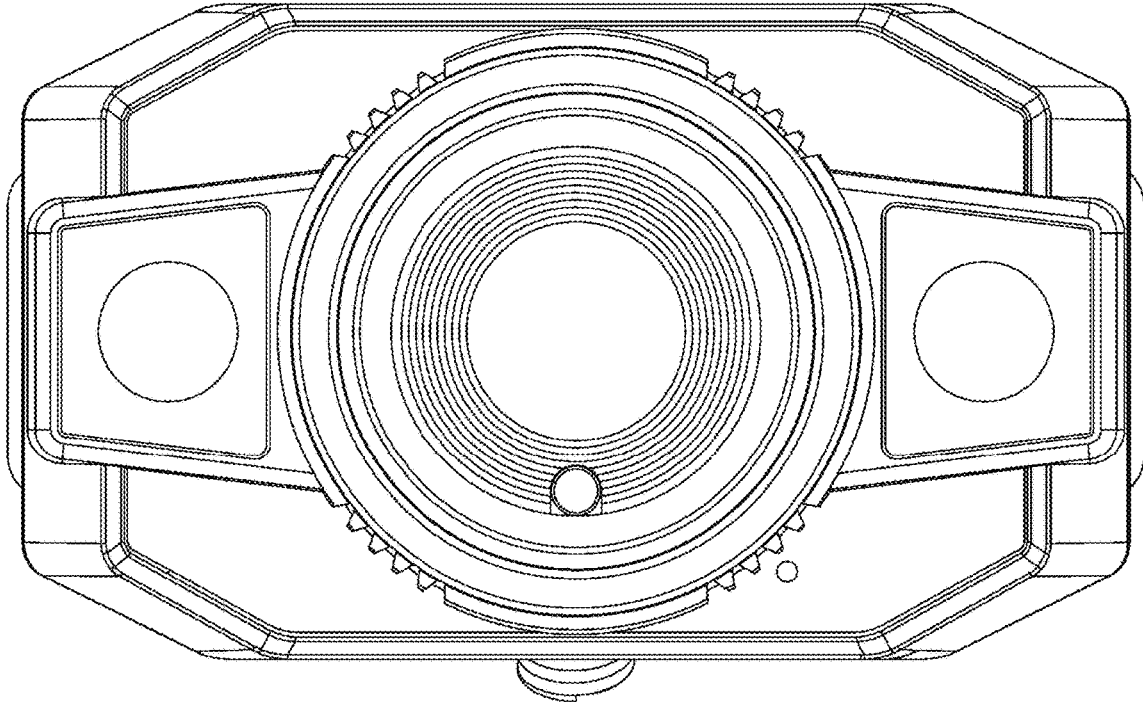


FIG. 2

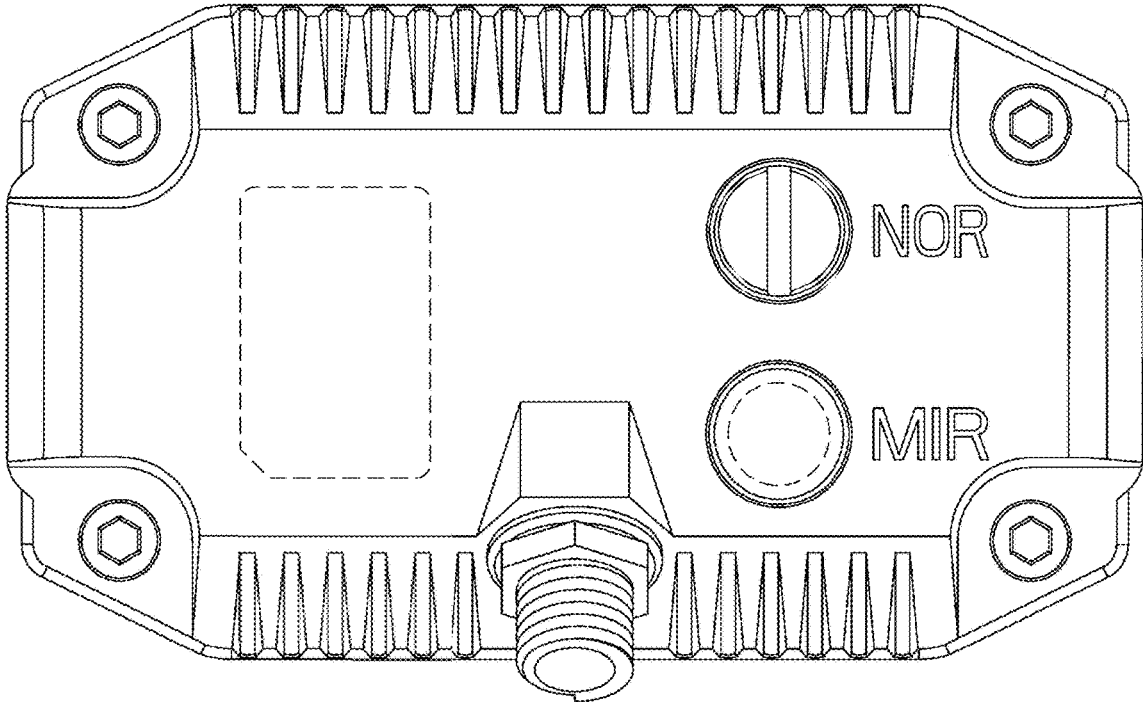


FIG. 3

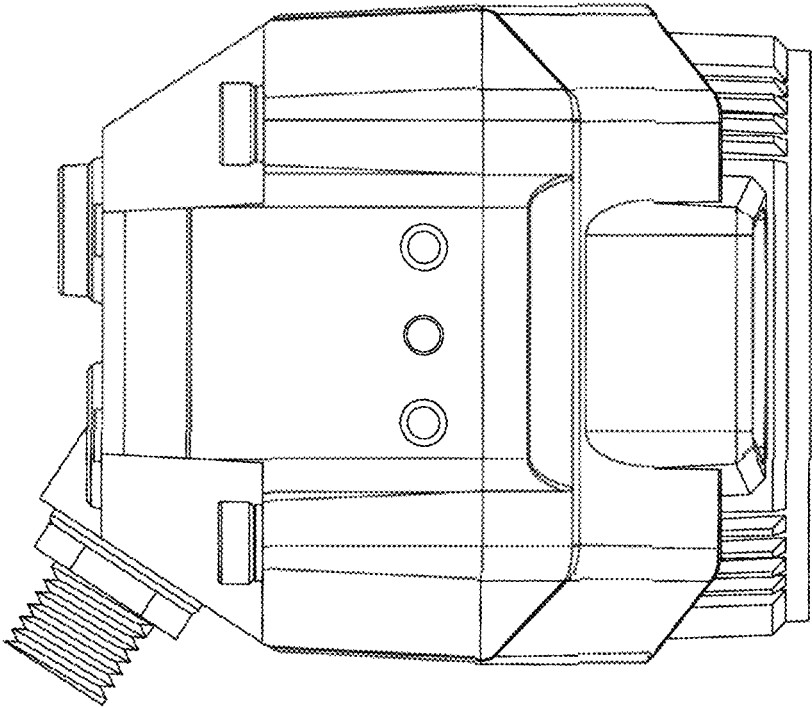


FIG. 4

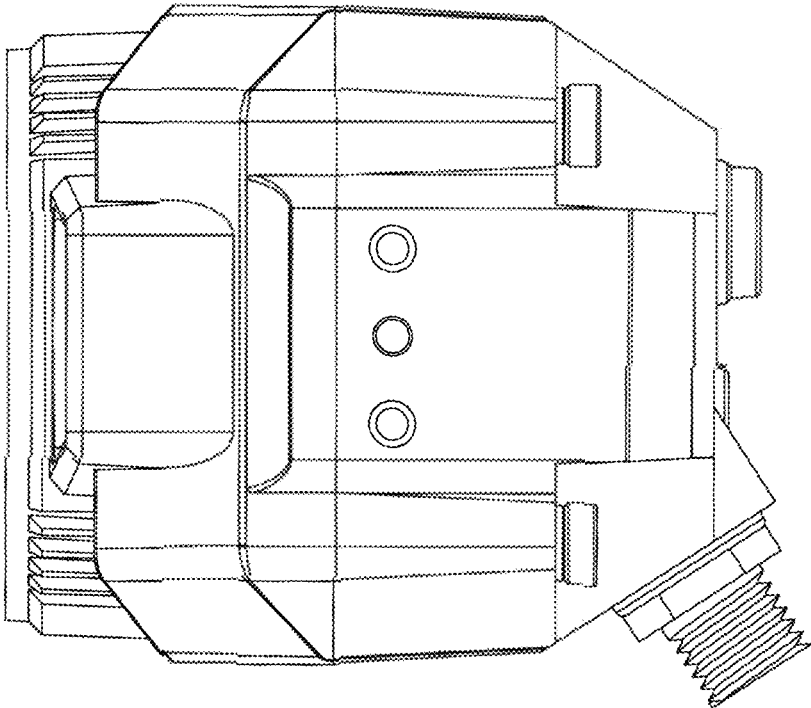


FIG. 5

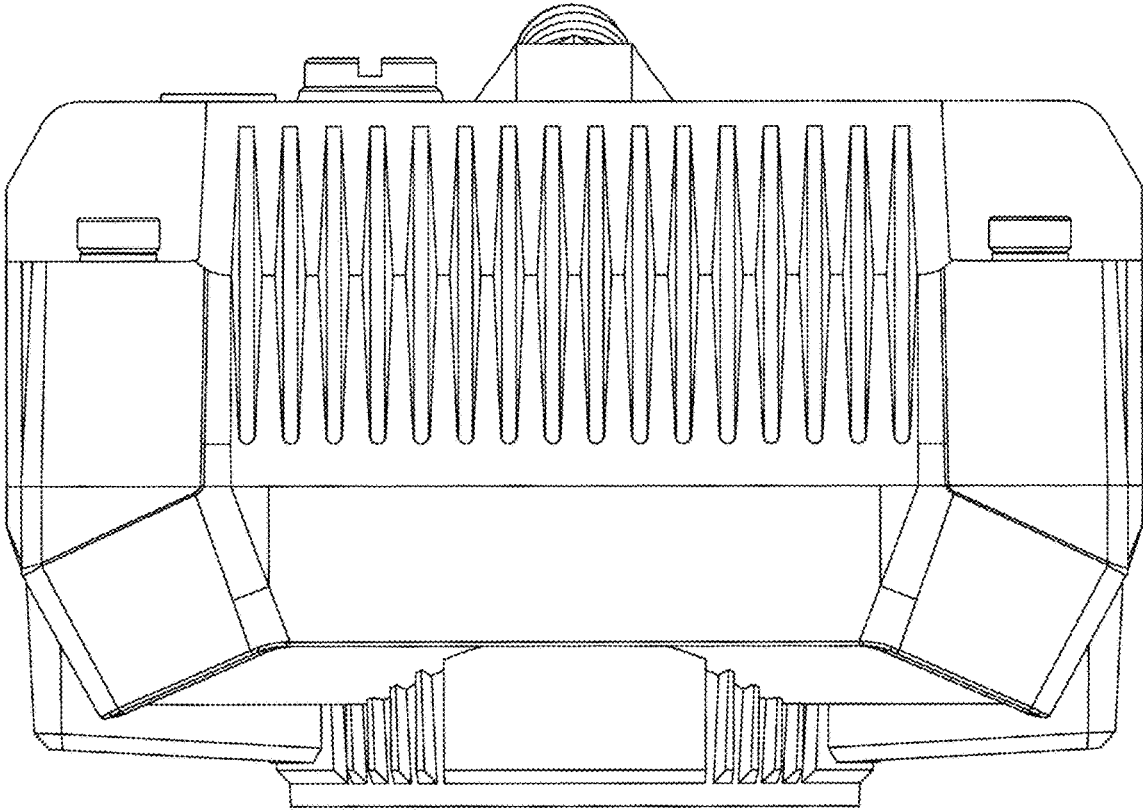


FIG. 6

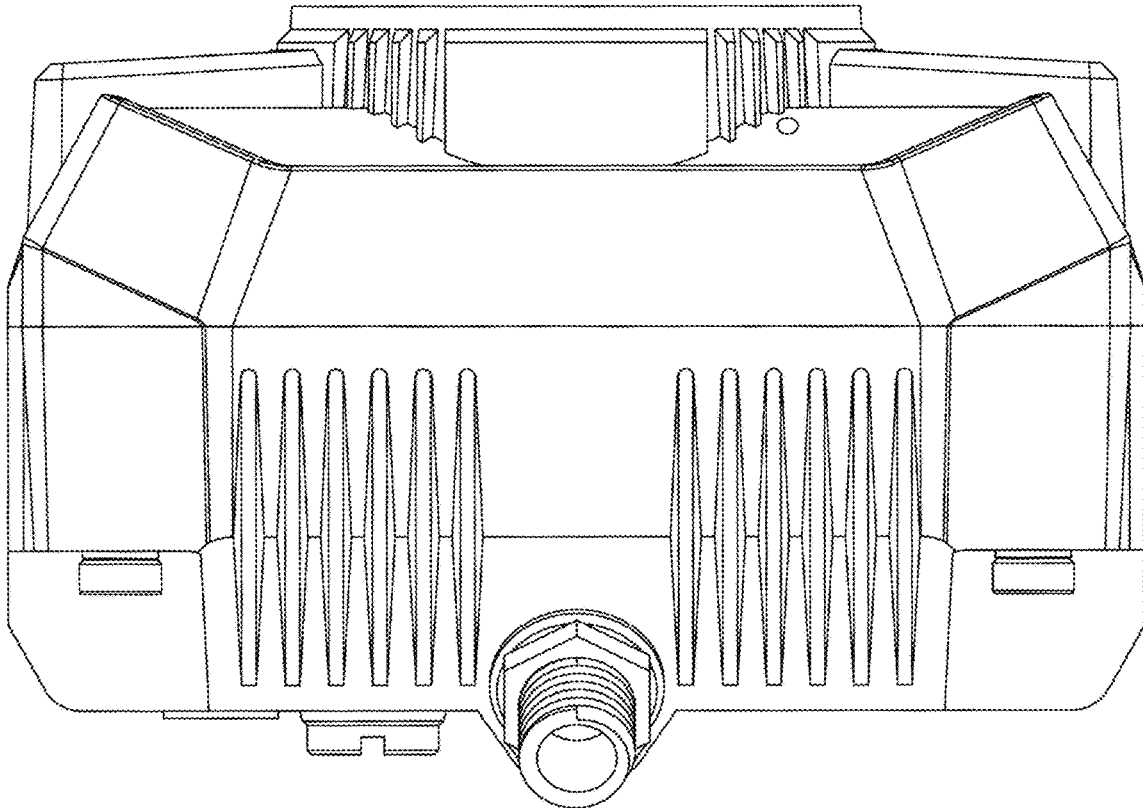


FIG. 7