



US00D992659S

(12) **United States Design Patent**
Liu

(10) **Patent No.:** **US D992,659 S**

(45) **Date of Patent:** **** Jul. 18, 2023**

(54) **ADJUSTABLE BARBELL**

FOREIGN PATENT DOCUMENTS

(71) Applicant: **OHFG**
TECHNOLOGIES(SHANGHAI) CO.,
LTD., Shanghai (CN)

CN 307430946 * 7/2022
CN 307691318 * 11/2022

(72) Inventor: **Ping Liu,** Shanghai (CN)

(**) Term: **15 Years**

(21) Appl. No.: **29/854,942**

(22) Filed: **Sep. 29, 2022**

(51) **LOC (14) Cl.** **21-02**

(52) **U.S. Cl.**
USPC **D21/681**

(58) **Field of Classification Search**
USPC D30/160; D21/662, 680, 681, 682, 683,
D21/684
CPC A63B 21/06; A63B 21/00065; A63B
21/00069; A63B 21/072; A63B 21/0722;
A63B 21/0724; A63B 21/0726; A63B
21/075; A63B 21/4035; A63B 21/0602;
A63B 21/0603; A63B 24/0062; A63B
21/0728; A63B 21/0604; A01K 15/025;
A01K 15/026

See application file for complete search history.

(56) **References Cited**

U.S. PATENT DOCUMENTS

7,811,213 B2 * 10/2010 Chen A63B 21/0728
482/107
7,981,012 B1 * 7/2011 Krull A63B 21/0728
482/107
8,002,678 B1 * 8/2011 Krull A63B 21/0728
482/93
9,795,822 B2 * 10/2017 Smith A63B 24/0087
11,007,397 B2 * 5/2021 Liu A63B 21/4035
D948,642 S 4/2022 Lu

(Continued)

OTHER PUBLICATIONS

BowFlex 2080 Barbell, available on bowflex.com, Wayback machine date Jun. 17, 2020, oldest customer review with photo 2020, [site visited Feb. 3, 2023], URL: <https://web.archive.org/web/20200617204546/https://www.bowflex.com/selecttech/2080-barbell/100874.html> (Year: 2020).*

(Continued)

Primary Examiner — Cary M Robinson
Assistant Examiner — Emily Anna Saunders

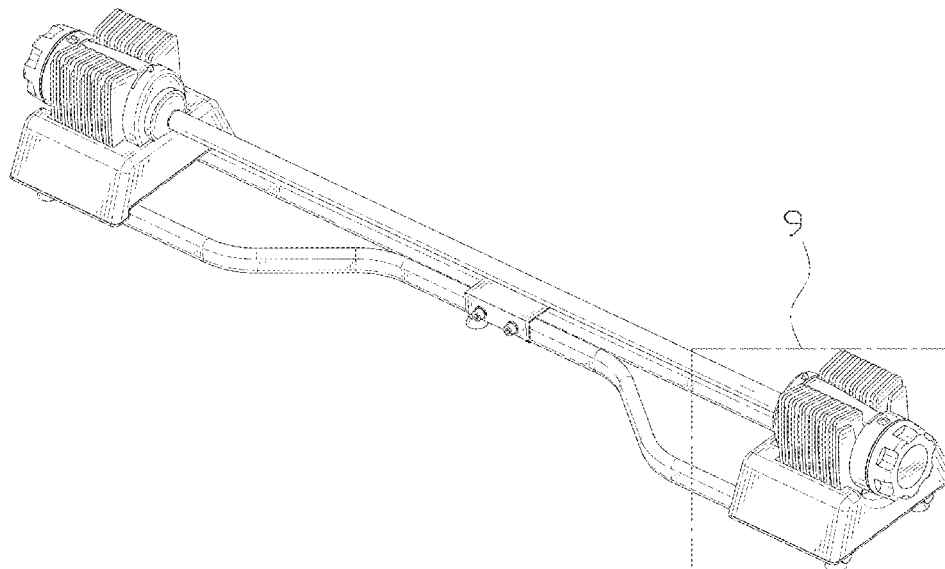
(57) **CLAIM**

The ornamental design for an adjustable barbell, as shown and described.

DESCRIPTION

FIG. 1 is a front, top perspective view of the adjustable barbell, showing my new design;
FIG. 2 is a rear, bottom perspective view thereof;
FIG. 3 is a front elevation view thereof;
FIG. 4 is a rear elevation view thereof;
FIG. 5 is a left side elevation view thereof;
FIG. 6 is a right side elevation view thereof;
FIG. 7 is a top plan view thereof;
FIG. 8 is a bottom plan view thereof;
FIG. 9 is an enlarged view of the area labeled 9 in FIG. 1;
FIG. 10 is an enlarged view of the area labeled 10 in FIG. 2; and,
FIG. 11 is an enlarged view of the area labeled 11 in FIG. 3.
The dash dot dash broken lines of the adjustable barbell in FIGS. 1, 2, and 3 illustrate a boundary and cut line of the enlarged views in FIGS. 9, 10 and 11 and form no part of the claimed design.

1 Claim, 11 Drawing Sheets



(56)

References Cited

U.S. PATENT DOCUMENTS

2004/0162197 A1* 8/2004 Towley A63B 21/0722
482/106
2006/0189458 A1* 8/2006 Walkerdine A63B 21/0728
482/106
2007/0167300 A1* 7/2007 Krull A63B 21/075
482/107
2008/0146420 A1* 6/2008 Chen A63B 21/0728
482/108
2017/0252599 A1* 9/2017 Wang A63B 21/0726
2020/0306578 A1* 10/2020 Pohl A63B 21/078
2020/0398100 A1* 12/2020 Wang A63B 21/078
2022/0088432 A1* 3/2022 Wang A63B 71/0036

OTHER PUBLICATIONS

Smartbar Set, available on shop.lesmills.com, Wayback Machine date Feb. 25, 2022, [site visited Feb. 3, 2023], URL: <https://web.archive.org/web/20220225194757/https://shop.lesmills.com/us/smartbar-weight-set-bar> (Year: 2022).*

* cited by examiner

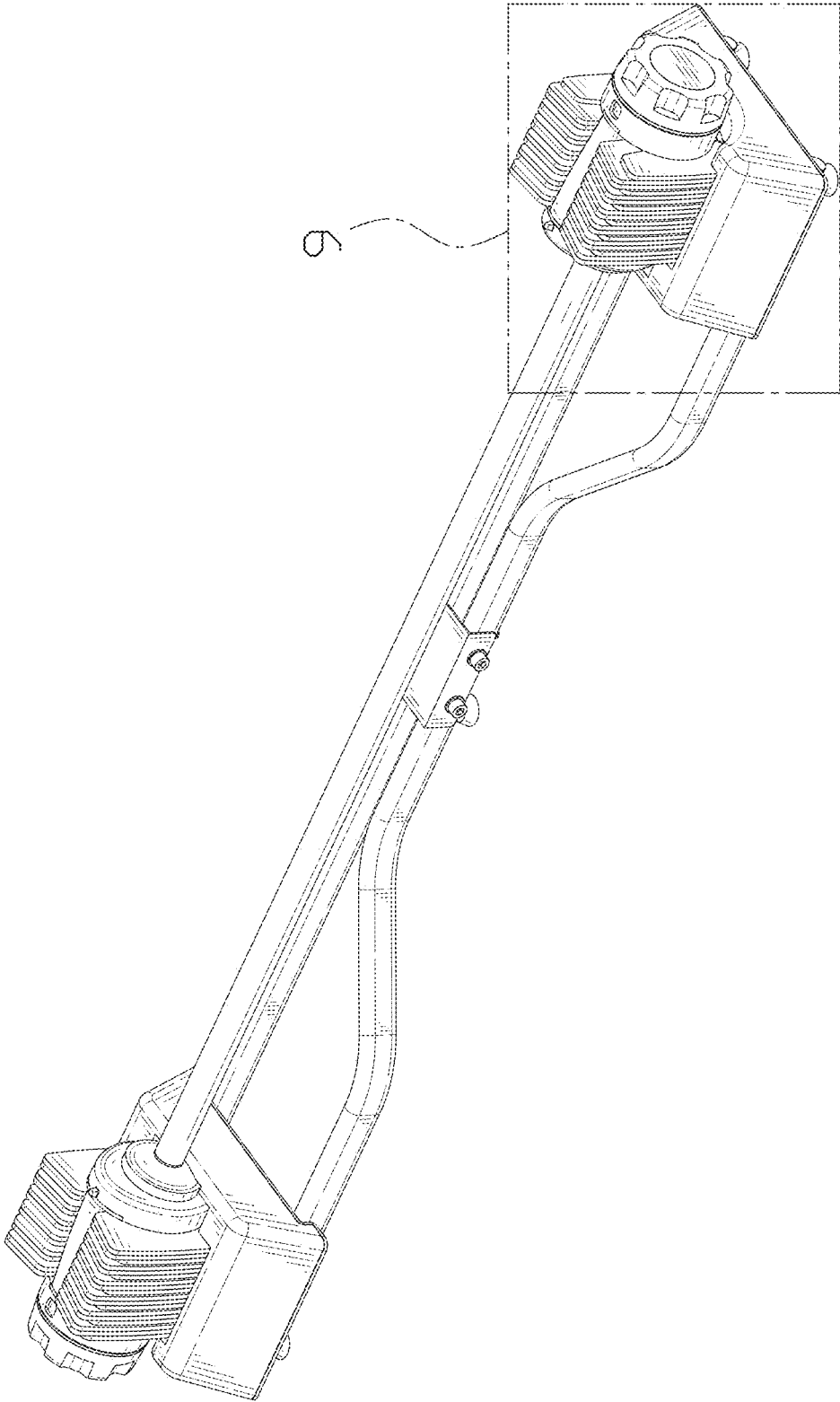


FIG. 1

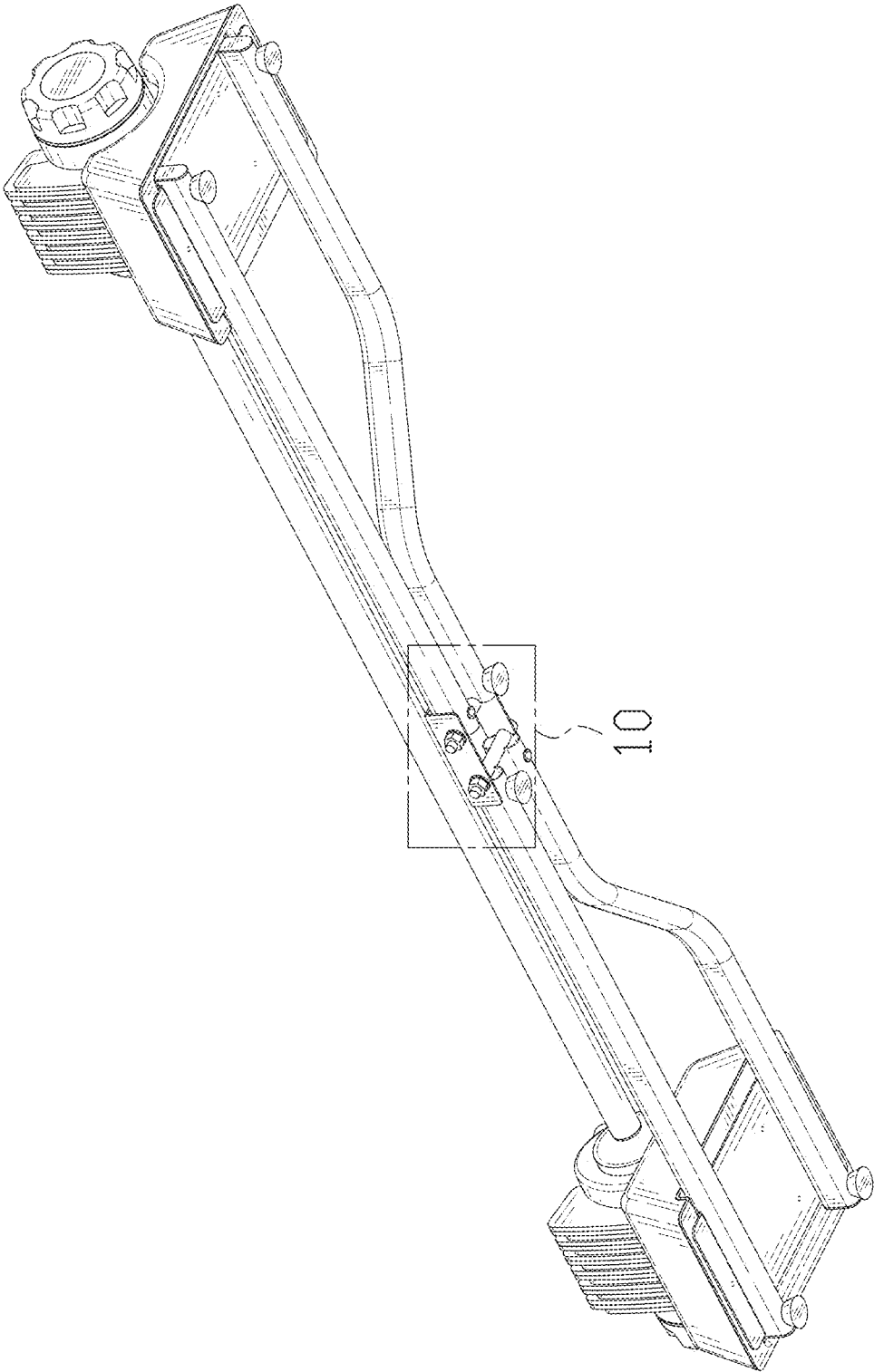


FIG. 2

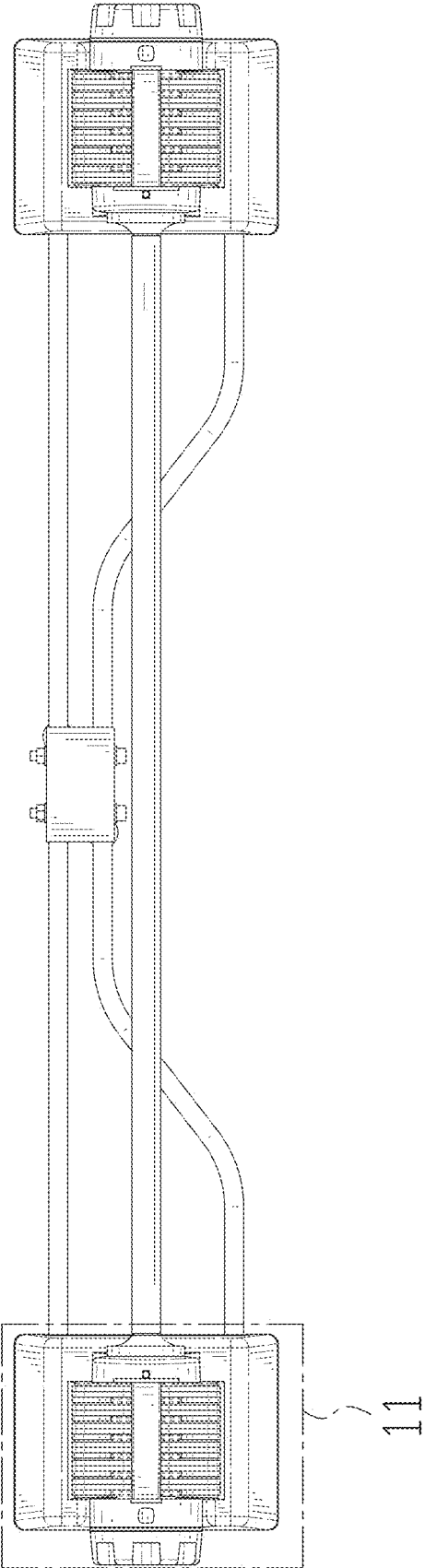


FIG. 3

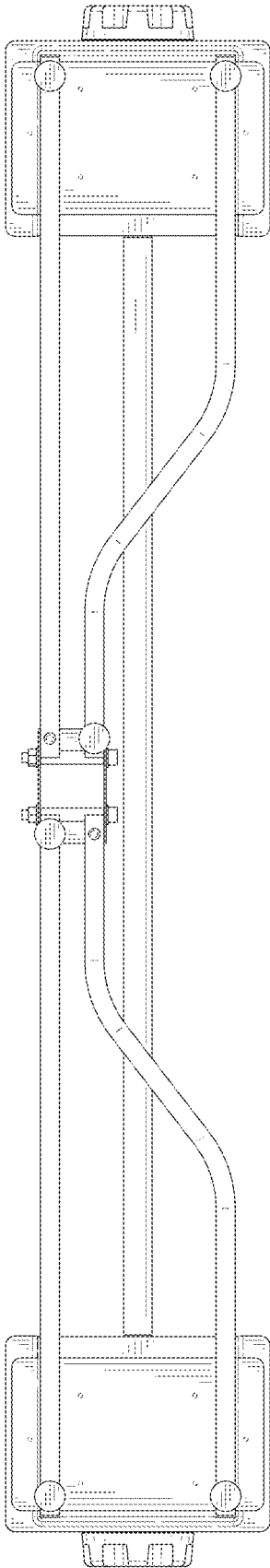


FIG. 4

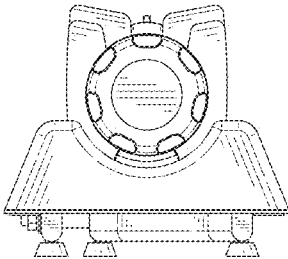


FIG. 5

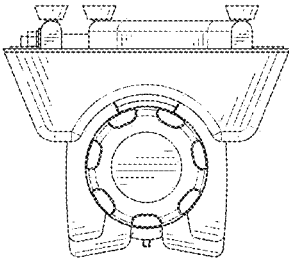


FIG. 6

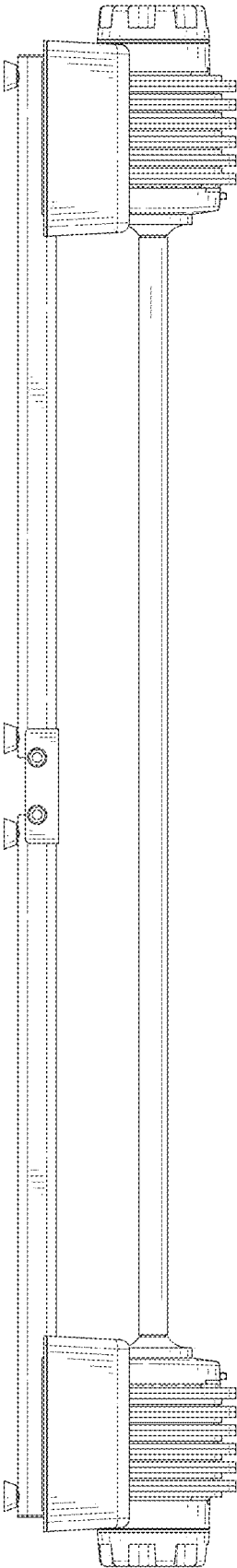


FIG. 7

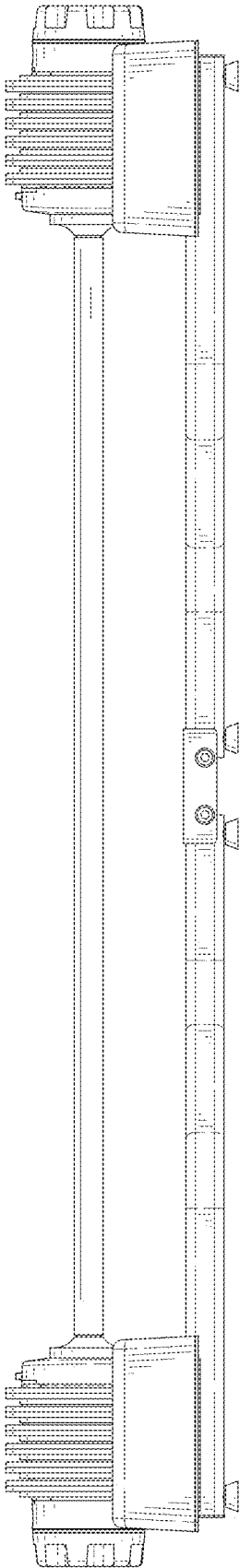


FIG. 8

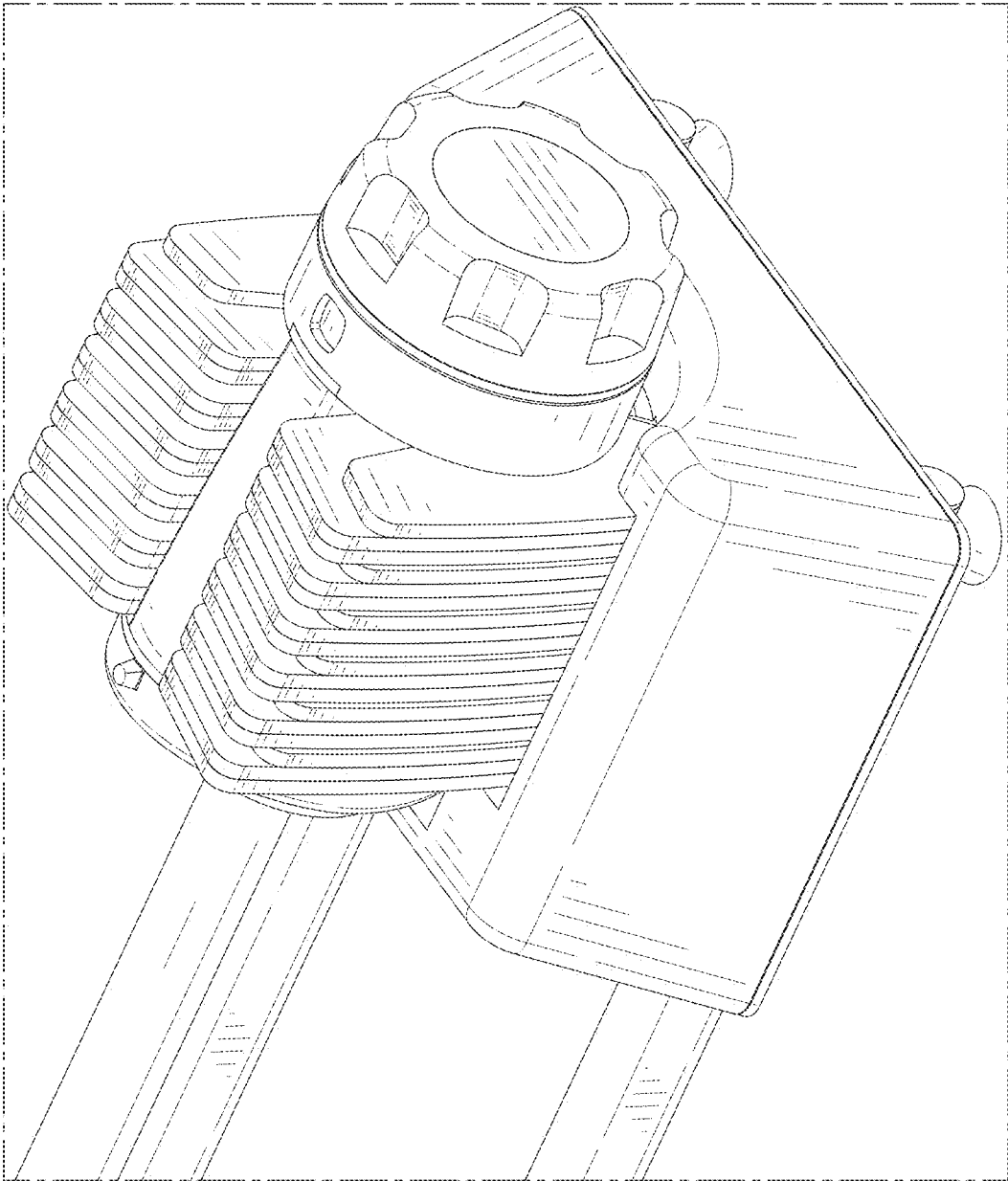


FIG. 9

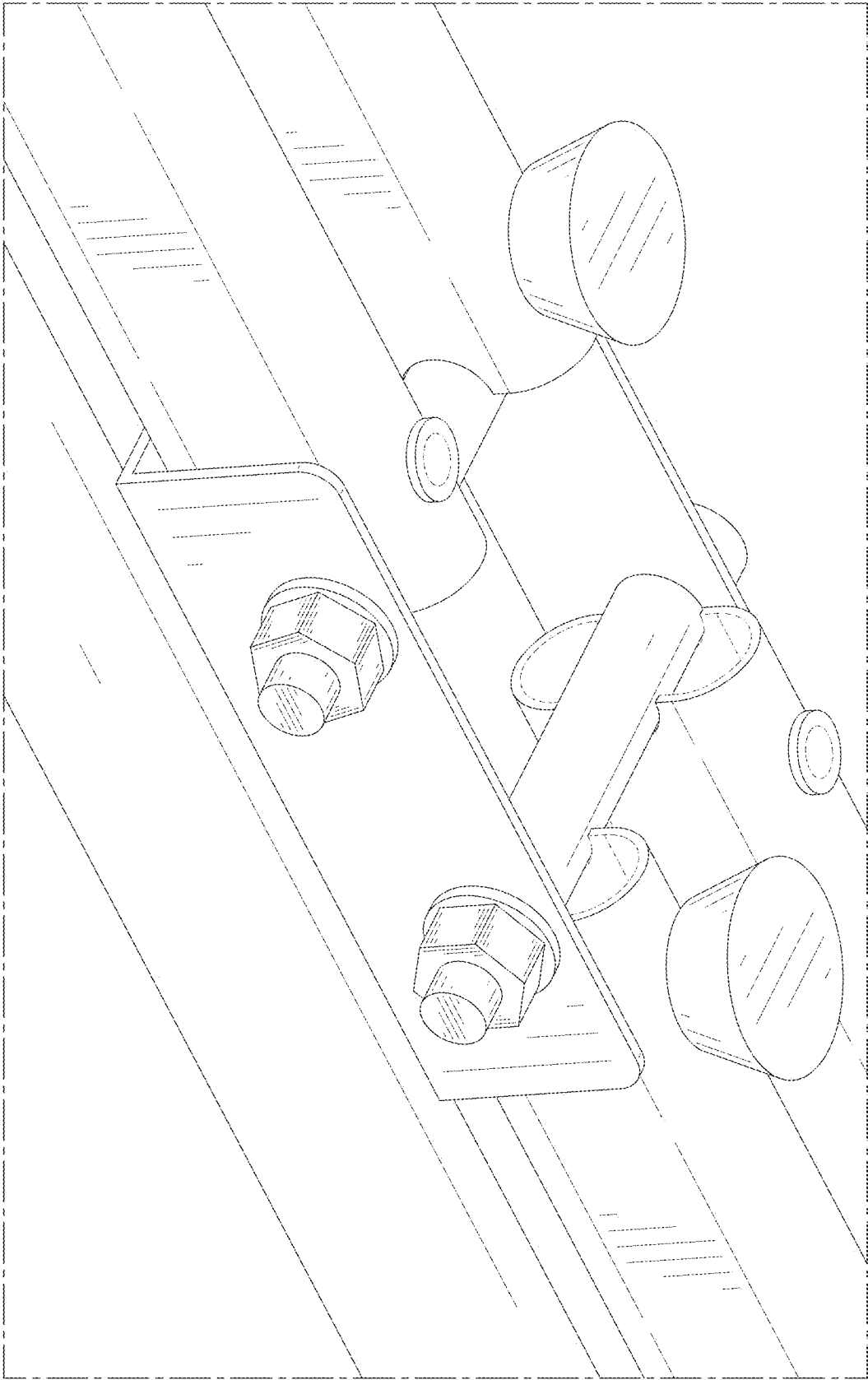


FIG. 10

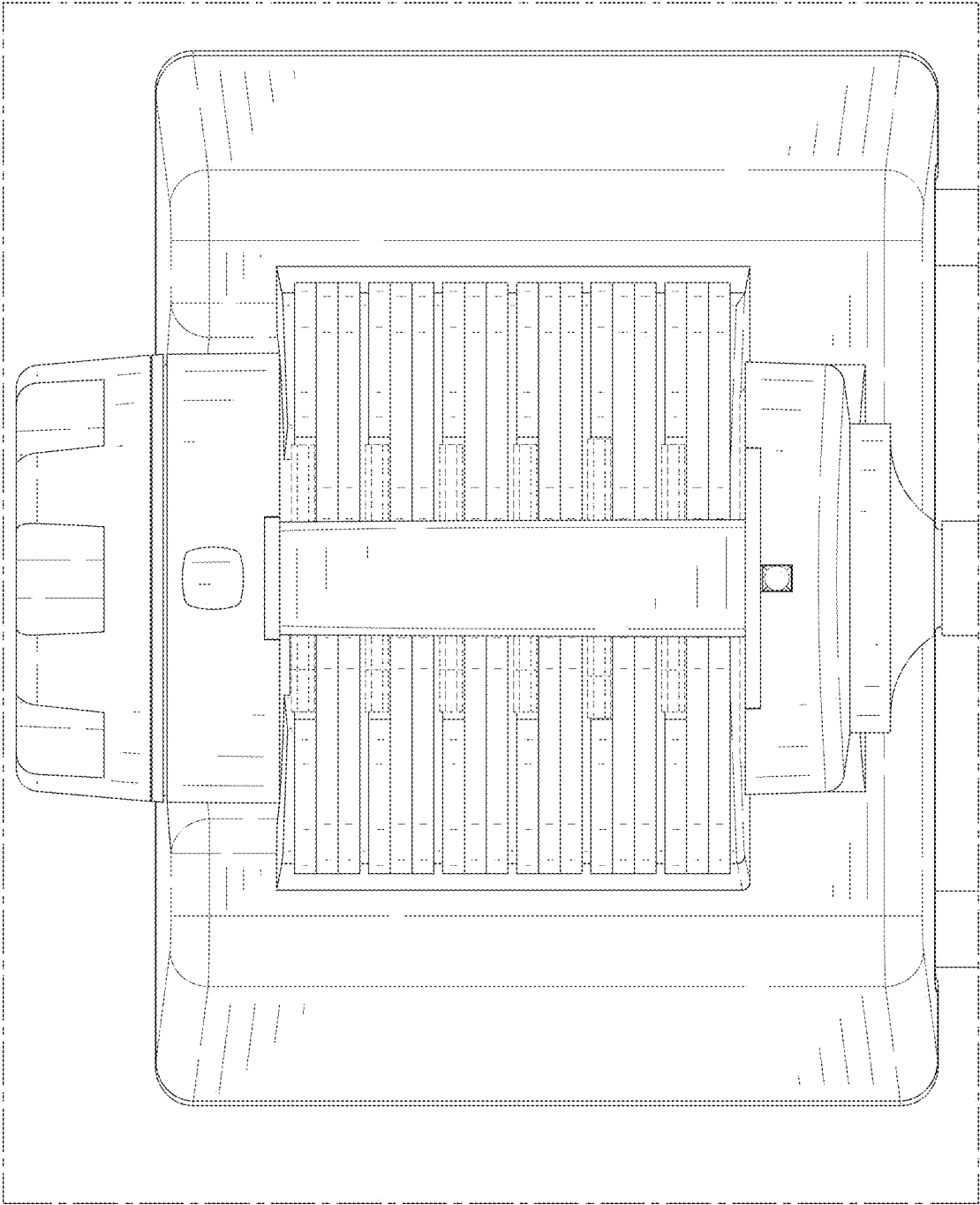


FIG. 11