



US00D745662S

(12) **United States Design Patent**
Chen

(10) **Patent No.:** **US D745,662 S**

(45) **Date of Patent:** **** Dec. 15, 2015**

(54) **BLOOD COLLECTION DEVICE**

(71) Applicant: **Theranos, Inc.**, Palo Alto, CA (US)

(72) Inventor: **Michael Chen**, Palo Alto, CA (US)

(73) Assignee: **Theranos, Inc.**, Palo Alto, CA (US)

(**) Term: **14 Years**

(21) Appl. No.: **29/466,436**

(22) Filed: **Sep. 8, 2013**

(51) **LOC (10) Cl.** **24-02**

(52) **U.S. Cl.**
USPC **D24/112**

(58) **Field of Classification Search**
USPC D24/112-114, 127, 130, 121, 108, 111,
D24/167, 169; 604/6.01, 6.02, 6.04, 6.05,
604/6.15, 131, 148, 264, 263, 198, 317,
604/319, 326; 600/578, 573, 576, 577
CPC A61B 5/15; A61B 5/00
See application file for complete search history.

2005/0149090 A1* 7/2005 Morita et al. 606/181
2012/0143151 A1* 6/2012 Low et al. 604/263
2013/0197332 A1* 8/2013 Lucisano et al. 600/345
2014/0073990 A1* 3/2014 Holmes et al. 600/575

OTHER PUBLICATIONS

Office Action dated Nov. 21, 2014 for U.S. Appl. No. 29/466,434.
Office Action dated Nov. 21, 2014 for U.S. Appl. No. 29/466,435.
Office Action dated Nov. 21, 2014 for U.S. Appl. No. 29/466,437.
Advisory Action dated Jun. 18, 2015 for U.S. Appl. No. 29/466,437.
Advisory Action dated Jul. 1, 2015 for U.S. Appl. No. 29/466,434.
Office Action dated Apr. 27, 2015 for U.S. Appl. No. 29/466,434.
Office Action dated Apr. 27, 2015 for U.S. Appl. No. 29/466,435.

* cited by examiner

Primary Examiner — David Muller
Assistant Examiner — Nathan Johnston

(57) **CLAIM**
The ornamental design for a blood collection device, as shown and described.

DESCRIPTION

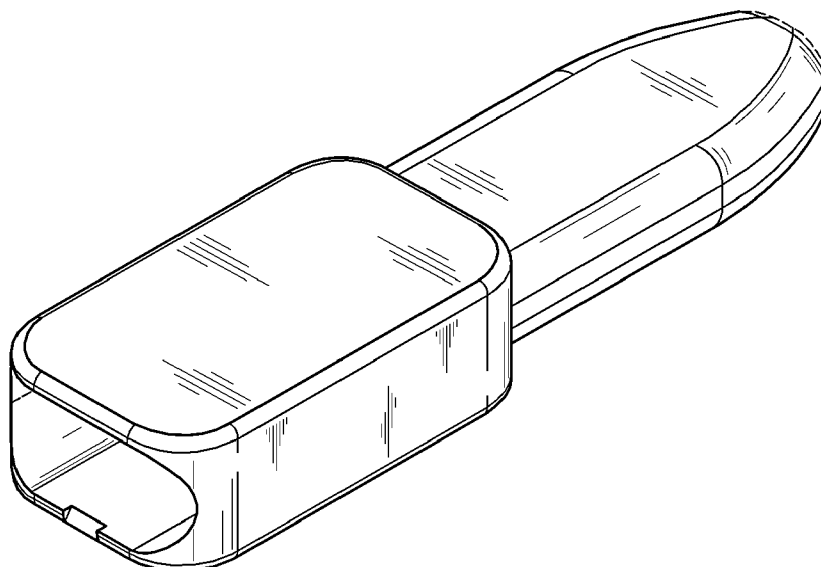
FIG. 1 is a top perspective view of a blood collection device, showing our new design;
FIG. 2 is a bottom perspective view of a blood collection device;
FIG. 3 is a side view thereof; and,
FIG. 4 is a proximal end view thereof.
The broken lines are included for the purpose of illustrating unclaimed portions of the blood collection device and form no part of the claimed design.

1 Claim, 2 Drawing Sheets

(56) **References Cited**

U.S. PATENT DOCUMENTS

5,504,011 A * 4/1996 Gavin et al. 436/69
6,027,459 A * 2/2000 Shain et al. 600/573
7,976,778 B2 * 7/2011 Drucker et al. 422/68.1
8,204,568 B2 * 6/2012 Matsumoto et al. 600/347
8,308,748 B2 * 11/2012 Young et al. 606/182
8,366,729 B2 * 2/2013 Levaughn et al. 606/181
8,383,041 B2 * 2/2013 Ruhl et al. 422/66
8,647,269 B2 * 2/2014 Nelson et al. 600/301
8,702,624 B2 * 4/2014 Alden 600/583



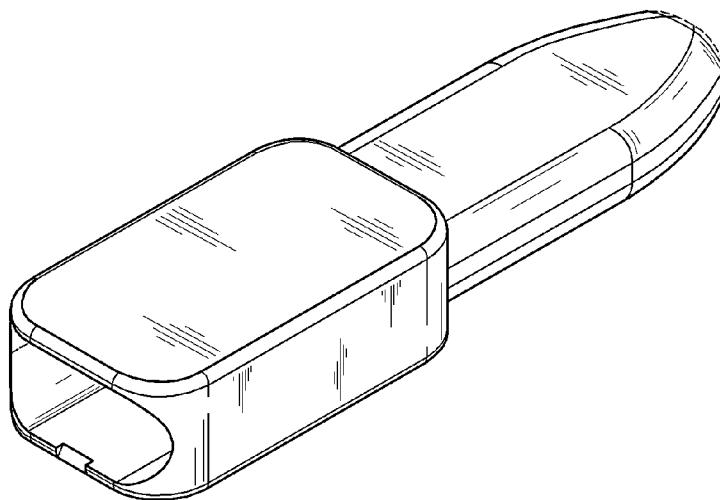


FIG. 1

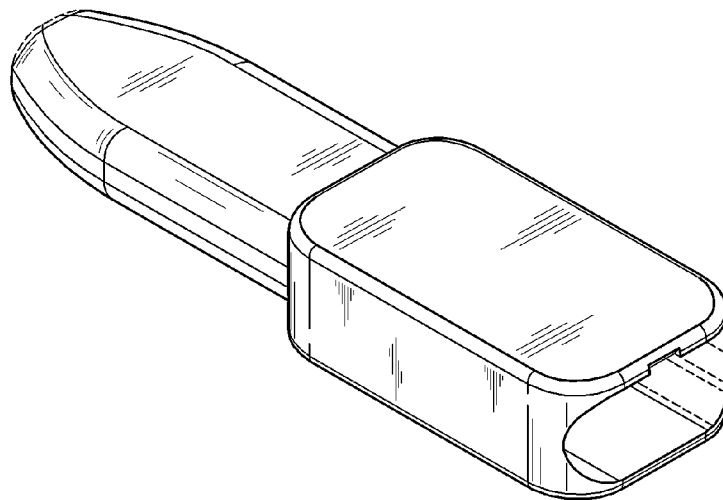


FIG. 2

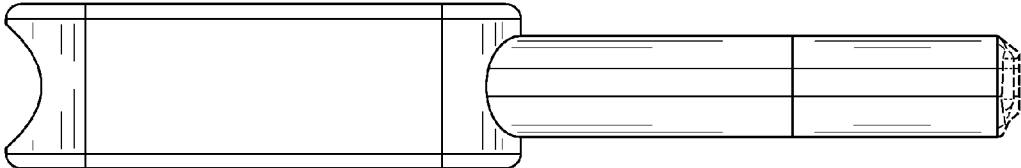


FIG. 3

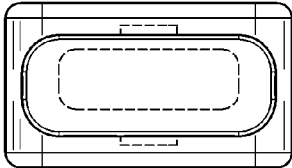


FIG. 4